

FOCUS ON QUALITY
YOUR LIFT EXPERT



CATALOGUE APRIL 2022

WELCOME



ALEXANDER STINGL
Managing Director
of Stingl GmbH and
Stingl Systems GmbH



DIRK SCHÖFFLER
Managing Director of
Stingl Systems GmbH

ABOUT THE COMPANY

Stingl is a well respected name in the specialised area of lift shaft and escalator equipment. Stingl Systems represents the operating arm for all international business relations.

Our firm has been supplying lift companies and building contractors with high quality products in Germany and the rest of Europe for more than 40 years.

Long-standing experience in the lift industry and our complete customer-orientation enable us to guarantee the reliable execution of orders and just-in-time delivery of our products on site or stock.

SINCE 1979 PROVIDING PROFESSIONAL SERVICE TO OUR CLIENTS

Leonhard Stingl founded his still family-owned company more than 40 years ago. The pillars on which Stingl established the company are years of work experience and dedication in the lift industry, particularly in the areas of design and sales.

In March 1997, Stingl relocated its operations and is now headquartered in Obersulm-Willsbach, Germany in the well-known wine region in the state of Baden- Württemberg. The premises comprise 1.150 square meters of office and warehouse space.

Stingl is proud that small and large lift companies have been loyal partners for many years. Undoubtedly, this loyalty is the result of our company's know-how combined with a strong service orientation.

OUR PRODUCT RANGE

Stingl Systems GmbH supplies safety relevant products like lift shaft inserts, retrofit products, LED-systems and lift components.

In addition, the product line comprises safety barriers and escalator accessories. Many Stingl products are certified by official health and safety bodies (e.g. TUEV, Bau-BG) and comply with DIN EN81 requirements.

Besides our standard product range, Stingl is also known for its capabilities regarding tailor-made solutions for lift industry customers.



CONTENT

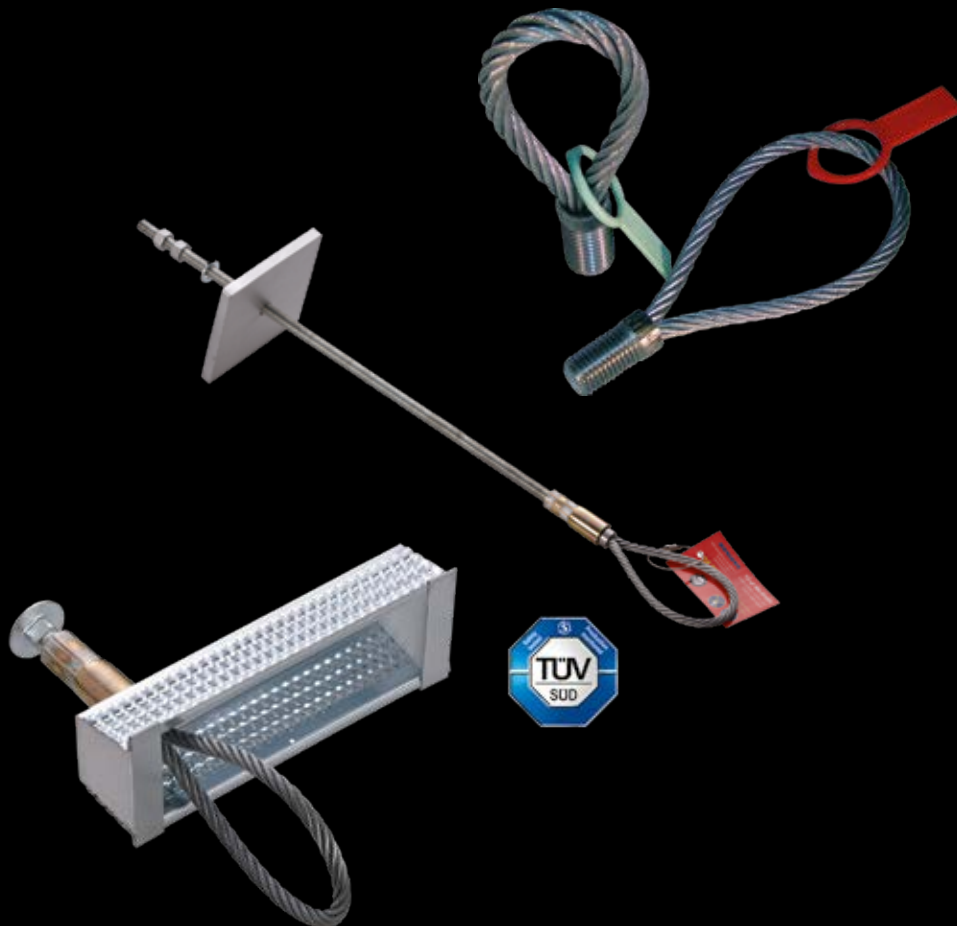


1	LOAD HOOK SYSTEMS	6	
2	ANCHOR CHANNELS & T-HEAD BOLTS	18	
3	SHAFT SAFETY	26	
4	WORK PLATFORMS	32	
5	PIT LADDERS	42	
6	LADDERS FOR FITTERS	52	
7	LIFT MODERNISATION	56	
8	ELEVATOR LIGHT CURTAIN	70	
9	SHAFT SMOKE EXHAUST SYSTEMS AND VENTILATION	72	
10	PROTECTIVE DRAPES AND INTERIOR	76	
11	LED LIGHTING SYSTEMS	80	
12	SHAFT LIGHTING	92	
13	CONTROL UNITS AND SWITCHES	98	
14	LIFT BUFFERS	104	
15	GUIDE RAIL LUBRICATORS AND OIL COLLECTORS	108	
16	ACCESSORIES FOR ESCALATORS	112	
17	WIRE ROPE TRACTION HOISTS	116	
18	EMERGENCY CALL SYSTEMS	120	
19	REENGINEERED DRIVES	128	
20	LOAD MEASUREMENT	130	
21	HANDRAIL SYSTEMS	134	
22	SIGNS, LABELS, WARNING NOTICES	138	
23	HYGIENE	142	
24	MISCELLANEOUS	146	
25	INDEX	156	

LOAD HOOK SYSTEMS

We have the right solution for all requirements and construction conditions: PFEIFER waved and flat-steel anchors for installation in the ceilings of lift machine rooms and shaft head areas safely transmit introduced forces to the concrete. PFEIFER lifting loops are tested, mismatch-safe lifting aids for the aforementioned load anchors. The tried-and-tested properties of high-quality steel wire rope

and a large load-bearing cross-section in conjunction with the proven steel press connection ensure a high load-carrying capacity, high flexibility, a long lifetime, and safe work. Data signs with load-bearing information, testing anchors, and slings complement our range in the field of ceiling hook systems.



HEART OF DOHA / QATAR



Sophie James/Shutterstock

The development of the centre of Doha – the capital of Qatar – is an ambitious, high-prestige project. Shaped by renowned architect's offices, the representative synthesis of residential and commercial buildings in line with international stand-

ards is particularly impressive with regard to its technical design. Stingl is involved in the "Heart of Doha" project thanks to its ceiling hook systems for lift shafts.

LOAD HOOK SYSTEMS

Waved Anchor	9	Lifting Loop LSG for Through-Type Mounting	15
Flat Steel Anchor Short	9	Lifting Loop LSP for Dowel Mounting	16
Flat Steel Anchor Long	10	Lifting Loop LSV for Recessed Installation	16
Lifting Loop	10	Load Eye for the Temporary Attachment of Loads	17
Pre-Assembled Load Anchor	11	HLX Lift-Box	17
Anchor Point	11		
Data Sign for Load Points	12		
Load Testing Anchor	12		
Lifting Loop LSF for Insertion Into Formwork	14		

WAVED ANCHOR

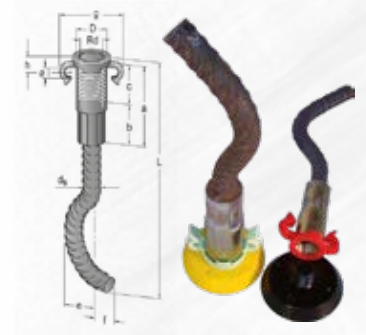
PFEIFER waved anchors are proven load hooks out of the PFEIFER System.

Due to their design, the safe transmission of forces into the concrete is guaranteed.

Item No.	max. carrying capacity (kN)	perm. F Rd	D (mm)	e (mm)	ds (mm)	c (mm)	L (mm)
0421101005	5	Rd 12 x 1.75	15	15	8	21	108
0421101008	8	Rd 14 x 2.00	18	20	10	24	130
0421101012	12	Rd 16 x 2.00	21	21	12	26	167
0421101016	16	Rd 18 x 2.50	24	25	14	32	175
0421101020	20	Rd 20 x 2.50	27.2	25	16	32	187
0421101025	25	Rd 24 x 3.00	31	30	16	40	240
0421101040	40	Rd 30 x 3.50	40	40	20	50	300

Certification of adequate carrying capacity of the shaft ceiling (thickness, reinforcement, load transmission) is to be provided by the responsible planner.

Furthermore, the supplied instructions for installation and use must be followed strictly.



Details: Galvanized high grade precision steel tube swaged to waved bar, black; data clip, synthetic material; nail plate, synthetic material.

FLAT STEEL ANCHOR SHORT

The PFEIFER flat steel anchor is ideal for installation in concrete parts with low heights.

Due to its design, the flat steel plate requires the positioning of additional reinforcement bars. Thus, a safe transmission of forces into the concrete via the reinforcement is guaranteed. The flat steel anchor is available for loads between 5kN up to 125kN.

Item No.	max. carrying capacity (kN)	perm. Fz Rd	D (mm)	a (mm)	b (mm)	t (mm)	e (mm)
0401110005	5	Rd 12 x 1.75	15	35	25	3	22
0401110008	8	Rd 14 x 2.00	18	35	35	3	25
0401110012	12	Rd 16 x 2.00	21	50	35	3	27
0401110016	16	Rd 18 x 2.50	24	60	45	5	34
0401110020	20	Rd 20 x 2.50	27.5	60	60	5	35
0401110025	25	Rd 24 x 3.00	31	80	60	5	43
0401110040	40	Rd 30 x 3.50	40	100	80	6	56
0401110063	63	Rd 36 x 4.00	47	130	100	6	68
0401110080	80	Rd 42 x 4.50	54	130	100	8	80
0401110125	125	Rd 52 x 5.00	67.2	150	130	8	97

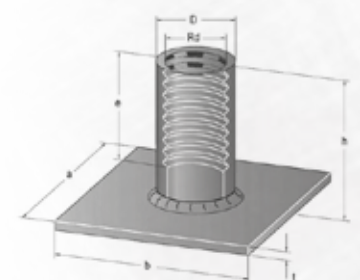
Note : 10kN (Kilo-Newton) = weight force of a mass with 1t; perm. Fz: permitted force with centric pull

Certification of adequate carrying capacity of the shaft ceiling (thickness, reinforcement, load transmission) is to be provided by the responsible planner.

Furthermore, the supplied instructions for installation and use must be followed strictly.



Details: Socket, high grade precision steel tube, welded onto flat steel ST 37-1, black or galvanized; data clip, synthetic material; recess plate, synthetic material





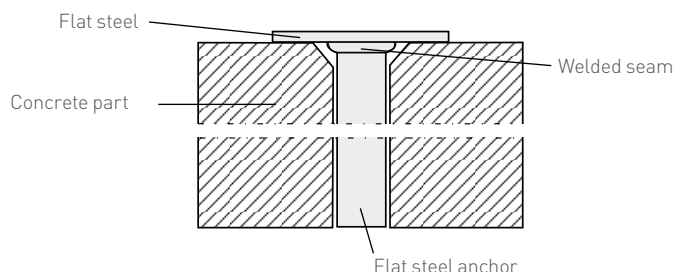
Available with an optional lifting loop

Details: Socket, high grade precision steel tube welded onto flat steel ST 37-1; overall length 256mm; galvanized

FLAT STEEL ANCHOR LONG

The long flat steel anchor is ideal for the supplementary installation in concrete parts. If access from both sides of a concrete part is possible, then the anchor can be placed with only one boring.

The maximum concrete thickness may not exceed 250 mm.



FLAT STEEL ANCHOR LONG

Item No.	max. carrying capacity (kN)
0402110012	12
0402110040	40

Certification of adequate carrying capacity of the shaft ceiling (thickness, reinforcement, load transmission) is to be provided by the responsible planner.

Furthermore, the supplied instructions for installation and use must be followed strictly.

LIFTING LOOP



Details: highly flexible, galvanized steel cable; threaded end: high grade steel, plain

PFEIFER lifting loops match perfectly with PFEIFER waved anchors and flat steel anchors. Mismatches are impossible. The reliability of the high quality steel wire rope together with the swaged steel connection offer the following advantages:

- High SWL (safety factor of 4 with respect to nominal breaking strength of wire rope)
- Great flexibility (360° suspension)
- Long life
- Safe handling
- The ferrule of the loop has a strong round external thread

Item No.	max. carrying capacity (kN)	perm. F Rd	e (mm)	h (mm)	l (mm)
0411010 005	5	Rd 12 x 1,75	20	155	27
0411010 008	8	Rd 14 x 2,00	22	155	32
0411010 012	12	Rd 16 x 2,00	25	155	36
0411010 016	16	Rd 18 x 2,50	29	190	40
0411010 020	20	Rd 20 x 2,50	33	215	45
0412010 020	20	Rd 20 x 2,50	33	120	45
0411010 025	25	Rd 24 x 3,00	40	255	54
0411010 040	40	Rd 30 x 3,50	56	300	68
0411010 063	63	Rd 36 x 4,00	67	340	81
0411010 080	80	Rd 42 x 4,50	80	425	95
0411010 125	125	Rd 52 x 5,00	97	480	117

Certification of adequate carrying capacity of the shaft ceiling (thickness, reinforcement, load transmission) is to be provided by the responsible planner.

Furthermore, the supplied instructions for installation and use must be followed strictly.



PRE-ASSEMBLED LOAD ANCHOR

The assembly-load anchor is especially suitable for use in concrete parts where lifting loops cannot be screwed in easily after insertion of a waved anchor or the like.

For concrete parts with low cross sections, the PFEIFER foot-mounted anchor can be used as an alternative to the PFEIFER waved anchor (e.g. Rd20 with a minimum concrete ceiling height = 170 mm).

Waved anchor and lifting loop are glued together, building a reliable screw combination which can be loosened only by using a heavy tool.

Item No.	Description	max. carrying capacity (kN)
00205160001	with waved anchor	16
00205200001	with waved anchor	20
00205200002	with flat steel anchor	20
00205200004	with foot anchor	20
00205400002	with flat steel anchor	40
00205400004	with foot anchor	40

Certification of adequate carrying capacity of the shaft ceiling (thickness, reinforcement, load transmission) is to be provided by the responsible planner.

Furthermore, the supplied instructions for installation and use must be followed strictly.



Details PFEIFER foot-mounted anchor: Height: 165 mm (Rd 20), special nail plate, data clip, lifting loop, completely assembled



Details PFEIFER waved anchor: height: 169 mm (16 kN) or 189 mm (20 kN) respectively

ANCHOR POINT

FOR SUPPLEMENTARY INSTALLATION IN LIFT SHAFT AND DRIVE ROOM CEILINGS WITHOUT TOP ACCESS

Max. load (kN)	12	20	25	40
Centric pull Fz				
(1) Dowel fixing	2 x anchor dowels HILTI HST-M16 (or equiv.), galvanised	4 x anchor dowels HILTI HST-M16 (or equiv.), galvanised	4 x anchor dowels HILTI HST-M16 (or equiv.), galvanised	4 x anchor dowels Fischer FAZ II M20 (or equiv.), galvanised
(2) To put under steel plate	2 x washer 17x30x3 mm	4 x washer 17.5x50x5 mm	4 x washer 5x50x5 mm	4 x washer 23x80x8 mm
(3) Steel plate	100x150x15 mm	270x270x15 mm	270x270x15 mm	250x250x25 mm
(4) Flat steel anchor	RD16	RD20	RD24	RD30
(5) Lifting loop (optional)	RD16	RD20	RD24	RD30

CONCRETE REQUIREMENTS: • strength class: \geq C20/25 • tensile area/cracked concrete • min. element thickness: 160 mm • no edge reinforcement • dense reinforcement (axial distance of the reinforcement \leq 15 cm)

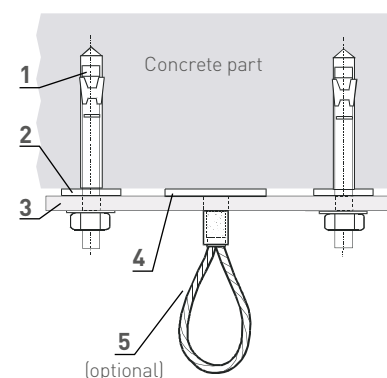
Edge and center distances as well as other provisions by the manufacturer must be followed exactly. This includes also the transmission of forces within the structural part.

Item No.	max. carrying capacity (kN)
00204120001	12
00204200001	20
00204250001	25
00204400001	40

Certification of adequate carrying capacity of the shaft ceiling (thickness, reinforcement, load transmission) is to be provided by the responsible planner.

Furthermore, the supplied instructions for installation and use must be followed strictly.

The lifting loop is optional and therefore not included in the scope of delivery. It can, however, be ordered separately.





1

Details: PVC nail plate; metal chain or cable tie; synthetic data sign



2

Data sign cable tie

DATA SIGN FOR LOAD POINTS

Load points can be found in lift shaft and drive room ceilings. Stingl data signs allow the easy identification of the maximum capacity of a load point (waved anchor, flat steel anchor) and therefore facilitate the choice of the appropriate lifting loop during servicing or modernisation of a lift.

This product perfectly fulfils DIN EN81-20 paragraph 5.2.1.7 requirements on the identification of load points.

The data signs can be used for PFEIFER load hook systems. The nail plate can be simply screwed into the respective load point opening.

DATA SIGN NAIL PLATE 1

Item No.	max. carrying capacity/imprint [kg]
1301005000	500 kg
1301008000	800 kg
1301012000	1,200 kg
1301016000	1,600 kg
1301020000	2,000 kg
1301025000	2,500 kg
1301040000	4,000 kg
1301063000	6,300 kg
1301080000	8,000 kg
1301125000	12,500 kg

DATA SIGN CABLE TIE 2

Item No.	max. carrying capacity/imprint [kg]
1303005000	500 kg
1303008000	800 kg
1303012000	1,200 kg
1303016000	1,600 kg
1303020000	2,000 kg
1303025000	2,500 kg
1303040000	4,000 kg
1303063000	6,300 kg
1303080000	8,000 kg
1303125000	12,500 kg

Certification of adequate carrying capacity of the shaft ceiling (thickness, reinforcement, load transmission) is to be provided by the responsible planner.

Furthermore, the supplied instructions for installation and use must be followed strictly.

LOAD TESTING ANCHOR

The load testing anchor is used to verify bearing capacity of already installed anchorage points in lift shaft or machine room ceilings.

INSTRUCTIONS: At first, the chosen load testing anchor is fixed to the anchorage point with the above specified loop (1). Afterwards the applicable force has to be imposed (2) to break the material at the predetermined point. The on site attachments must be sufficiently dimensioned.



Material: Steel grade 304L

Item No.	for loads up to (kg)	Breaking at about (kg)
01303050001	500	600
01303100001	1,000	1,500
01303130001	1,300	2,000
01303200001	2,000	3,000
01303260001	2,600	4,000



Lifting Loop LSF for Insertion Into Formwork	14
Lifting Loop LSG for Through-Type Mounting	15
Lifting Loop LSP for Dowel Mounting	16
Lifting Loop LSV for Recessed Installation	16
Load Eye for the Temporary Attachment of Loads	17
HLX Lift-Box	17

Machinery Directive 2006/42/EC [4] of the European Parliament and the Council of May 17, 2006, forms the basis for the development of slings and for the verification of the required levels of safety. All slings have a fixed rope loop which is secured so that it cannot come loose.

PROOFS FOR CONCRETE AND STEEL

Calculatory proof of the metallic safeties is not sufficient in order to prove a conclusive safety concept for load hooks. Many fastening points available on the market supply precisely this proof alone, however, and stop at the transition to the concrete structure.

However, it is frequently precisely the anchorage in the concrete that is the critical point. Here two standard worlds have to be combined and the global safeties proven. In all cases this is guaranteed in the case of PFEIFER products using anchoring means approved by the building authorities.



LIFTING LOOP LSF FOR INSERTION INTO FORMWORK

This consists of an anchor approved for permanent fixing in concrete and a cover plate. The LSF is installed flush-mounted in the formwork prior to concreting.

FEATURES: • Prior to concreting

NOTE: Proof of sufficient carrying capacity of the lifting device in connection with the shaft ceiling (thickness, reinforcement and load transfer) must be demonstrated by a responsible planner. Moreover, the where-installed and where-used lists supplied with the product must be observed.

Item No.	max. carrying capacity		ceiling thickness
	(kN)	(kg)	minimum (mm)
43103006001	6.0	600	140
43103012501	12.5	1,250	170
43103022501	22.5	2,250	250



LIFTING LOOP LSG FOR THROUGH-TYPE MOUNTING

This consists of a through-type element. The sling LSG is used after concreting, e.g. if renovation work is required. For the assembly, a hole must be completely drilled through the ceiling in the elevator shaft. The anchor is pushed through from below and then fully mounted.

FEATURES: • Subsequent installation

NOTE: Proof of sufficient carrying capacity of the lifting device in connection with the shaft ceiling (thickness, reinforcement and load transfer) must be demonstrated by a responsible planner. Moreover, the where-installed and where-used lists supplied with the product must be observed.

Item No.	max. carrying capacity		ceiling thickness maximum (mm)
	(kN)	(kg)	
43101005001	5.0	500	482
43101010001	10.0	1,000	476
43101017501	17.5	1,750	483
43101025001	25.0	2,500	490
43101040001	40.0	4,000	492





LIFTING LOOP LSP FOR DOWEL MOUNTING

This consists of one anchoring element. The LSP is used after concreting, e.g. if renovation work is required. It is attached to the ceiling from below using newly affixed dowels. A drilled hole/recess must be created in a suitable place on the underside of the shaft ceiling to enable the sinking in of the case which protrudes from the back.

FEATURES: • Subsequently to concreting

NOTE: Proof of sufficient carrying capacity of the lifting device in connection with the shaft ceiling (thickness, reinforcement and load transfer) must be demonstrated by a responsible planner. Moreover, the where-installed and where-used lists supplied with the product must be observed.

Item No.	max. carrying capacity		ceiling thickness (mm)
	(kN)	(kg)	
43102010001	10.0	1,000	*
43102017501	17.5	1,750	*
43102025001	25.0	2,500	*
43102040001	40.0	4,000	*

* Must be calculated depending on the dowel used



LIFTING LOOP LSV FOR RECESSED INSTALLATION

This consists of an anchor approved for permanent fixing in concrete and a protective box. The LSV is installed flush-mounted in the formwork prior to concreting. The box is then easily nailed to the formwork and opened following concreting so that the sling can be folded out.

FEATURES: • Without any perforation of the formwork

NOTE: Proof of sufficient carrying capacity of the lifting device in connection with the shaft ceiling (thickness, reinforcement and load transfer) must be demonstrated by a responsible planner. Moreover, the where-installed and where-used lists supplied with the product must be observed.

Item No.	max. carrying capacity		ceiling thickness minimum (mm)
	(kN)	(kg)	
43104010001	10.0	1,000	155
43104017501	17.5	1,750	180

LOAD EYE FOR THE TEMPORARY ATTACHMENT OF LOADS

PFEIFER lifting eyes are attachment points for the temporary attachment of material loads during assembly or maintenance work. They are intended to be used for the flat installation in ceilings made of reinforced concrete. The attachment points can be used either for the temporary attachment of material loads or for personal safety equipment. It is not permitted to use for both purposes simultaneously.

FEATURES: • Prior to concreting

NOTE: Proof of sufficient carrying capacity of the lifting device in connection with the shaft ceiling (thickness, reinforcement and load transfer) must be demonstrated by a responsible planner. Moreover, the where-installed and where-used lists supplied with the product must be observed.

Item No.	max. carrying capacity		ceiling thickness minimum (mm)	
	(kN)	(kg)		
43105020001	20.0	2,000	150 (130**)	1
43105040001	40.0	4,000	220 (200**)	2

** If the anchor plate is coated with a suitable corrosion protection system, a reduced ceiling thickness of 130 mm or 200 mm can be applied. The required proof must be demonstrated by the user.



HLX LIFT-BOX

The HALFEN HLX Lift-Box is used as an assembly aid for the interior construction and repair of lifts. The Lift-Box guarantees a safe fixing at the ceiling (anchoring points in the ceiling) in order to support heavy lift equipment.

The HALFEN HLX Lift-Box is delivered as a complete set to the construction site preassembled. It transmits static loads. Due to the low construction height it can be used with plate thicknesses starting at 150 mm.

FEATURES: • Modern plastic design • Preassembled set • Fast and easy installation • Automatic removal of cover with formwork • Looked loop (no unscrewing) • Suitable for thin plate thickness • High load bearing capacity • CE-mark

Item No.		max. carrying capacity		ceiling thickness minimum (mm)	
		(kN)	(kg)		
295999003	Halfen HLX Lift Box 1.5 with looked loop	15	1.500	150	
295999004	Halfen HLX Lift-Box 2.0 with looked loop	20	2.000	150	3
295999006	Halfen HLX Lift-Box 2.0 with ring	20	2.000	150	4
295999007	Halfen HLX Lift-Box 4.0 with ring	40	4.000	220	



Halfen HLX Lift Box 2,0 with looked loop



Halfen HLX Lift Box 2,0 with ring

ANCHOR CHANNELS & T-HEAD BOLTS

Our range of anchor channels and bolts is characterised by the great variety of design. This broadens your planning scope and gives you opportunities to react flexibly to changing requirements - while always remaining sure that loads will be safely carried.



MUNICH AIRPORT

Around 40 million passengers per year use this airport to fly to 230 destinations in more than 70 countries. In 2012, Skytrax named it as the second best airport in Europe, and it ranks sixth worldwide. Flughafen München GmbH is facing the challenge of reaching the capacity limit

of the airport in the form of a satellite terminal - an extension to Terminal 2. Stingl is supplying components for the attachment of lift guide rails and doors.



ANCHOR CHANNELS & T-HEAD BOLTS

Anchor Channels Profile HTA 40/22 Plus	21
Anchor channels Profile HTA 50/30 Plus	22
Anchor channels Profile HTA 55/42	22
HALFEN DYNAGRIP Anchor Channels	23
Surface fixed channels HM	23
T-Head And Hammer-Head Bolts	24



ANCHOR CHANNELS

Anchor channels are safe, adjustable and rational brackets for guide rails, lift doors and all kinds of loads. The channels are available in standard lengths of 250 mm up to 6,000 mm. They can be used as HTA profiles in concrete lift shafts as well as HM profiles in steel lift shafts. The anchor channels are certified with No. Z.-21.4-34 (manufacturer: Halfen) by the Bureau of Construction Supervision, Berlin. They also comply with the European Norm ETA-09/0339.

DETAILS: Galvanised steel with T-anchors, nail holes and tape filling



ANCHOR CHANNELS PROFILE HTA 40/22 PLUS

Item No.	Description	Length [mm]
001402210152	Anchor channels HTA-CE 40/22P	150 mm fvz
001402210202	Anchor channels HTA-CE 40/22P	200 mm fvz
001402210252	Anchor channels HTA-CE 40/22P	250 mm fvz
001402210352	Anchor channels HTA-CE 40/22P	350 mm fvz
001402210402	Anchor channels HTA-CE 40/22P	400 mm fvz
001402210552	Anchor channels HTA-CE 40/22P	550 mm fvz
001402210802	Anchor channels HTA-CE 40/22P	800 mm fvz
001402211052	Anchor channels HTA-CE 40/22P	1,050 mm fvz
001402211302	Anchor channels HTA-CE 40/22P	1,300 mm fvz
001402211552	Anchor channels HTA-CE 40/22P	1,550 mm fvz
001402211802	Anchor channels HTA-CE 40/22P	1,800 mm fvz
001402212052	Anchor channels HTA-CE 40/22P	2,050 mm fvz
001402212302	Anchor channels HTA-CE 40/22P	2,300 mm fvz
001402212552	Anchor channels HTA-CE 40/22P	2,550 mm fvz
001402212802	Anchor channels HTA-CE 40/22P	2,800 mm fvz
001402213052	Anchor channels HTA-CE 40/22P	3,030 mm fvz
001402213302	Anchor channels HTA-CE 40/22P	3,300 mm fvz
001402213552	Anchor channels HTA-CE 40/22P	3,550 mm fvz
001402213802	Anchor channels HTA-CE 40/22P	3,800 mm fvz
001402214052	Anchor channels HTA-CE 40/22P	4,050 mm fvz
001402214302	Anchor channels HTA-CE 40/22P	4,300 mm fvz
001402216072	Anchor channels HTA-CE 40/22P	6,070 mm fvz



FURTHER PROFILES, TYPES AND LENGTHS AVAILABLE UPON REQUEST!



ANCHOR CHANNELS PROFILE HTA 50/30 PLUS

Item No.	Description	Length [mm]
001503010252	Anchor channels HTA-CE 50/30P	250 mm fvz
001503010302	Anchor channels HTA-CE 50/30P	300 mm fvz
001503010352	Anchor channels HTA-CE 50/30P	350 mm fvz
001503010402	Anchor channels HTA-CE 50/30P	400 mm fvz
001503010502	Anchor channels HTA-CE 50/30P	500 mm fvz
001503010552	Anchor channels HTA-CE 50/30P	550 mm fvz
001503010802	Anchor channels HTA-CE 50/30P	800 mm fvz
001503011052	Anchor channels HTA-CE 50/30P	1.050 mm fvz
001503011302	Anchor channels HTA-CE 50/30P	1.300 mm fvz
001503011552	Anchor channels HTA-CE 50/30P	1.550 mm fvz
001503011802	Anchor channels HTA-CE 50/30P	1.800 mm fvz
001503012052	Anchor channels HTA-CE 50/30P	2.050 mm fvz
001503012302	Anchor channels HTA-CE 50/30P	2.300 mm fvz
001503012552	Anchor channels HTA-CE 50/30P	2.550 mm fvz
001503012802	Anchor channels HTA-CE 50/30P	2.800 mm fvz
001503013052	Anchor channels HTA-CE 50/30P	3.030 mm fvz
001503013302	Anchor channels HTA-CE 50/30P	3.300 mm fvz
001503013552	Anchor channels HTA-CE 50/30P	3.550 mm fvz
001503013802	Anchor channels HTA-CE 50/30P	3.800 mm fvz
001503014302	Anchor channels HTA-CE 50/30P	4.300 mm fvz
001503016072	Anchor channels HTA-CE 50/30P	6.070 mm fvz



ANCHOR CHANNELS PROFILE HTA 55/42

Item No.	Description	Length [mm]
024554210401	Anchor channels HTA-CE 55/42	400 mm fvz
024554210551	Anchor channels HTA-CE 55/42	550 mm fvz
024554210801	Anchor channels HTA-CE 55/42	800 mm fvz
024554211051	Anchor channels HTA-CE 55/42	1.050 mm fvz
024554211551	Anchor channels HTA-CE 55/42	1.550 mm fvz
024554212301	Anchor channels HTA-CE 55/42	2.300 mm fvz
024554212551	Anchor channels HTA-CE 55/42	1.550 mm fvz
024554212801	Anchor channels HTA-CE 55/42	2.800 mm fvz
024554213031	Anchor channels HTA-CE 55/42	3.030 mm fvz
024554216071	Anchor channels HTA-CE 55/42	6.070 mm fvz

FURTHER PROFILES, TYPES AND LENGTHS AVAILABLE UPON REQUEST!

HALFEN DYNAGRIP ANCHOR CHANNELS

CONSTRUCTION SUPERVISION APPROVAL FOR ANCHOR CHANNEL HZA DYNAGRIP 2-21.4-1691

HALFEN DYNAGRIP anchor channels are a new development for applications with high loads, where channel is cast in vertically. These high performance channels can even absorb dynamic load components of up to 3 kN. Special toothed profiles provide positive engagement and eliminates the risk of slipping.

HALFEN DYNAGRIP anchor channels meet or exceed the conditions for anchoring lift guide rails: Three-dimensional load absorption with high dynamic loads. These channels are also suitable for vertical installation, e.g. in concrete columns carrying longitudinal loads.

Quality features of HALFEN DYNAGRIP cast-in channels are:

- high load-bearing capacity up to 12 kN as the resultant load in all directions
- allowable dynamic load amplitude of up to 3 kN
- compact product range with two types HZA 29/20 and HZA 38/23
- high degree of corrosion protection due to hot-dip galvanized design
- officially approved



SURFACE FIXED CHANNELS HM

HALFEN mounting rails together with the corresponding HALFEN screws or threaded plates offer all advantages for flexible screw connections and frame constructions. Due to the flexibility of the systems the most economical solution can be chosen for different requirements.

Item No.	Description	length [mm]
026402220300	Montageschienen HM 40/22	300
026402220400	Montageschienen HM 40/22	400
026402220550	Montageschienen HM 40/22	550
026402220800	Montageschienen HM 40/22	800
026402221050	Montageschienen HM 40/22	1.050
026402221300	Montageschienen HM 40/22	1.300
026402221550	Montageschienen HM 40/22	1.550
026402221800	Montageschienen HM 40/22	1.800
026402222050	Montageschienen HM 40/22	2.050
026402222300	Montageschienen HM 40/22	2.300
026402222550	Montageschienen HM 40/22	2.550
026402223000	Montageschienen HM 40/22	3.000



FURTHER SIZES AND LENGTHS AVAILABLE UPON REQUEST!

2



T-HEAD AND HAMMER-HEAD BOLTS

T-head and hammer head bolts are used in connection with Halfen/Unistrut channels (e.g. HM and HTA) and allow, for example, the fastening of lift guide rails. The bolts can be placed flexibly in the required position in the anchor channel. They can be fastened

flush with the fixing object or combined with angle pieces in order to bridge distances.

Type	for Profile
HS 28/15	28/15
HS 40/22	40/22
HS 50/30	52/34, 50/30

HAMMER-HEAD BOLTS FOR PROFILES HTA 28/15

Item No.	Designation	Description
0272815060201	Hammer-Head Bolts M6x20 for HTA 28/15	electrolytically galvanized, property class 4.6
0272815060251	Hammer-Head Bolts M6x25 for HTA 28/15	electrolytically galvanized, property class 4.6
0272815060401	Hammer-Head Bolts M6x40 for HTA 28/15	electrolytically galvanized, property class 4.6
0272815080151	Hammer-Head Bolts M8x15 for HTA 28/15	electrolytically galvanized, property class 4.6
0272815080201	Hammer-Head Bolts M8x20 for HTA 28/15	electrolytically galvanized, property class 4.6
0272815080301	Hammer-Head Bolts M8x30 for HTA 28/15	electrolytically galvanized, property class 4.6
0272815080401	Hammer-Head Bolts M8x40 for HTA 28/15	electrolytically galvanized, property class 4.6
0272815080501	Hammer-Head Bolts M8x50 for HTA 28/15	electrolytically galvanized, property class 4.6
0272815100201	Hammer-Head Bolts M10x20 for HTA 28/15	electrolytically galvanized, property class 4.6
0272815100301	Hammer-Head Bolts M10x30 for HTA 28/15	electrolytically galvanized, property class 4.6
0272815100401	Hammer-Head Bolts M10x40 for HTA 28/15	electrolytically galvanized, property class 4.6
0272815100801	Hammer-Head Bolts M10x80 for HTA 28/15	electrolytically galvanized, property class 4.6
0272815120301	Hammer-Head Bolts M12x30 for HTA 28/15	electrolytically galvanized, property class 4.6
0272815120501	Hammer-Head Bolts M12x50 for HTA 28/15	electrolytically galvanized, property class 4.6
0272815120801	Hammer-Head Bolts M12x80 for HTA 28/15	electrolytically galvanized, property class 4.6

HAMMER-HEAD BOLTS FOR PROFILES HTA 40/22

Item No.	Designation	Description
0274022100201	Hammer-Head Bolts M10x20 for HTA 40/22	hot-tip galvanized, property class 4.6
0274022100301	Hammer-Head Bolts M10x30 for HTA 40/22	hot-tip galvanized, property class 4.6
0274022100302	Hammer-Head Bolts M10x30 for HTA 40/22	hot-tip galvanized, property class 8.8
0274022100401	Hammer-Head Bolts M10x40 for HTA 40/22	electrolytically galvanized, property class 4.6
0274022100402	Hammer-Head Bolts M10x40 for HTA 40/22	hot-tip galvanized, property class 8.8
0274022100501	Hammer-Head Bolts M10x50 for HTA 40/22	electrolytically galvanized, Fest.Klasse 4.6
0274022100601	Hammer-Head Bolts M10x60 for HTA 40/22	hot-tip galvanized, property class 4.6
0274022100801	Hammer-Head Bolts M10x80 for HTA 40/22	hot-tip galvanized, property class 4.6
0274022101001	Hammer-Head Bolts M10x100 for HTA 40/22	hot-tip galvanized, property class 4.6
0274022120201	Hammer-Head Bolts M12x20 for HTA 40/22	electrolytically galvanized, property class 4.6
0274022120301	Hammer-Head Bolts M12x30 for HTA 40/22	electrolytically galvanized, property class 4.6
0274022120401	Hammer-Head Bolts M12x40 for HTA 40/22	hot-tip galvanized, property class 4.6
0274022120452	Hammer-Head Bolts M12x45 for HTA 40/22	electrolytically galvanized, property class 8.8!
0274022120501	Hammer-Head Bolts M12x50 for HTA 40/22	hot-tip galvanized, property class 4.6
0274022120502	Hammer-Head Bolts M12x50 for HTA 40/22	hot-tip galvanized, property class 8.8
0274022120601	Hammer-Head Bolts M12x60 for HTA 40/22	galvanisch oder FV verzinkt, property class 4.6
0274022120602	Hammer-Head Bolts M12x60 for HTA 40/22	electrolytically galvanized, property class 8.8
0274022120802	Hammer-Head Bolts M12x80 for HTA 40/22	electrolytically galvanized, property class 8.8!
0274022121001	Hammer-Head Bolts M12x100 for HTA 40/22	hot-tip galvanized, property class 4.6
0274022121002	Hammer-Head Bolts M12x100 for HTA 40/22	hot-tip galvanized, property class 8.8
0274022121251	Hammer-Head Bolts M12x125 for HTA 40/22	electrolytically galvanized, property class 4.6
0274022121501	Hammer-Head Bolts M12x150 for HTA 40/22	electrolytically galvanized, property class 4.6
0274022160401	Hammer-Head Bolts M16x40 for HTA 40/22	electrolytically galvanized, property class 4.6

Item No.	Designation	Description
0274022160402	Hammer-Head Bolts M16x40 for HTA 40/22	hot-tip galvanized, property class 8.8
0274022160501	Hammer-Head Bolts M16x50 for HTA 40/22	hot-tip galvanized, property class 4.6
0274022160502	Hammer-Head Bolts M16x50 for HTA 40/22	hot-tip galvanized, property class 8.8
0274022160601	Hammer-Head Bolts M16x60 for HTA 40/22	hot-tip galvanized, property class 4.6
0274022160602	Hammer-Head Bolts M16x60 for HTA 40/22	hot-tip galvanized, property class 8.8
0274022160801	Hammer-Head Bolts M16x80 for HTA 40/22	electrolytically galvanized, property class 4.6
0274022160802	Hammer-Head Bolts M16x80 for HTA 40/22	electrolytically galvanized, property class 8.8!
0274022161001	Hammer-Head Bolts M16x100 for HTA 40/22	electrolytically galvanized, property class 4.6
0274022161002	Hammer-Head Bolts M16x100 for HTA 40/22	hot-tip galvanized, property class 8.8
0274022161251	Hammer-Head Bolts M16x125 for HTA 40/22	hot-tip galvanized, property class 4.6
0274022161501	Hammer-Head Bolts M16x150 for HTA 40/22	hot-tip galvanized, property class 4.6
0274022162501	Hammer-Head Bolts M16x250 for HTA 40/22	electrolytically galvanized, property class 4.6

HAMMER-HEAD BOLTS FOR PROFILES HTA 50/30 UND 52/34

Item No.	Designation	Description
0275030120301	Hammer-Head Bolts M12x30 for HTA 50/30	electrolytically galvanized, property class 4.6
0275030120401	Hammer-Head Bolts M12x40 for HTA 50/30	hot-tip galvanized, property class 4.6
0275030120452	Hammer-Head Bolts M12x45 for HTA 50/30	hot-tip galvanized, property class 8.8
0275030120501	Hammer-Head Bolts M12x50 for HTA 50/30	electrolytically galvanized, property class 4.6
0275030120601	Hammer-Head Bolts M12x60 for HTA 50/30	hot-tip galvanized, property class 4.6
0275030120602	Hammer-Head Bolts M12x60 for HTA 50/30	electrolytically galvanized, property class 8.8
0275030120801	Hammer-Head Bolts M12x80 for HTA 50/30	hot-tip galvanized, property class 4.6
0275030120802	Hammer-Head Bolts M12x80 for HTA 50/30	hot-tip galvanized, property class 8.8
0275030121001	Hammer-Head Bolts M12x100 for HTA 50/30	electrolytically galvanized, property class 4.6
0275030121251	Hammer-Head Bolts M12x125 for HTA 50/30	hot-tip galvanized, property class 4.6
0275030160401	Hammer-Head Bolts M16x40 for HTA 50/30	hot-tip galvanized, property class 4.6
0275030160402	Hammer-Head Bolts M16x40 for HTA 50/30	electrolytically galvanized, property class 8.8
0275030160501	Hammer-Head Bolts M16x50 for HTA 50/30	electrolytically galvanized, property class 4.6
0275030160601	Hammer-Head Bolts M16x60 for HTA 50/30	hot-tip galvanized, property class 4.6
0275030160602	Hammer-Head Bolts M16x60 for HTA 50/30	hot-tip galvanized, property class 8.8
0275030160801	Hammer-Head Bolts M16x80 for HTA 50/30	electrolytically galvanized, property class 4.6
0275030160802	Hammer-Head Bolts M16x80 for HTA 50/30	electrolytically galvanized, property class 8.8
0275030161001	Hammer-Head Bolts M16x100 for HTA 50/30	electrolytically galvanized, property class 4.6
0275030161002	Hammer-Head Bolts M16x100 for HTA 50/30	hot-tip galvanized, property class 8.8
0275030161251	Hammer-Head Bolts M16x125 for HTA 50/30	electrolytically galvanized, property class 4.6
0275030161501	Hammer-Head Bolts M16x150 for HTA 50/30	hot-tip galvanized, property class 4.6
0275030162001	Hammer-Head Bolts M16x200 for HTA 50/30	electrolytically galvanized, property class 4.6
0275030200451	Hammer-Head Bolts M20x45 for HTA 50/30	hot-tip galvanized, property class 4.6
0275030200452	Hammer-Head Bolts M20x45 for HTA 50/30	hot-tip galvanized, property class 8.8
0275030200551	Hammer-Head Bolts M20x55 for HTA 50/30	electrolytically galvanized, property class 4.6
0275030200602	Hammer-Head Bolts M20x60 for HTA 50/30	electrolytically galvanized, property class 8.8
0275030200802	Hammer-Head Bolts M20x80 for HTA 50/30	hot-tip galvanized, property class 8.8

FURTHER SIZES AND LENGTHS AVAILABLE UPON REQUEST!

SHAFT SAFETY

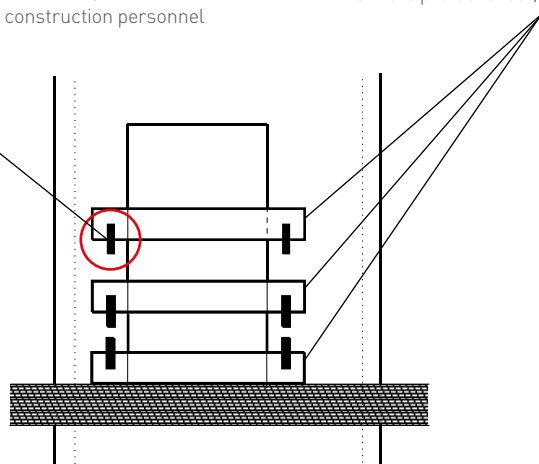
Mounting Bracket for Shaft Barriers Z-Shape	27
Mounting Bracket for Shaft Barriers U-Shape	27
Telescopic Beams	28
Stingl Safety Door	29
Light-Weight Multi-Purpose Barriers	30
Safety-Barriers	31
Railing Clamps	31



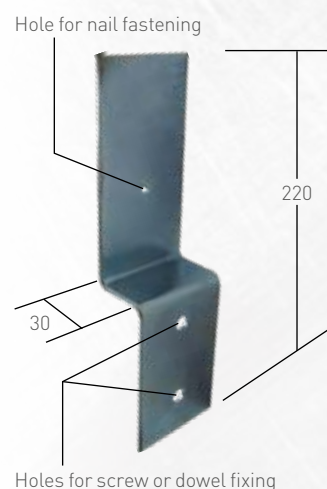
MOUNTING BRACKET FOR SHAFT BARRIERS Z-SHAPE

Mounting bracket for the safe assembly of barriers at lift door openings to protect construction personnel

Barriers protect chest, knee and foot sections



Details: Flat steel 60x3mm; 220mm long; galvanised; 3 borings

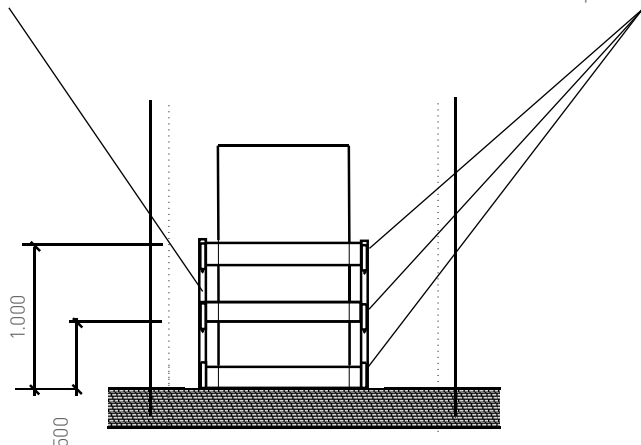


Item No.	Description
008999001	Z-shape mounting bracket, galvanised

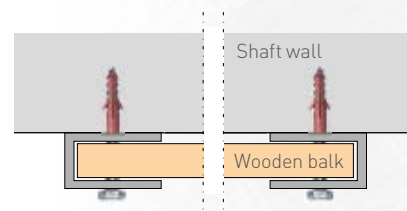
MOUNTING BRACKET FOR SHAFT BARRIERS U-SHAPE

The u-shaped steel bracket is ideal for the safe fixing of required barriers at lift door openings to protect construction personnel. The need of only two fixing screws/dowels saves installation time.

Barriers protect chest, knee and foot sections



Details: Profile steel 40x40x3 mm; 1,000 mm long; primed



Wooden balk lies atop of dowel

Item No.	Description
008999011	U-shape mounting bracket, primed, 40x40x3 mm, 1,000 mm long

3

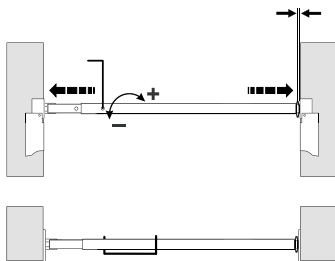
Details: Telescopic steel pipes with pivotal supports all galvanised; optional closure foil and intermediate spans made of synthetic material to protect lift shaft entrances



Variant 1: Partial lift shaft entrance protection



Variant 2: Extensive lift shaft entrance protection



Tensioning procedure

TELESCOPIC BEAMS

TO PROTECT LIFT SHAFT ENTRANCES

Telescopic beams with pressing mechanism allow the fast and safe protection of builders openings and lift doors. They can be used during work in unfinished buildings or for modernisation and repair work in existing buildings.

The telescopic beam meets the requirements of BGI 807/10.02 and BGG 928/04.94 of the German builders' trade association.

For the extensive protection of breakthroughs the telescopic beam can be upgraded with an additional closure foil, suitable in particular for door openings when performing scaffoldless lift installation. The closure foil is fixed by adding two holders to the telescopic beam (see components).

The kit consists of a telescopic beam with pivoting lateral protection posts and, on request, telescopic knee and foot protection elements.

BENEFITS: • The TÜV GS-seal guarantees a safe and approved solution • The telescopic design allows the system to be used for various openings ranging from • 700 to 1,100 mm (S0) and 1,000 to 1,650 mm (S1) • The system is easy to handle so that it meets the requirement of one-man assembly • Installation without drilling or dowels. The parts are easily and quickly clamped into place. • This allows the unit to be used especially in buildings where facades should not be damaged (e.g. during lift modernisation or repair work).

COMPONENTS: • Telescopic beam with pivotable supports, all made of galvanised steel. • Telescopic intermediate spars made of PVC as knee and foot protection • Translucent closure foil with reinforced mesh structure, 2,500x2,100mm, upper end with fixing eyelets. Imprinted company logo upon request. • 2 foil holders for fastening of closure foil, simple plug-fixing to telescopic beam, max. height 2,300mm • Spacer made of galvanised steel for use in entrance scenarios without reveal • Sturdy transport bag for easy handling.

Item No.	Description
01506110001	Telescopic beam S0, for shaft entrance areas of 700 to 1.100 mm, incl. 2 pivotable supports for intermediate spars fixing and transport bag
01512110001	Telescopic beam S0, for shaft entrance areas of 700 to 1.100 mm, incl. 2 pivotable supports, 2 intermediate spars, 2 foil holders, 1 neutral closure foil and transport bag
01506165001	Telescopic beam S1, For shaft entrance areas of 1.000 to 1.650 mm, incl. 2 pivotable supports for intermediate spars fixing and transport bag
01512165001	Telescopic beam S1, for shaft entrance areas of 1.000 to 1.650 mm), incl. 2 pivotable supports, 2 intermediate spars, 2 foil holders, 1 neutral closure foil and transport bag
01511130001	Transport bag for configuration S0/S1
015999003	Imprint on closure foil
015999007	Spacer for telescopic beam

ACCESSORIES

Item No.	Description
01505000007	2 telescopic intermediate spars S0 for knee and foot protection
01505000005	2 telescopic intermediate spars S1 for knee and foot protection



STINGL SAFETY DOOR

STINGL SAFETY DOOR – THE UNIVERSAL AND SAFE SHAFT PROTECTION FÜR FOR MODERNISATION AND NEW CONSTRUCTION

Shaft openings must be secured against collapsing and falling objects, especially with modernisation in existing buildings with non-specialist visitors (e.g. house residents and hotel guests), but also in new buildings. What is needed here is a safe, flexible, full-surface and stable solution. The Stingl safety door. The Stingl safety door is the professional answer showing all those strengths.

The revolving doors are made up of one trapezoidal sheet core and are surrounded by one aluminium frame. The three rotary bolt locks can be horizontally moved and fixed after opening the door. If the door reveals are too short or not present at all, other alternative threshold corner elements could be used, however they must be dowelled with the threshold or the masonry or concrete wall.

The doors can be fastened at any time to the left or the right. For this, just a small modification of the vertical supports and relocation of the quarter-turn locks is required.

OPTIONS: Optionally, the shaft protection Stingl safety door can be completed by a three-part side

protection (handrail, knee- and foot guard). If work has to be carried out with the doors required to be open temporarily, the side protection serves as an additional fall protection. When bracing the vertical door supports, the door threshold and lintel must be able to withstand a vertical load of $V = 3.6 \text{ kN}$. The clamping force can be visually checked and monitored with the help of disc springs. The Stingl safety door can be opened and closed from the outside and inside of the shaft with four triangular rotary bolt locks (2 pieces per door element). Depending on the door width, a telescopic profile is placed on the threshold and braced. The profile ensures an additional securing of the vertical brace supports.

On request, an additional door element or an on-site door element can be provided for wider shaft openings. Fixed element (e.g. wooden board or sheet metal storage) can be extended.

On request, we can also produce signs that can be temporarily attached to the door elements (magnetically or with hook and eye points) or permanently attached (riveted or screwed) (e.g. logo or warning notice "No entry").



Item No.	Description
151810210010	Swing door SMALL 1000x1040 top
151810210020	Swing door SMALL 1000x1040 bottom
151810210501	Vertical support left
151810210502	Vertical support right
15181021060	Form-fit door threshold SMALL
15181021070	Three-part side protection SMALL
15181222001	Swing door MEDIUM 1100x1240 top
15181222002	Swing door MEDIUM 1100x1240 bottom
15181222060	Form-fit door threshold MEDIUM
15181222070	Three-part side protection MEDIUM/LARGE
15181422001	Swing door LARGE 1100x1440 top
15181422002	Swing door LARGE 1100x1440 bottom
15181021134	Flat holder for vertical support right
15181021135	Flat holder for vertical support left

3



Details Version 1:
 Material: made of polyethylene
 Width: 970mm
 Height: 800mm
 Depth :30mm
 Weight: 3kg per panel
 standard barrier design 3 panels



Details Version 2:
 Material: made of polyethylene
 Width: 1,100mm
 Height: 1,100mm
 Depth: 30mm
 Weight: 5.5kg per panel
 standard barrier design 3 panels



Details Version 3:
 Material: made of polyethylene
 Width: 600 mm
 Height: 350 mm
 Depth: 1,000 mm
 Weight: 15kg

LIGHT-WEIGHT MULTI-PURPOSE BARRIERS

The re-usable barrier systems are especially suitable to create a safe working environment during maintenance and modernisation of lifts and esca-

lators in areas accessible to the public. The single panels are modular and can be linked together to enclose any shape or size area.

Features	Version 1	Version 2	Version3
Signal colour yellow with warning symbols	•	•	•
For interior use	•	•	•
For exterior use	•	•	•
Small pack size	•	•	•
Easy cleaning	•	•	•
Different warning symbols as an option	•	•	○
Pedestal made of hard rubber for improved stability	•	•	○
Can be fixed to the ground with U profiles	•	•	○
Can be fixed to the ground with U profiles	•	•	○
Pin and splint retainer	•	•	○

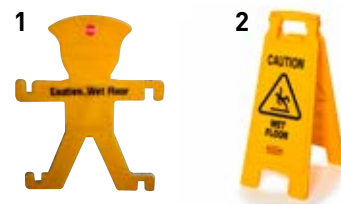


BARRIER SYSTEM					
VERSION 1		VERSION 2		VERSION 3	
Item No.	Number of panels	Item No.	Number of panels	Item No.	
0081080097	1	0081110110	1	008999019	Mobile barrier system
0082080097	2	0082110110	2		
0083080097	3	0083110110	3		
0084080097	4	0084110110	4		
0085080097	5	0085110110	5		
0086080097	6	0086110110	6		

ACCESSORIES VERSION 1 AND 2	
Item No.	Description
008999017	Base for multi-purpose barrier version 1 + 2

SAFETY-BARRIERS

Item No.	Description	HxW	
0081103781	Warning manikin	1,030x780 mm	1
008999022	Mobile warning sign 2-sided	660x279 mm	2



RAILING CLAMPS

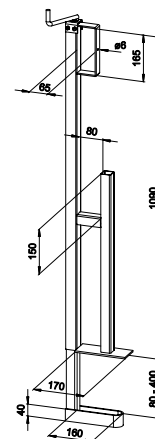
Light railing clamps for clamping an area of 0–400 mm. The railing clamps can be clamped on the scaffold covering or on the longitudinal and cross bars.

Absolutely necessary for safe fall protection when working on conventional wooden scaffolds.

TECHNICAL FEATURES: • Hot-galvanized for a long service life • Closed brackets to stop the side guard boards being lifted out • Dimensions of the side guard boards 15x3 cm • Tested and approved by the trade association.

OTHER TYPES AVAILABLE UPON REQUEST.

Item No.	Description
008999008	Railing clamp, Clamping area 0–400 mm
008999009	Railing clamp, Clamping area 0–800 mm



WORK PLATFORMS

Installation, maintenance and repair: When it comes to scaffold-less platforms, you can depend on our superior experience as well as effectiveness and efficiency right from the start. You can rest assured that we provide adjustable solutions, innovation and maximum safety in every single situation.



HAMBURG HAFENCITY DEVELOPMENT



With the development of HafenCity, Hamburg is setting new standards in Europe at the very least: On a site of 157 hectares, a completely new urban district with a maritime atmosphere is being created. It will unite the realms of work, home life, culture, leisure, tourism and retail. Stingl

is helping the construction project to progress in the form of a major delivery of scaffolding shoes of various designs for the erection of conventional assembly platforms.

WORK PLATFORMS

Scaffolding Socket	35
Plug-In Scaffolding Shoe	35
Universal Scaffolding Shoe	36
Universal Scaffolding Shoe for Steel Shafts	37
Universal Scaffolding Shoe Revolving	37
Telescopic Work Platform Stingl-mobil PANO	38
Telescopic Work Platform Stingl-mobil SERVICE	40

SCAFFOLDING SOCKET

Approved solely for assembly platforms in concrete shafts (min. concrete quality German C20/25). The imbedding of scaffolding sockets into masonry and drill holes of any kind is prohibited.

Use pre-cast concrete blocks as shown below for masonry shafts. The durable synthetic sockets remain in the shafts for later maintenance activities.

Item No.	Description	Dimensions (hwxwd mm)	Colour
0050100126	Scaffolding socket	26x26x100	orange
0050100131	Scaffolding socket	31x31x100	yellow



PLUG-IN SCAFFOLDING SHOE

The plug-in scaffolding shoe and scaffolding sockets allow the safe and simple installation of assembly platforms in lift, chimney and ventilation shafts. The durable synthetic sockets remain in the shafts for later maintenance activities.

The plug-in system is not only time- but also cost-efficient. No drillings are required.

TÜV Süd subjected the universal scaffold shoe 4 kN and 7 kN to a safety test according to the test specification DIN EN 12811-1: 2004. The universal scaffold shoe was awarded the TÜV test certificate with certificate No. Z1170599550002.

Item No.	Description	Dimensions (hwxwd mm)	bearing capacity (kN)
004102504001	Plug-in scaffolding shoe	25x25x95	4
004103003501	Plug-in scaffolding shoe	30x30x95	3.5*
004103007001	Plug-in scaffolding shoe	30x30x95	7

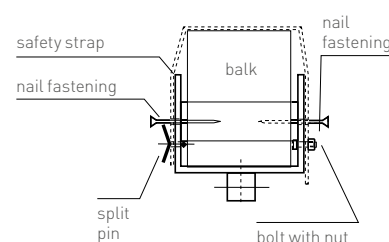
* 3.5 kN not certified

Details: Profile steel four-edged bar 25x25mm, 30x30mm or profile steel tube 30x30x3.2mm with welded steel shoe 90x117x3mm. Incl. steel plate inlay for point loads of max. $F = 7.0\text{ kN}$

Max. point load given a min. concrete quality C12/15:
 $F = 2.5\text{ kN}$

Max. point load given a min. concrete quality C20/25:
 $F = 7.0\text{ kN}$

Assumption: Force F was applied on the most unfavourable position.





Details: Base plate and u-shaped shoe made of St37-2 steel (some versions with steel plate inlay), primed
 Measures : 190x180x6mm, base plate with 4 drillings 13mm

UNIVERSAL SCAFFOLDING SHOE

Alternative to the plug-in scaffolding shoe, the universal scaffolding shoe also allows the safe and simple installation of assembly platforms in lift, chimney and ventilation shafts, however, with different fixing methods and without the need of additional scaffolding sockets.

Due to its moderate measures and weight, easy handling can be ensured. The universal scaffolding shoe complies with German DIN 4420-1 (12.1990) as well as DIN 175 norms and rules. It carries the GS-seal of approval No. 02045.

The universal scaffolding shoe can be fixed to structural parts in various ways like with dowels or T-head bolts as well as by welding. Depending on the fixing scenarios it can carry point loads between 3kN and 7kN. It must not be charged with dynamic loads though.

In below-mentioned scenarios, the applicable force F was applied on the most unfavourable position.

TÜV Süd subjected the universal scaffold shoe to a safety test according to the test specification DIN EN 12811-1: 2004. The universal scaffold shoe was awarded the TÜV test certificate with certificate No. Z1170599550001.

Item No.	Description	Dimensions (hxxwxd mm)	bearing capacity (kN)
004200004001	Universal scaffolding shoe	190x180x6	4
004200007001	Universal scaffolding shoe	190x180x6	7

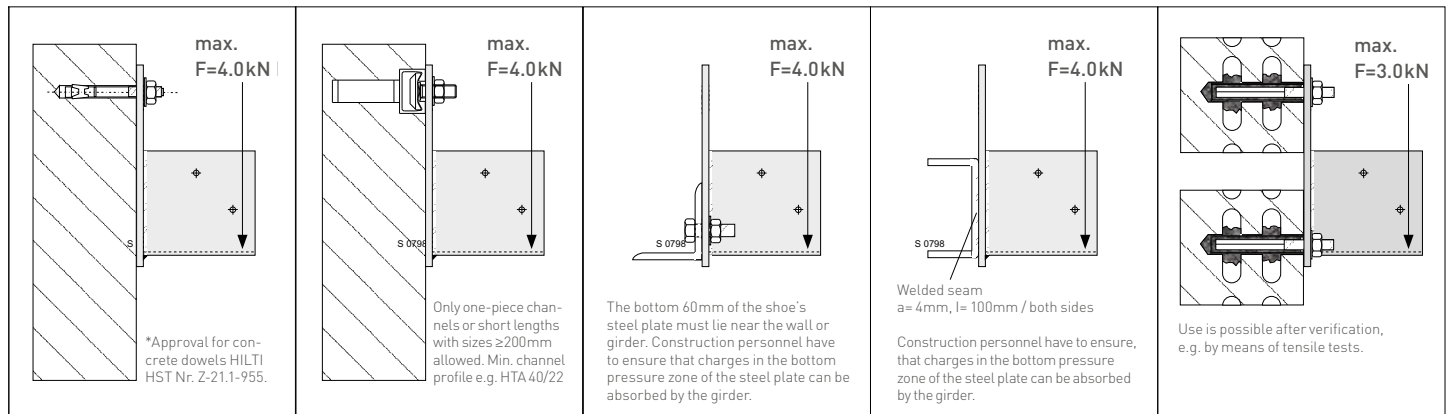
In concrete C 20/25 Dowel fixing with 2 dowels HILTI HST3 M12x115* or equiv. with proof.

In concrete C 20/25 screw connection with anchor channel, 2 T-head screws 40/22 M12 x (≥30) FV/GV-S 4.6

Steel frame connection St37-2 with 2 machine screws M 12 x 40 (strength classification 5.6).

Steel frame connection St37-2 welded. Bearing structural part must go flush with at least bottom part of steel plate.

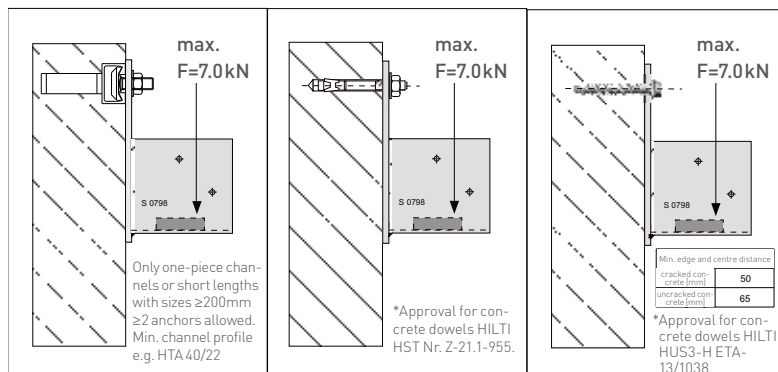
In the masonry shaft using chemical wall plugs. The load-bearing capacity must in each case be calculated by a design planner!



In concrete C 20/25 screw connection with anchor channel, 2 T-head screws 40/22 M12 x (≥30) FV/GV-S 4.6

In concrete C 20/25 Dowel fixing with 2 dowels HILTI HST3 M12x115* or equiv. with proof.

In concrete C 20/25 Dowel fixing with 2 dowels HILTI HUS3-H 10x90* or equiv. with proof.



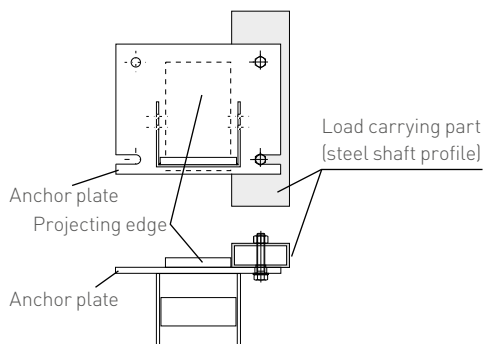
The force F was set at the most unfavorable position.

UNIVERSAL SCAFFOLDING SHOE FOR STEEL SHAFTS

The universal scaffolding shoe for steel shafts allows mounting on steel profiles with sufficient thickness. For fixing on steel profiles with 2 hexagon bolts M12, vertically attached to the left or to the right and screwed or mounted otherwise with equiv. proof.

Prepared to carry a balk of 100 mm width; Maximum load capacity 5,5kN; Screwing or welding to a steel shaft profile.

Base plate and u-shaped shoe made of st37-2 steel, primed; Measures base plate: 228x180x8mm, with 2 drillings 14 mm and 2 open long holes 14x28mm



Item No.	Description	Dimensions (lxwxh mm)	bearing capacity (kN)
00430228055	Universal scaffolding shoe for steel shafts	228x180x8	5.5



UNIVERSAL SCAFFOLDING SHOE REVOLVING

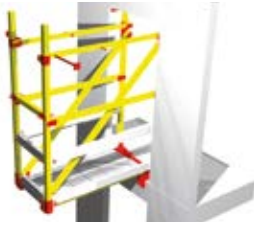
The revolving scaffolding shoe eases the mounting of work platforms in difficult shafts with abnormal measures. The fixing is made with 4 anchor dowels HILTI HSA M 12/150/75 Type S or equivalent. Minimum concrete quality German C20/25.

Prepared to carry a square balk of 80 mm width, max. load 4.0 kN, min. bearing length of the balk on the shoe 95 mm.

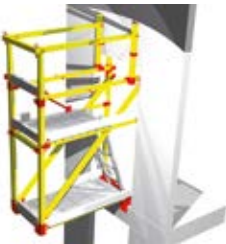
Requirements by the fixing material manufacturer must be followed exactly, e.g. edge distances, installation depth. This includes also the transmission of forces within the structural part. It is assumed that fixing material for the stage shoe is not charged with additional forces.

Item No.	Description	Dimensions (lxwxh mm)	bearing capacity (kN)
004200004005	Universal scaffolding shoe revolving	150x150x8	4
004200007003	Universal scaffolding shoe revolving	150x180x10	7





Variant 1: Scaffolding made of GRP with one working level incl. lateral fall protection devices according to DIN EN 12811-1. The perfect configuration for modernisation and maintenance work like drive change, rope change, rescue or loosening brakes.



Variant 2: Scaffolding made of GRP with one working levels incl. lateral fall protection devices according to DIN EN 12811-1. The working level is reached by means of an access ladder. This variant allows safe working for example in 2,70 m to 3,20 m high shaft heads of machine roomless lifts.

TELESCOPIC WORK PLATFORM STINGL-MOBIL PANO

Telescopic work scaffolding made of glass reinforced polyester (GRP), which can be used in various shafts.

Stingl-mobil PANO can be installed at any shaft door opening independent of the number of landings. The areas of application range from panoramic lifts to all those lifts where the shaft walls cannot be used as fixing ground for platforms. Stingl-mobil PANO is the perfect tool for installation of machine roomless lifts with machinery located in the shaft head as well as for service and repair work on existing units.

TELESCOPIC WORK SCAFFOLDING MADE OF GLASS REINFORCED POLYESTER (GRP):

Unlike conventional, static working platforms, Stingl-mobil PANO is designed for multiple use in shafts with depths ranging from 1,000 mm to 2,000 mm (in 250 mm steps). The scaffolding is designed for a working load of max. 300 kg/m² per level. It does not require a substructure. The following scaffolding widths (working area) are available: 700 mm and 1,000 mm. Due to the favourable properties of GRP as well as an intelligent lightweight construction, installation can be performed by one trained person (e.g. elevator fitter).

BENEFITS:

- Guarantees a safe and approved solution.
- The platform can be used in shafts without rear wall (e.g. panoramic lifts, open through-lifts).
- The requirement of one-man-assembly is met by the moderate weight of the scaffold elements (the heaviest subassembly weighs approx. 31 kg).
- No dependence on third parties for scaffolding erection and thus administrative savings.
- Considerable savings compared with conventional wooden scaffolds as the mobile scaffold can be re-used.
- Since no substructures are required, the mobile scaffold can be installed quickly; it is also flexible in use and thus highly economical.
- The modular design allows the assembly of a single or bi-level mobile scaffolding.
- Defined material properties of GRP, such as high loading capacity, high impact strength, long service life, low weight, high corrosion resistance as well as electrical insulation are the advantages of GRP over conventional materials such as wood, steel or aluminium.
- Low installation time of approx. 50 minutes by trained personnel.

INSTALLATION REQUIREMENTS

STINGL-MOBIL PANO:

- Save working load 300 kg/m²
- Stingl-mobil PANO may only be mounted on sufficiently stable parts of structural works capable of taking up and passing on the forces which are produced
- The lintel section must be able to withstand horizontal forces of min. 3,5 kN
- The door threshold must be able to withstand horizontal forces of min. 4,2 kN and vertical forces of min 6,6 kN
- Base plates or screw jacks with base plates must be in firm contact with both the sills and the legs of the scaffolding. Compensate for uneven ground with screw jacks with base plates. NEVER USE unstable objects such as blocks, loose bricks, etc.
- The vertical wall with the door opening for mounting must be concrete (wall thickness min. 100 mm)
- The front vertical girder must extend higher than the door opening by at least 100 mm. The distance between floor and ceiling must not be shorter than 2,350 mm
- Before setting foot on the upper work platform, at least two telescopic spacers must be mounted as per the installation instructions and extended out to the surrounding shaft wall, profiled girder or guide rails. If the spacers are placed between the working platform and existing elevator guide rails, this must be done with adapters, which can be supplied additionally
- It must be ensured that the spacers (telescopic rods) can be placed perpendicular to the working platform and push against the shaft wall
- The gap between the perimeter of the working platform and the shaft wall may not exceed 1,000 mm. The following maximum shaft widths must be observed when using the platform:
 - Platform width of 700 mm: maximum shaft width 2,800 mm
 - Platform width of 1,000 mm: maximum shaft width 3,100 mm
- Required minimum opening widths to ensure proper installation: platform width plus 100 mm
- Guardrails must be used on all open sides and ends of scaffold platforms. Top, midrails and toeboards are required
- All socket pins must be secured with split pins at any time
- A detailed drawing and specifications must be kept with the scaffold on the job
- Safety gear for fitters like for example fall arrester, full body harness, suitable anchorage point etc. must be used in accordance with local requirements at all times during the erection, use and dismantling of the platform
- Be careful while handling inner and outer GRP tubes as well as guard rail sections with inner and outer parts. Interior parts might slide out easily causing damage or injuries.



Patent-No. PCT 202700;
229243; US 7,108,100



TELESCOPIC WORK PLATFORM STINGL-MOBIL PANO**VARIANT 1 – SINGLE LEVEL PLATFORM**

Item No.	Description (platform width/platform depth)
16001062001	Stingl-mobil PANO 600 mm/1.000-2.000 mm
16001062002	Stingl-mobil PANO 600 mm/1.000-2.000 mm, without fall protection
16001072003	Stingl-mobil PANO 700 mm/1.000-2.000 mm
16001072005	Stingl-mobil PANO 700 mm/1.000-2.000 mm, without fall protection
16001102001	Stingl-mobil PANO 1.000 mm/1.000-2.000 mm
16001102003	Stingl-mobil PANO 1.000 mm/1.000-2.000 mm, without fall protection

ACCESSORIES FOR VARIANT 1

Item No.	Description
16005062001	GRP panel kit 600 mm/1.000-2.000 mm, 8-part
16005072001	GRP panel kit 700 mm/1.000-2.000 mm, 8-part
16005102001	GRP panel kit 1.000 mm/1.000-2.000 mm, 8-part

VARIANT 2 – ELEVATED PLATFORM

Item No.	Description (platform width/platform depth)
16001082001	Stingl-mobil PANO 830 mm/1.000-2.000 mm
16001112001	Stingl-mobil PANO 1.130 mm/1.000-2.000 mm

ACCESSORIES FOR VARIANT 2

Item No.	Description
16005072006	GRP panel kit 700+830 mm
16005102006	GRP panel kit 1000+1130 mm

VARIANT 3 – DOUBLE LEVEL PLATFORM

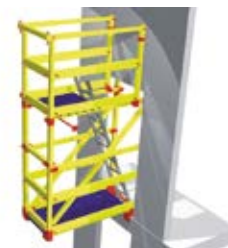
Item No.	Description (platform width/platform depth)
16002062001	Stingl-mobil PANO 600 mm/1.000-2.000 mm
16002072001	Stingl-mobil PANO 700 mm/1.000-2.000 mm
16002102001	Stingl-mobil PANO 1.000 mm/1.000-2.000 mm

ACCESSORIES FOR VARIANT 3

Item No.	Description
16005062002	GRP panel kit 600 mm/1.000-2.000 mm
16005072002	GRP panel kit 700 mm/1.000-2.000 mm
16005102002	GRP panel kit 1.000 mm/1.000-2.000 mm

ACCESSORIES FOR ALL VARIANTS

Item No.	Description
01311000002	Full body harness AX 20, EN 361
013999003	Fall arrester EN 360 with steel wire HWPS 4.5m
01311000003	Safety gear set for the lift industry
01609070002	Stowage box kit for Stingl-mobil PANO (3 boxes)
08004102001	Stowage box type 4
08004263001	Stowage box type 5
08004193003	Stowage box type 6.1



Variant 3: Scaffolding made of GRP with two elevated working level incl. lateral fall protection devices according to DIN EN 12811-1. The upper scaffolding level can be accessed over a rung ladder. This variant allows safe working for example in 3,40m to 3,90m high shaft heads of machine roomless lifts.



Full body harness AX 20, EN 361



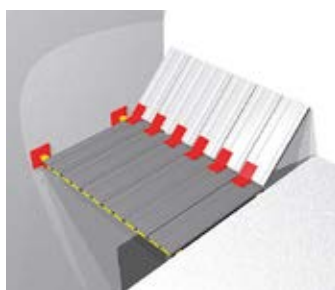
Fall arrester EN 360 with steel wire HWPS 4.5m



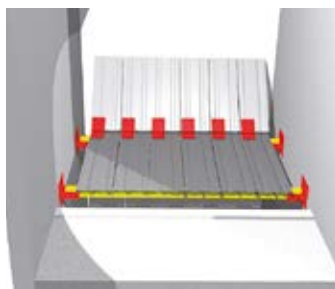
Safety gear set for the lift industry



Maintenance platform with 3-piece side protection



Maintenance platform with inclined side panels



Installation parallel to the shaft door opening

TELESCOPIC WORK PLATFORM STINGL-MOBIL SERVICE

The mobile platform made of glass reinforced polyester (GRP) is a safe and approved alternative compared to conventional platforms made of wood. Stingl-mobil service can be fixed to the shaft wall from the car roof or by way of other access means. The platform lengths can vary in an interval of 1.500 up to max. 2.700 mm. The platform width is determined by the chosen floor panel length.

Stingl-mobil SERVICE can optionally be equipped with either a 3-part guard rail system or an inclined fall protection system. Both systems can also be combined.

BENEFITS:

- Approved for a work load of 300 kg/m².
- A GS-seal (certificate no. 00023) awarded by a German notified body guarantees a safe and approved solution.
- Fast amortisation as the mobile platform can be used for more than one project.
- One product for shafts with different depths and widths.
- Moderate weight combined with high stability.
- The requirement of one-man-assembly is met.
- Single, non-conductive floor panels with anti-skid surface.
- Lateral side protection optionally available.
- Either 3-piece side protection consisting of handrail, knee board and kick board or inclined panel sections.
- The platform width is determined by the chosen floor panel length. Thus, different panel kits can be used to vary the platform size.
- Either plug-in scaffolding shoes or dowel scaffolding shoes can be used to fix the platform.
- No dependence on third parties for scaffolding erection and thus administrative and time savings.
- Defined material properties of GRP such as high loading capacity, high impact strength, long service life, low weight, high corrosion resistance as well as electrical insulation are the advan-

tages over conventional materials such as wood, steel or aluminium.

- Also usable in shafts with centrally guided ropes.

INSTALLATION REQUIREMENTS STINGL-MOBIL SERVICE:

- The lift shaft walls must be made of reinforced concrete (grade \geq German C20/25).
- The installation site as well as the erecting position in the hoistway must be accessible without any danger.
- Stingl-mobil SERVICE can be mounted either from the shaft pit or the car roof.
- During erection, use and dismantling of the platform, the fitter must secure himself with a fall arrester and full body harness (or similar safety devices) attached outside of the hoistway to a DIN EN 795 compliant anchor point with a min. capacity of 750 kg. The safety gear must always comply with local health and safety requirements.
- The shaft walls where the universal scaffolding shoes are fixed to must be parallel to each other.
- The shaft surface must be free of holes or any projecting parts so that the universal scaffolding shoes make full contact with the wall. Possible holes in the shaft wall surface must have a minimum distance of 20 cm to the fringe of each universal scaffolding shoe.
- Before installation and usage of the platform, all parts have to be checked on damage, ageing and wear. Damaged or worn parts may not be used.
- Stingl-mobil SERVICE may only be mounted on sufficiently stable parts of structural works capable of taking up and passing on the forces which are produced.
- Never modify the original parts.
- Always observe federal, state and local safety and accident prevention regulations.
- Only allow properly qualified and trained personnel to install the platform.

TELESCOPIC WORK PLATFORM STINGL-MOBIL SERVICE

Item No.	Description (platform width/platform depth)
34002060001	Stingl-mobil SERVICE 600 mm/1.500–2.150 mm
34002060002	Stingl-mobil SERVICE 600 mm/1.500–2.700 mm
34002070001	Stingl-mobil SERVICE 700 mm/1.500–2.150 mm
34002070002	Stingl-mobil SERVICE 700 mm/1.500–2.700 mm
34002100001	Stingl-mobil SERVICE 1.000 mm/1.500–2.150 mm
34002100002	Stingl-mobil SERVICE 1.000 mm/1.500–2.700 mm
34002113001	Stingl-mobil SERVICE 1.130 mm/1.500–2.150 mm
34002113002	Stingl-mobil SERVICE 1.130 mm/1.500–2.150 mm

ACCESSORIES

Item No.	Description
34003215001	Guard rail kit for Stingl-mobil SERVICE 1.500–2.150 mm
34003270001	Guard rail kit for Stingl-mobil SERVICE 1.500–2.700 mm
34003215002	Fall protection kit, inclinable 1.000, 1.500–2.150 mm
34003215003	Fall protection kit, inclinable 700, 1.500–2.150 mm
34003270002	Fall protection kit, inclinable 1.000, 1.500–2.700 mm
34003270003	Fall protection kit, inclinable 700, 1.500–2.700 mm
08004102001	Stowage box type 4
08004263001	Stowage box type 5
08004193003	Stowage box type 6.1
01609070002	Set of 3 stowage and transportation boxes

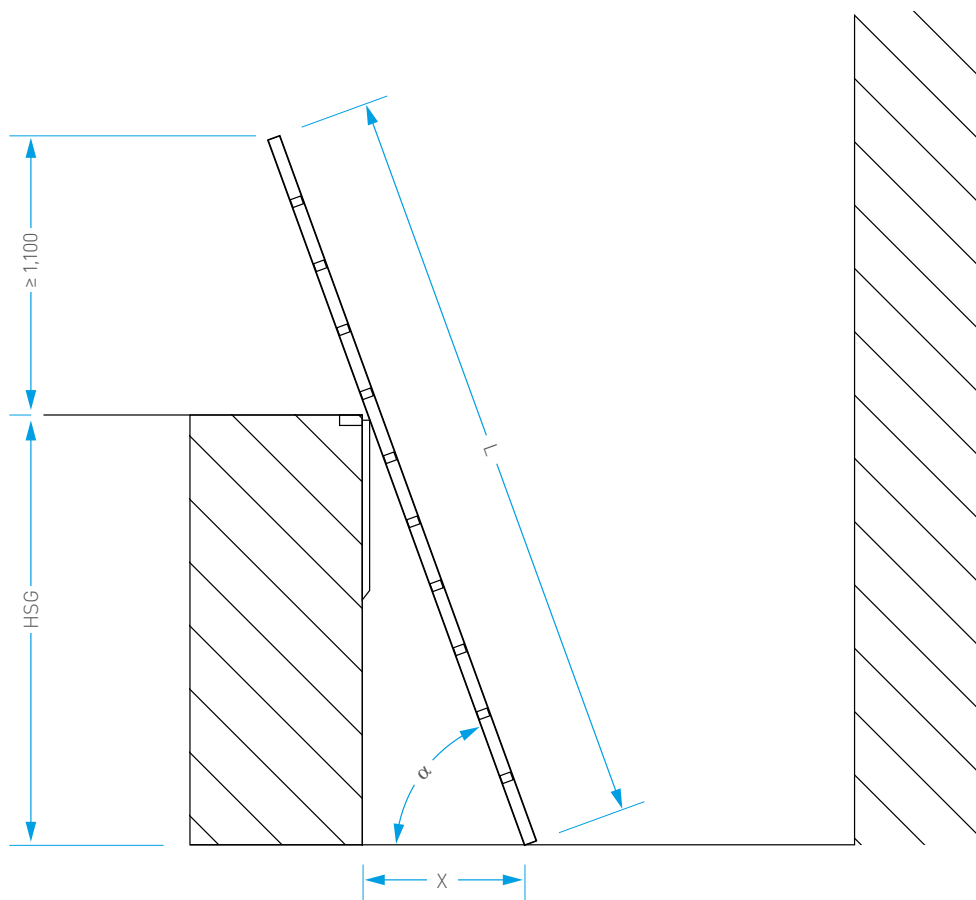


PIT LADDERS

Determining the Norm-Compliant Ladder Length	43
Pit Ladder Type A	44
Pit Ladder Type B	45
Pit Ladder Type D	46
Pit Ladder Type E	47
Pit Ladder Type E1	48
Pit Ladder Type F	49
Lockable Suspension Fitting for Ladder	49
Pit Ladder Type J	50
Pit Ladder Type S	51

DETERMINING THE NORM-COMPLIANT LADDER LENGTH

ladder length L (m)	max. pit depth HSG (m)			wall distance X (m)		
	$\alpha = 65^\circ$	$\alpha = 70^\circ$	$\alpha = 75^\circ$	$\alpha = 65^\circ$	$\alpha = 70^\circ$	$\alpha = 75^\circ$
1.50	0.26	0.310	0.35	0.12	0.11	0.09
1.75	0.49	0.54	0.59	0.23	0.20	0.16
1.80	0.53	0.59	0.64	0.25	0.22	0.17
2.10	0.80	0.87	0.93	0.37	0.32	0.25
2.25	0.94	1.01	1.07	0.44	0.37	0.29
2.30	0.98	1.06	1.12	0.46	0.39	0.30
2.35	1.03	1.11	1.17	0.48	0.40	0.31
2.46	1.13	1.21	1.28	0.53	0.44	0.34
2.50	1.17	1.25	1.31	0.54	0.45	0.35
2.60	1.26	1.34	1.41	0.59	0.49	0.38
2.65	1.30	1.39	1.46	0.61	0.51	0.39
2.85	1.48	1.58	1.65	0.69	0.57	0.44
2.90	1.53	1.63	1.70	0.71	0.59	0.46
3.00	1.62	1.72	1.80	0.75	0.63	0.48
3.15	1.75	1.86	1.94	0.82	0.68	0.52
3.20	1.80	1.91	1.99	0.84	0.69	0.53
3.40	1.98	2.09	2.18	0.92	0.76	0.59
3.50	2.07	2.19	2.28	0.97	0.80	0.61
3.60	2.16	2.28	2.38	1.01	0.83	0.64
3.70	2.25	2.38	2.47	1.05	0.87	0.66
3.75	2.30	2.42	2.52	1.07	0.88	0.68
4.00	2.53	2.66	2.76	1.18	0.97	0.74
4.05	2.57	2.71	2.81	1.20	0.98	0.75
4.10	2.62	2.75	2.86	1.22	1.00	0.77
4.30	2.80	2.94	3.05	1.30	1.07	0.82



5



PAT. 1063368

PIT LADDER TYPE A


Stationary, inclineable aluminum ladder with contact-protected safety suspension. Ideal for narrow shaft conditions. The safety suspension is made of steel. An electrical contact which stops lift operation as soon as the ladder is inclined is mandatory to ensure DIN EN81 compliance. Contact connection with the safety circuit must be carried out by a competent person/firm.

Every pit ladder comes with the necessary fixing material. The aluminium ladder type A complies with DIN EN 131

SHAFT SKETCH: Ladder in stowed position. Set-up height only 55 mm.

FURTHER LENGTHS UPON REQUEST!

WITH SAFETY SWITCH

Item No.	Description	Angle of inclination	DIN EN 81-20 Compliant Pit Depth (HSG) max. or smaller
	+ DIN EN 81/20+ DIN EN 81/50+ 		
0311250010	Pit ladder type A with safety switch. 2.50 m/long	70°	1.21 m
0311300010	Pit ladder type A with safety switch. 3.00 m/long	72°	1.79 m
0311360010	Pit ladder type A with safety switch. 3.60 m/long	74°	2.35 m
0311410010	Pit ladder type A with safety switch. 4.10 m/long	75°	2.93 m

WITHOUT CONTACT PROTECTION

Item No.	Description	Angle of inclination	Recommended Pit Ladder Length Pit depth (HSG) max. or smaller
0322250010	Pit ladder type A without contact protection. 3.00 m/long	70°	1.21 m
0321300010	Pit ladder type A without contact protection. 3.00 m/long	72°	1.79 m
0321360010	Pit ladder type A without contact protection. 3.60 m/long	74°	2.35 m
0321410010	Pit ladder type A without contact protection. 4.10 m/long	75°	2.93 m

WITH POSITION SWITCH

Item No.	Description	Angle of inclination	Recommended Pit Ladder Length Pit depth (HSG) max. or smaller
0300250000	Pit ladder type A with position switch. 2.50 m/long	70°	1.21 m
0300300000	Pit ladder type A with position switch. 3.00 m/long	72°	1.79 m
0300360000	Pit ladder type A with position switch. 3.60 m/long	74°	2.35 m
0300410000	Pit ladder type A with position switch. 4.10 m/long	75°	2.93 m

PIT LADDER TYPE B

Stationary aluminium ladder with / without mounting brackets. This version is for use in lift shafts with sufficient space conditions. The step-depth of 200 mm fulfills DIN EN 81-20 requirements. The overall setup height is approx. 235mm.


Mounting brackets are made of galvanized sheet steel.

The aluminium ladder type B complies with DIN EN 131 requirements.

FURTHER LENGTHS UPON REQUEST!



WITH MOUNTING BRACKETS

Item No.	Description	Amount of Spacers	Angle of inclination	DIN EN 81-20 Compliant Pit Depth (HSG) max. or smaller
	+ DIN EN 81/20+ DIN EN 81/50+ 			
0361150010	Pit ladder type B, 1.50 m/long	4	90°	0.40 m
0361180010	Pit ladder type B, 1.80 m/long	4	90°	0.70 m
0361250010	Pit ladder type B, 2.50 m/long	4	90°	1.40 m
0361300010	Pit ladder type B, 3.00 m/long	4	90°	1.90 m
0361360010	Pit ladder type B, 3.60 m/long	4	90°	2.50 m
0361420010	Pit ladder type B, 4.20 m/long	6	90°	3.00 m

WITHOUT MOUNTING BRACKETS

Item No.	Description	Amount of Spacers	Angle of inclination	Recommended Pit Ladder Length Pit Depth (HSG) max. or smaller
0361150020	Pit ladder type B, 1.50 m/long	0	70°	0.31 m
0361180020	Pit ladder type B, 1.80 m/long	0	70°	0.59 m
0361250020	Pit ladder type B, 2.50 m/long	0	70°	1.25 m
0361300020	Pit ladder type B, 3.00 m/long	0	70°	1.72 m
0361360020	Pit ladder type B, 3.60 m/long	0	70°	2.28 m
0361420020	Pit ladder type B, 4.20 m/long	0	70°	2.75 m



Europäisches Patentamt
European Patent Office
Office européen des brevets
Europäisches Patent Nr. 1609943

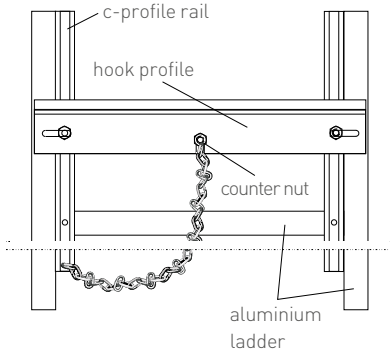
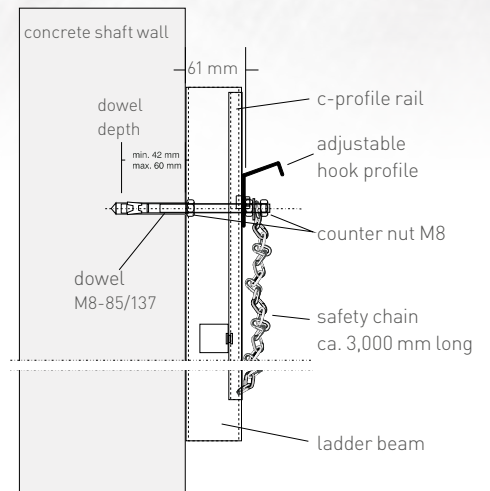
PIT LADDER TYPE D

Aluminum ladder with hook profile meant for placement at the door threshold. The profile is mounted on two guide rails and can be adjusted flexibly to allow ladder use in pits with different depths. The ladder is equipped with changeable anti-skid shoes. 4-edged anti-skid steps connect the ladder bars. Connection of the ladder with the shaft wall is ensured by a metal chain (approx. 3,000 mm) and respective fixing material (dowel, nuts and washers). The ladder comes with all necessary fixing material.

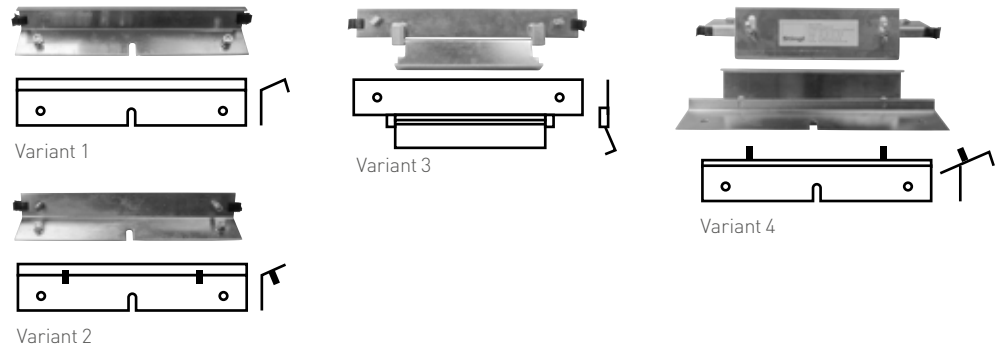
The Pit ladder Type D is manufactured according to DIN EN 131.

FURTHER LENGTHS UPON REQUEST!

LOCKABLE SUSPENSION FITTING FOR LADDER SEE PAGE 47



HOOK PROFILE VARIANTS



Item No.	Description	With chain and hook profile variant 1 and floor attachment	With chain and hook profile variant 2 and floor attachment	Angle of inclination	DIN EN 81-20 Compliant Pit Depth (HSG) max. or smaller
0355150010	Pit ladder type D, 1.50 m/long	•		70°	0.31 m
0355180010	Pit ladder type D, 1.80 m/long	•		70°	0.59 m
0355250010	Pit ladder type D, 2.50 m/long	•		70°	1.25 m
0355300010	Pit ladder type D, 3.00 m/long	•		70°	1.72 m
0355360010	Pit ladder type D, 3.60 m/long	•		70°	2.28 m
0355410010	Pit ladder type D, 4.10 m/long	•		70°	2.75 m
0356150120	Pit ladder type D, 1.50 m/long		•	70°	0.31 m
0356180120	Pit ladder type D, 1.80 m/long		•	70°	0.59 m
0356250110	Pit ladder type D, 2.50 m/long		•	70°	1.25 m
Item No.	Description	With chain and hook profile variant 1		Angle of inclination	DIN EN 81-20 Compliant Pit Depth (HSG) max. or smaller
0352150010	Pit ladder type D, 1.50 m	•		70°	0.31 m
0352180010	Pit ladder type D 1.80 m	•		70°	0.59 m
0352250010	Pit ladder type D, 2.50 m	•		70°	1.25 m
0352300010	Pit ladder type D, 3.00 m	•		70°	1.72 m
0352360010	Pit ladder type D, 3.60 m	•		70°	2.28 m
0352410010	Pit ladder type D, 4.10 m	•		70°	2.75 m

ACCESSORIES

Item No.	Description
303999003	Floor attachment for pit ladder
303999006	Hook profile variant 1, rigid hang-in depth 35 mm
303999007	Hook profile variant 2, for revolving doors with 2 spigots
303999008	Hook profile variant 3, space-saving and tiltable
303999009	Hook profile variant 4, flexible hang-in depth (two-part) from 48 to 68 mm

• applies

PIT LADDER TYPE E

Two-piece folding ladder made of aluminium with steel joints. Equipped with a mounting profile (1) meant for placement in the sill groove to avoid tilt back. The profile can be easily adjusted according to the given pit depth. The bottom of the ladder is securely connected to a steel jack (2) which is fixed to the shaft floor.

The folding ladder is especially suitable in lift shafts where fixing to the wall is impossible. Pit ladder type E requires a minimum shaft depth of 1.450 mm. The unfolded and locked ladder (4) has a vertical height of approx. 2.200 mm. Exterior ladder width 350 mm. The ladder complies with German DIN and VBG 74 standards set by the German Berufsgenossenschaft (Statutory Accident Insurance Institution). It comes with all necessary fixing material.

The ladder is pulled up from the pit with a chain (ca. 3.000 mm, to be connected with the shaft wall) and placed against the door threshold. Steel joints lock-in automatically while the mounting profile is placed in the sill groove.

After use, the ladder has to be lifted slightly and the joints have to be unlocked with a separate release rope before folding it back into the pit.

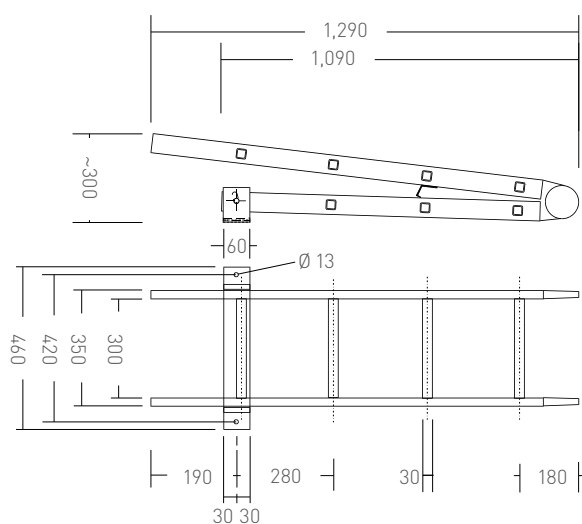
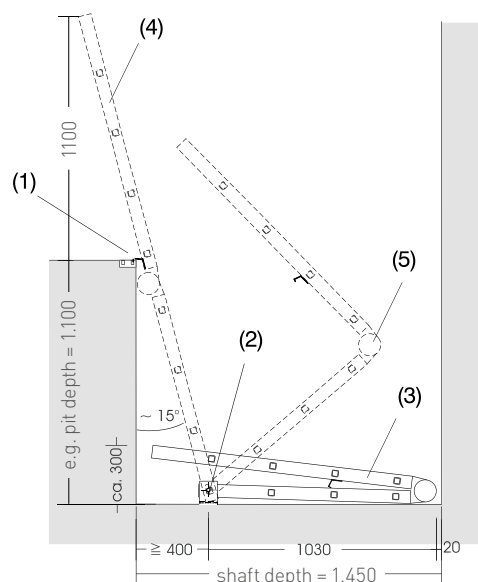
The aluminium ladder complies with DIN EN 131 + DIN EN 81-20/50 requirements.

FURTHER LENGTHS UPON REQUEST!



Europäisches
Patent Nr. 1609943

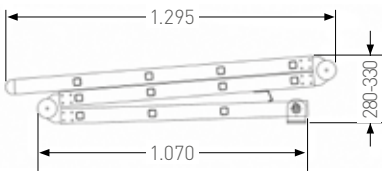
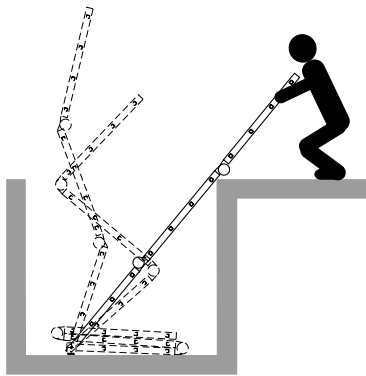
MEASURES (MM) PIT LADDER TYPE E



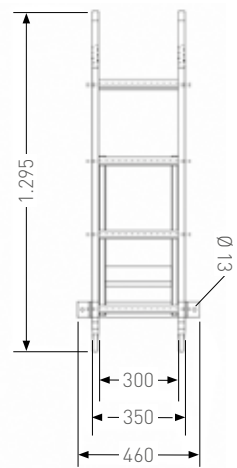
Item No.	Description	2-part foldable	Angle of inclination	DIN EN 81-20 Compliant Pit Depth (HSG) max. or smaller
0370225010	Pit ladder type E, 2.25 m/long + DIN EN 81/20 + DIN EN 81/50	•	70°	1.01 m

ACCESSORIES

Item No.	Description
304999001	Metal support with electrical switch
304999002	Wall mounted adapter
303999006	Hook profile variant 1, rigid hang-in depth 35 mm
303999007	Hook profile variant 2, for revolving doors with 2 spigots
303999008	Hook profile variant 3, space-saving and tiltable
303999009	Hook profile variant 4, flexible hang-in depth (two-part) from 48 to 68 mm



Pit ladder type E1, unfolded app. 3,40m long



PIT LADDER TYPE E1

This 3-piece folding ladder is especially suitable for shaft pits which do not allow the fixing of a pitladder to the shaft wall or if floor fixing is required due to design reasons (e.g. panoramic lifts).

Thanks to its two pairs of hinges, type E1 is the ideal access ladder in shafts with low shaft depths and high pit depths.

The pit ladder type E1 is available in three lengths.

OPTIONAL: Electrical switch plus holder.

The pit ladder is equipped with an adjustable hook profile which has to be placed in the sill groove to avoid tilt back during use. If the ladder can be installed only parallel to the shaft door opening, an optional electrical switch should be used. The switch can be installed on the floor or at the shaft wall alternatively. The ladder is pulled up from the pit with a

chain and locks in automatically. After use, the type E1 is unlocked with a separate release rope before it can be folded back into the pit. The floor-mounted jack ensures a safe ladder position at any time. It also functions as a guiding system when the ladder is brought from a folded position into an unfolded position. For hydraulic lifts the jack can be fixed to the shaft wall with an additional wall mounted adapter in order to avoid drill holes on the shaft floor which are generally not allowed.

The ladder comes with fixing material. Besides the electrical switch and the jack holder for hydraulic lifts it can also be equipped optionally with a hand-rail extension.

The aluminium ladder complies with DIN EN 131 + DIN EN 81-20/50 requirements.

FURTHER LENGTHS UPON REQUEST!



Europäisches Patentamt
European Patent Office
Office européen des brevets
Patent Nr. 1609943



Item No.	Description	3-part foldable	Number of steps	Angle of inclination	DIN EN 81-20 Compliant Pit Depth (HSG) max. or smaller
0370175020	Pit ladder type E1, 1.75 m/long + DIN EN 81/20 + DIN EN 81/50	•	3x2	70°	0.54 m
0370246020	Pit ladder type E1, 2.46 m/long	•	3x3	70°	1.21 m
0370340020	Pit ladder type E1, 3.40 m/long	•	3x4	70°	2.09 m

ACCESSORIES

304999001	Metal support with electrical switch
304999002	Wall mounted adapter
303999006	Hook profile variant 1, fixed hook depth 35mm
303999007	Hook profile variant 2, with 2 studs for swing doors
303999008	Hook profile variant 3, space-saving and collapsible
303999009	Hook profile variant 4, flexible hook depth (two-part) from 48 to 68mm

PIT LADDER TYPE F

This static stepladder has spacers that pivot forward. A spring mechanism ensures that the ladder lies directly against the shaft wall, leaving a gap to the floor of the shaft, when it is not being used.

This means that a small installation depth of only around 80–90 mm (depending on the length of the ladder) is required. The step depth required by accident prevention regulations is respected if the ladder is pulled as far forward as possible in an 85° movement until it rests on the floor of the shaft. The ladder can then be used. The ladder automatically returns to the shaft wall once weight is removed from it.

BENEFITS: • Quick and cost-efficient solution • Suitable for use in narrow spaces • Thanks to the spring mechanism, there is no need for a monitoring contact to monitor the position of the ladder • The spacers can be attached to any crimped ladder step with a standard external width of 350 mm and a step profile of at least 30x30 mm • Short installation time

The aluminium ladder complies with DIN EN 131 + DIN EN 81-20/50 requirements.

The delivery includes various mounting parts.

FURTHER LENGTHS UPON REQUEST!



Europäisches
Patent Nr. 1609943

Item No.	Description + DIN EN 81/20 + DIN EN 81/50 +	Angle of inclination	DIN EN 81-20 Compliant Pit Depth (HSG) max. or smaller
3752150000	Pit ladder type F, 1.50 m/long	90°	0.40 m
3752180000	Pit ladder type F, 1.80 m/long	90°	0.70 m
3752250000	Pit ladder type F, 2.50 m/long	90°	1.40 m
3752300000	Pit ladder type F, 3.00 m/long	90°	1.90 m
3752360000	Pit ladder type F, 3.60 m/long	90°	2.50 m
3753410000	Pit ladder type F, 4.10 m/long	90°	3.00 m



LOCKABLE SUSPENSION FITTING FOR LADDER

GALVANISED LOCK BOX WITH 3-EDGE LOCK

Item No.	Description
303999001	Length 25cm, depth 4.5cm, height: 10cm. For ladder stiles with max. 58mm and steps 29x29mm. With fixing material for walls

GALVANISED LOCK BOX WITH PAD-LOCK OPTION

Item No.	Description
303999002	Length 25cm, depth 4.5cm, height: 10cm. For ladder stiles with max. 58mm and steps 29x29mm. With fixing material for walls



PIT LADDER TYPE J



Mobile aluminium ladder meant for placement at the door threshold. Folds together to a handy size in stowed position. It can be stowed at the shaft wall.

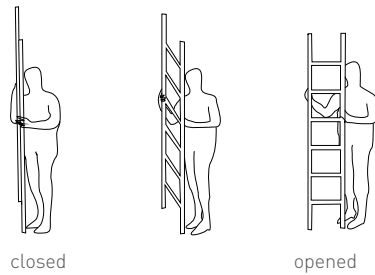
Available in lengths from 1.80m up to 4.30m (closed) and 1.45 m up to 4.00m (opened).

FEATURES: • The pit ladder type J can be folded together to a space-saving bar of only 64x48mm. Thus, it can be easily stowed on the shaft wall. • The ladder opens itself easily and without effort. • With a weight of less than 2.25kg/m the ladder can be mounted easily at the door

threshold. • The ladder locks itself automatically when unfolded. It is equipped with anti-skid rubber feet. • The ladder withstands forces of up to 350 kg. • The rungs are 37mm wide with slightly curved upper side and anti-slip grooves. • High quality and durability thanks to aluminium alloy AlMgSi0,5/F25, anodised. Axles and rivets made of stainless steel A2 70 DaN/mm².

The aluminium ladder type J complies with DIN EN 131.

OPTIONAL ACCESSORIES: • Anti-skid floor edging
• Surveillance contact



Item No	Description / Length of Ladder closed / opened	Number of Steps	with floor attachment	Angle of inclination	DIN EN 81-20 Compliant Pit Depth (HSG) max. or smaller
0335180000	Pit ladder type J, 1.80 m / 1.45 m +DIN EN 81/20+ +DIN EN 81/50+ ✓	4	•	70°	n.a.
0335210000	Pit ladder type J, 2.10 m / 1.75 m	5	•	70°	0.59 m
0335235000	Pit ladder type J, 2.35 m / 2.00 m	6	•	70°	0.78 m
0335265000	Pit ladder type J, 2.65 m / 2.30 m	7	•	70°	1.06 m
0335290000	Pit ladder type J, 2.90 m / 2.60 m	8	•	70°	1.34 m
0335320000	Pit ladder type J, 3.20 m / 2.85 m	9	•	70°	1.58 m
0335350000	Pit ladder type J, 3.50 m / 3.15 m	10	•	70°	1.86 m
0335375000	Pit ladder type J, 3.75 m / 3.40 m	11	•	70°	2.09 m
0335405000	Pit ladder type J, 4.05 m / 3.70 m	12	•	70°	2.38 m
0335430000	Pit ladder type J, 4.30 m / 4.00 m	13	•	70°	2.66 m

ACCESSORIES

Item No	Description
303999003	Floor attachment for pit ladder
309999002	Floor attachment and chain for ladder type J
309999003	Set of pit ladder hooks for ladder type J
309999004	Set of floor brackets for ladder type J
309999005	Wallholder for the ladder type J with position switch



PIT LADDER TYPE S

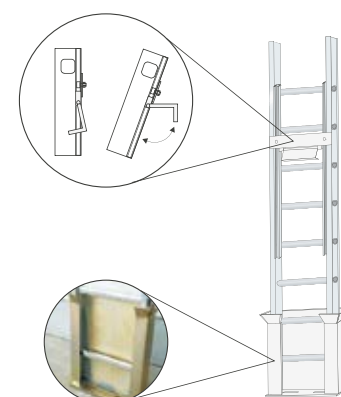
Mobile pit ladder with hook profile meant for placement in the groove of a telescopic or centrally opening lift door. This pit ladder type is especially suitable in cases where fastening to the shaft wall or stowage on the shaft floor is impossible.

The ladder is vertically stowed in a floor-mounted holder close to the lift door. The hook profile (20°) folds away automatically in stow position and avoids tilt back during use. It is mounted on two guide rails and can be adjusted within a range of approx. 1.000 mm according to the given pit depth. That

saves costly changes on site, facilitates planning and ensures a safe angle of inclination during use. The hook profile is equipped with synthetic buffers on each side to prevent damage to the lift doors. A metal chain connects the ladder with the lift shaft. Holder and fixing material come with every ladder. Set-up height is only 65mm.

The ladder complies with DIN EN 131.

**FURTHER LENGTHS
UPON REQUEST.**



Item No.	Description	with floor attachment	Angle of inclination	DIN EN 81-20 Compliant Pit Depth (HSG) max. or smaller
0395150010	Pit ladder type S, 1.50 m/long <small>+ DIN EN 81/20 + + DIN EN 81/50 +</small>	•	70°	0.31 m
0395180010	Pit ladder type S, 1.80 m/long	•	70°	0.59 m
0395250010	Pit ladder type S, 2.50 m/long	•	70°	1.25 m
0395300010	Pit ladder type S, 3.00 m/long	•	70°	1.72 m
0395360010	Pit ladder type S, 3.60 m/long	•	70°	2.28 m
0395410010	Pit ladder type S, 4.10 m/long	•	70°	2.75 m

ACCESSORIES

Item No.	Description
303999003	Floor attachment for pit ladder
305999002	Floor holder

LADDERS FOR FITTERS

Plug Ladder	53
Double Sided Step Ladder	53
Dual Purpose Ladder Type M	54
Four-Part Telescopic Ladder	54
Telescopic combination ladder	55
Telescopic Ladder	55
Standard Ladders And Scaffolds	55

PLUG LADDER

PACKING MEASURES:

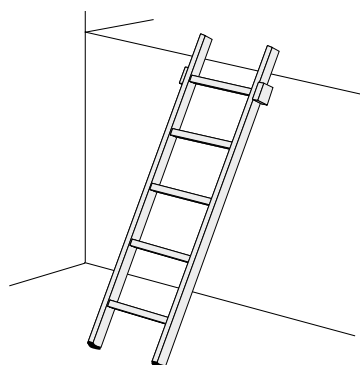
Ladder width top: 0,34m

Ladder width bottom: 0,43m

Weight: ca. 4,4kg per ladder

Allowed work load for a three part ladder: 150kg

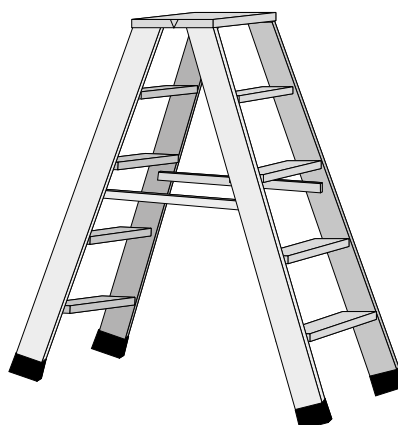
ADVANTAGES: • moderate packing measures • extendable up to ca. 4 m length • economic solution • safe stand due to robust plug mechanism • light-weight aluminium



Item No.	Description		ladder length (m)
35202165001	ALU plug ladder single middle part	5 rungs	1,65m
35202165012	ALU plug ladder single lower part	5 rungs	1,65m
35202165022	ALU plug ladder single upper part	4 rungs	1,68m

DOUBLE SIDED STEP LADDER

ADVANTAGES: • low packing measures • wide platform without clefts • secure stand due to solid polyester restraint straps • light-weight aluminium



STEP LADDER ACCESSIBLE FROM ONE SIDE

Item No.	Description	ladder length (m)
35002088001	ALU step ladder, 1,83 m/lg., 1x4 steps	3,00
35002148001	ALU step ladder, 2,26 m/lg., 1x7 steps	3,50

DOUBLE SIDED STEP LADDER

Item No.	Description	working height (m)
35002074001	ALU double sided step ladder, 0,82 m/lg., 2x3 steps	2,20
35002075001	ALU double sided step ladder, 0,75 m/lg., 2x3 steps	2,25
35002095001	ALU double sided step ladder, 0,97 m/lg., 2x4 steps	2,45
35002095002	ALU double sided step ladder, 1,09 m/lg., 2x4 steps	2,70
35002120001	ALU double sided step ladder, 1,20 m/lg., 2x5 steps	2,65
35002120002	ALU double sided step ladder, 1,36 m/lg., 2x5 steps	2,95
35002140001	ALU double sided step ladder, 1,43 m/lg., 2x6 steps	2,85
35002143001	ALU double sided step ladder, 1,63 m/lg., 2x6 steps	3,20
35002165001	ALU double sided step ladder, 1,66 m/lg., 2x7 steps	3,10
35002190001	ALU double sided step ladder, 1,90 m/lg., 2x8 steps	3,35
35002230001	ALU double sided step ladder, 2,30 m/lg., 2x10 steps	3,65
35002235001	ALU double sided step ladder, 2,35 m/lg., 2x10 steps	3,75



Details: Aluminium plug ladder with rectangular light metal steps, replaceable non-slip caps



Details: Corrosion resistant rectangular stiles made of extruded aluminium alloy, 80mm deep steps. Ladder conforms to DIN and BGV D 36.



Step modul

DUAL PURPOSE LADDER TYPE M

Contrary to aluminium, glass reinforced polyester is non-conductive and has a higher cold and heat resistance. The type M ladder is designed for a maximum voltage of 30.000Volt. Non-conductive dual purpose ladder for fitters and service personnel. Can be used as double sided steps or as ladder. Grace to the two-piece design with steel hinges the ladder can be easily folded away to a handy size for storage or transport also in small cars.

The ladder has rectangular glass reinforced polyester stiles 58x25 mm and 2x3 aluminium rungs. Bottom end equipped with light metal stabiliser bar 660mm long.

Ladder components conform to DIN und VBG 74.

PACKING MEASURES:

Length: 1.000mm (unfolded ca. 1.920mm)

Width: 350mm (ca. 660mm with bar)

Height: 135mm

Weight: ca. 6,0kg

Automatically locking steel hinges allow positioning at 0°, 35° and 180°. The anti skid shoes and the stabiliser bar guarantee a safe working environment.

OPTIONAL: A „caddy“, suitable for the multi-purpose ladder, is available as an accessory. The multi-purpose ladder can be used as a sack trolley when used in conjunction with the „caddy“. An ideal aid for the fitter for easy transportation of tool boxes and devices.



Details: Caddy with 2 rollers, max. load of 50kg, foldable bearing surface, locking rod, fully galvanized (steel)
Weight: 8,5kg

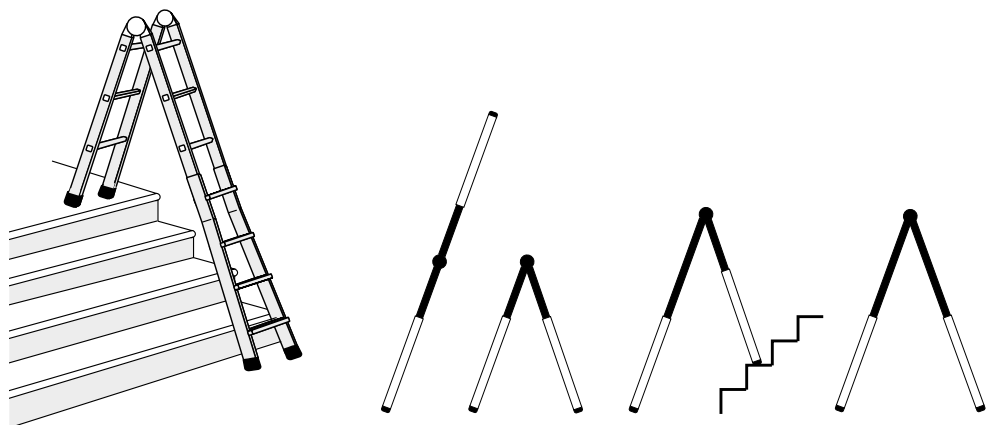
Item No.	Description	length of ladder (m)
0174190002	Dual purpose ladder for fitters, type M	1,52

ACCESSORIES

Item No.	Description
020999001	Caddy
352999007	Step module MaxxStep, length 276 mm, step depth 80 mm

FOUR-PART TELESCOPIC LADDER

ADVANTAGES: • handy size for storage • moderate packing measures for transport • versatile use • can be used on stairways • light-weight aluminium



Item No.	Description
35010310002	Four-Part Telescopic Ladder, 4x 3 steps
35010420002	Four-Part Telescopic Ladder, 4x 4 steps
35010530002	Four-Part Telescopic Ladder, 4x 5 steps
35010640002	Four-Part Telescopic Ladder, 4x 6 steps

ACCESSORIES

Item No.	Description
35017000001	Beam extension for Four-Part Telescopic Ladder



Details: Aluminium ladder with each half independently adjustable from rung to rung using spring loaded rung locks. Strong central hinges with automatic locking pins. Non-slip caps on all stile sections.

TELESCOPIC COMBINATION LADDER

DETAILS: • Mini format for transport, flexible in use as a leaning ladder and stepladder • When pushed together, the ladder fits in every trunk • May be used as a leaning ladder or stepladder when fully extended • Wide steps ensure comfort when climbing up and down • Rails abrasion-resistant anodized • Original

TELESTEPS with proven AUTOSTEPS-mechanism • Steps and rails made of extruded aluminum profiles • Vertical rung / step spacing: 300mm • Rung / step type: corrugated • Step depth: 90mm • Coating: anodized • Load max. 150kg

	Telescopic combination ladder 2,30m	Telescopic combination ladder 3,00m
Ladder length extended (m)	2,30	3,00
Ladder length retracted (m)	0,71	0,78
Working height (m)	3,60	4,20
Crossbar width (m)	0,69	0,77
Weight (kg)	14,50	20,0
Number of steps	6+2	8+2
Transport dimensions (mm)	710x590x160	800x600x170

Item No.	Description	Ladder length (m)
113230000	Telescopic combination ladder	2,30
113300000	Telescopic combination ladder	3,00

ACCESSORIES

Item No.	Description
350999014	Tool tray for telescopic combination ladder

TELESCOPIC LADDER

ADVANTAGES: • extremely moderate packing measures • low weight • easily adjustable • ideal for a variety of jobs • light-weight aluminium

Item No.	Description	Ladder length (m)
1135266000	Telescopic leaning ladder	2,66
1136300000	Telescopic ladder Prime Line	3,00
1135380000	Telescopic leaning ladder	3,80
1133800000	Telescopic ladder Classico	3,80
1136410001	Telescopic ladder Prime Line	4,10



Details: Non-wear, solid aluminium alloy ladder. DIN EN 131 compliant with TÜV GS-seal of approval for tested safety.

STANDARD LADDERS AND SCAFFOLDS



Mobile scaffolds, with supports or collapsible



Mobile shelf ladders



Pull-up ladders, 2-part, 3-part

FURTHER PRODUCTS UPON REQUEST!

LIFT MODERNISATION

Telescopic Car Apron / Toe Guard	57	Housing for Governor	
Three-Part Telescopic Apron	58	Tensioning-Weight Pulley	63
Shaft Door Apron	58	Tensioning-Weight Switch Kit	63
Shaft wall covering	59	Switch Curve With Final Limit Switch	64
Finger Protection for Sheaves And Pulleys	59	Universal Floor Edging	64
Deflection Roller Protection for Inclined Cable Outlet	60	One-Sided Cabin Guard Rails	65
Housing for Governor	60	Three-Sided Fixed Car Guard Rails	65
Counterweight Protection for Attachment To The Wall	61	Three-Sided Telescopic Guard Rails	66
Counterweight Protection for Attachment to Guide Rails	61	Bolted-Type Anchorage Points for Personal Security According to DIN EN 795	67
Shaft Partitions	62	Anchorage Points for Loads	68
		Anchorage Points for Welding	68
		Holder for Hand Wheels	69



TELESCOPIC CAR APRON / TOE GUARD

1-to 3-piece car apron for different door widths intervals. Can be adjusted on project site subject to the given car measures.

The elements are all 750 mm high and have a bevelled edge at the bottom. The car apron is fixed to the car from below with sheet metal screws.

The telescopic design allows savings of time and money in the planning and calculation phase. In addition, stocking can be facilitated without the need of purchasing rare

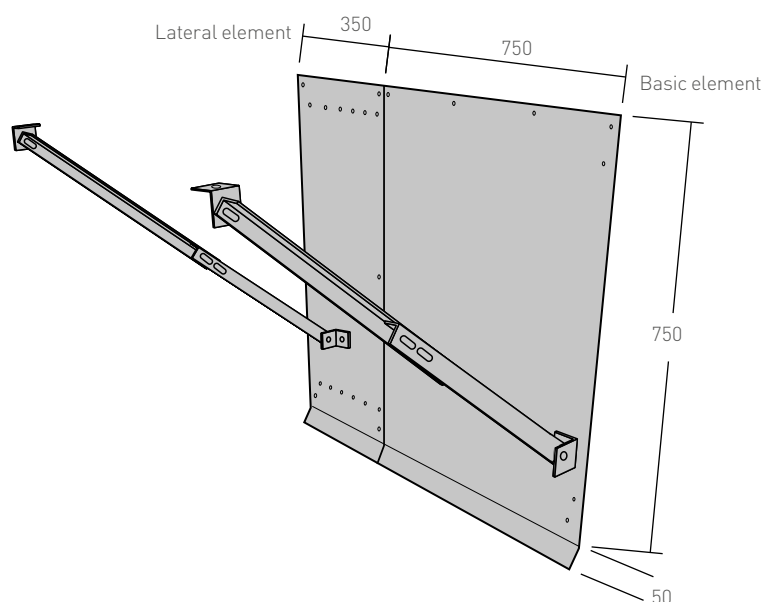
measures binding too much capital. Furthermore, quick response to customer needs in urgent cases is possible.

According to DIN EN81-20 paragraph 5.4.5

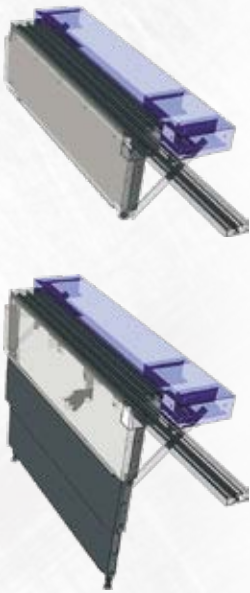
Toe guards available for door width intervals ranging from 750 mm up to 2,800 mm.

Details: Galvanised sheet steel; 1.5mm strength, incl. fixing material

FURTHER DIMENSIONS AVAILABLE UPON REQUEST!



Item No.	Description
2321075000	Telescopic car apron for door widths up to 750 mm
2321085000	Telescopic car apron for door widths up to 850 mm
2321095000	Telescopic car apron for door widths up to 950 mm
2321115000	Telescopic car apron for door widths 850 to 1,150 mm
2321145000	Telescopic car apron for door widths 1,150 to 1,450 mm
2321175000	Telescopic car apron for door widths 1,450 to 1,750 mm
2321205000	Telescopic car apron for door widths 1,750 to 2,050 mm
2321280000	Telescopic car apron for door widths 2,100 to 2,800 mm



According to DIN EN81-20 paragraph 5.4.5

THREE-PART TELESCOPIC APRON

Vertical telescopic lift car apron for use in low shaft pits. In the case of shaft pits that are at least 400 mm deep, the required length of 750 mm can be produced by extending the telescopic apron.

The apron is not extended during normal operation and has a height of around 300 mm. The retracted apron sheets are held in place by a magnet. If released or if a power failure occurs, the apron sheets move to the required apron height automatically. The telescopic apron must then be put back in place manually by trained personnel. Thereafter, the system can be used again in normal operation. To ensure that the system functions correctly, the shaft door emergency release devices must be fitted with an additional door contact to be provided by the customer. These measures must be agreed with the responsible inspection authority.

BENEFITS: • High level of safety thanks to automatic deployment when the shaft door emergency release device is released in comparison with the manual solution • No impact noise when the lower halt board is hit, since it is not constantly extended • No mechanical wear • Simple manual resetting of extended apron • Position monitoring with contact switch • Several car aprons can be placed in line for greater door widths

DETAILS: • Height collapsed 300 mm, expanded 750 mm • Width 700 mm to 1,300 mm • 24 V supply voltage, 12 W service output, 24 W activating power • Monitoring with final position switches: 1 NC / 1 NO

Delivered in assembled state.

Item No.	Description
2323070000	Three-part telescopic apron for door widths 700 mm
2323080000	Three-part telescopic apron for door widths 800 mm
2323090000	Three-part telescopic apron for door widths 900 mm
2323100000	Three-part telescopic apron for door widths 1,000 mm
2323110000	Three-part telescopic apron for door widths 1,100 mm
2323120000	Three-part telescopic apron for door widths 1,200 mm
2323130000	Three-part telescopic apron for door widths 1,300 mm

SHAFT DOOR APRON

The height of the element is 300 mm and has a chamfered edge on the bottom side according to DIN EN81-20 paragraph 5.2.5.3.4.

The shaft door apron is fixed with sheet metal screws which can be ordered optionally.

Shaft door widths (X) from 700 mm to 2,500 mm are available.



Details: galvanised sheet steel; 1,5 mm thickness, sheet metal screws optional

Item No.	Description
2322070000	Shaft door apron for door widths 700 mm
2322080000	Shaft door apron for door widths 800 mm
2322090000	Shaft door apron for door widths 900 mm
2322100000	Shaft door apron for door widths 1,000 mm
2322110000	Shaft door apron for door widths 1,100 mm
2322120000	Shaft door apron for door widths 1,200 mm
2322130000	Shaft door apron for door widths 1,300 mm
2322140000	Shaft door apron for door widths 1,400 mm
2322150000	Shaft door apron for door widths 1,500 mm
2322160000	Shaft door apron for door widths 1,600 mm
2322170000	Shaft door apron for door widths 1,700 mm
2322180000	Shaft door apron for door widths 1,800 mm
2322190000	Shaft door apron for door widths 1,900 mm
2322200000	Shaft door apron for door widths 2,000 mm
2322210000	Shaft door apron for door widths 2,100 mm
2322220000	Shaft door apron for door widths 2,200 mm
2322230000	Shaft door apron for door widths 2,300 mm
2322240000	Shaft door apron for door widths 2,400 mm
2322250000	Shaft door apron for door widths 2,500 mm

SHAFT WALL COVERING

The Stingl shaft wall covering according to EN81-20 5.2.5.3.1 consists of flame-retardant hard foam boards in two plate thicknesses 60 and 100 mm, each with a dimension of (LxW) 1,250x600 mm. The panels can be cut with a suitable knife/saw to the desired size on site. Optionally the hard foam panels are easily and quickly fixed with suitable hard foam panel holders or with a facade adhesive (building material class B1

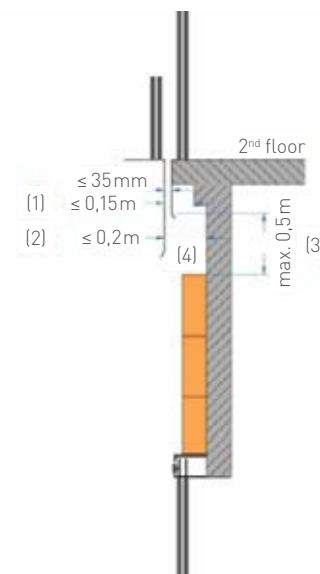
flame resistant) to the shaft wall. The horizontal distance between the inner shaft wall and the threshold must not exceed over the entire shaft height 0.15 m (1). The upper specified distance may be increased to max. 0.20 m (2), if the height does not exceed 0.50 m (3). Between two consecutive shaft doors only one recess is allowed (4).



Hard foam boards



Hard foam plate holder metal



Shaft wall covering

HARD FOAM BOARDS

Item No.	Description	Dimensions (HxWxD mm)
23600060064	Hard foam board waffled	1250x600x60
23600060104	Hard foam board waffled	1250x600x100

ACCESSORIES

Item No.	Description	Length
170999021	Hard foam plate holder metal	70 mm
170999022	Hard foam plate holder metal	100 mm



Hard foam board placed

FINGER PROTECTION FOR SHEAVES AND PULLEYS

Product conforms with harmonised requirements according to DIN EN81-20 paragraph 5.5.7. Allows protection of fitters working at or near sheaves and pulleys. A left and right variant is available.

BENEFITS:

- Telescopic design allows working with one product in different scenarios which reduces planning time and expenses
- Fast installation (approx. 20 minutes per protection) leading to time and cost savings
- The product protects solely the critical danger points. Fitters are not unnecessarily limited in their handling during maintenance work
- Guaranteed optimal sight and access to all

parts which have to be checked

- No need for dismantling during inspection work
- Accessories available in case of critical fixing ground or for special measures
- TÜV-conformity declaration according to DIN EN81-1:1998, §9.7 in place.

525 mm – max. height; 150 mm max. sheave width

Extension parts to increase the height of the finger protection to 675 mm and to allow the covering of sheaves of max. up to 220 mm width available upon request.

Details: Galvanised steel, 4 mm, laser cut, high variability in height and width thanks to telescopic design, incl. fixing material

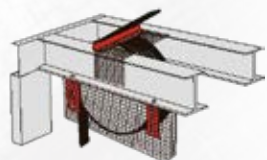


Item No.	Description
23102015001	Finger protection 525/150-01, left
23102015002	Finger protection 525/150-01, right
23104396801	Extension part for finger protection, left
23104396802	Extension part for finger protection, right
231999006	Extension part for sheave widths up to 220 mm

7



Scenario 1



Scenario 2

DEFLECTION ROLLER PROTECTION FOR INCLINED CABLE OUTLET

Appropriate protective devices must be fitted on deflection roller infeeds to prevent accidents such as extremities or parts of clothing being accidentally pulled in. There are two different scenarios depending on the position of the deflection roller.

BENEFITS: If the deflection roller rises above the machine frame to a maximum of 10 cm (scenario 1), a tube deflector can be used to provide suitable protection • If the deflection roller is set down into the machine frame (scenario 2), a perforated plate reinforced with an L-bracket affords sufficient protection.

DETAILS: • In both cases, the area below the machine frame can be secured using perforated plate and the assembly brackets included in the scope of supply • This roller protection is designed for deflection rollers with an inclined cable outlet, a maximum width of 300 mm, and a maximum roller diameter of 500 mm • This deflection roller protection is not suitable for deflection rollers that rise • More than 10 cm above the machine frame!

ATTENTION: For deflection, the more than 10 cm above the machine frame, this protection is not suitable!

Item No.	Description
2310305001	Deflection roller protection for inclined cable outlet, max. roller width of 300 mm, max. roller diameter of 500 mm

HOUSING FOR GOVERNOR

Perforated steel box, 2 parts, galvanised, optionally in two dimensions:

Item No.	Description	Measures	Telescopic Depth
23101393401	Housing For Governor	385x340 mm (HxW)	120–190 mm
23101506001	Housing For Governor	500x600 mm (HxW)	120–200 mm

The housing is adjustable in an interval of 120–190 mm and 200 mm, respectively! The housing comes with two fixing bolts.

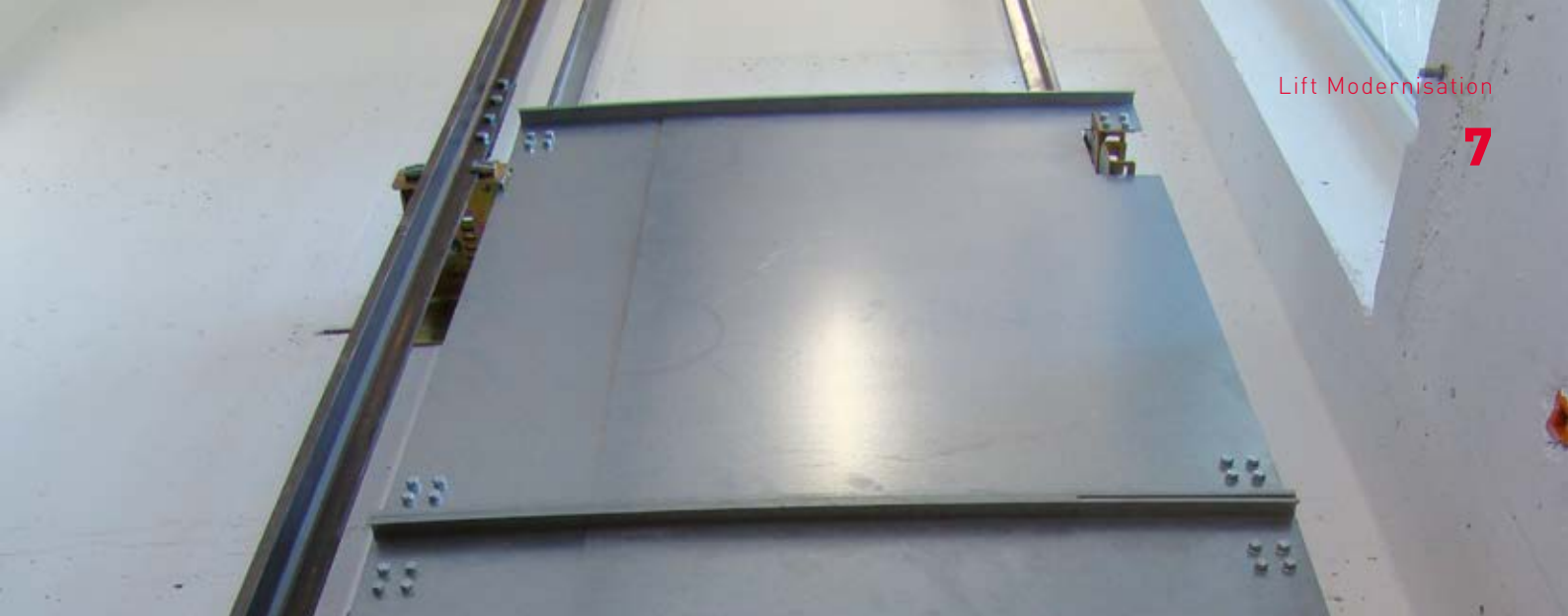


Convenient fixing with bolts or screws



Comfortable handle





COUNTERWEIGHT PROTECTION FOR ATTACHMENT TO THE WALL

DESCRIPTION: The basic kit consists of 8 galvanised steel panels (perforated) including fixing material. The covered area has a width up to 1,240mm and a depth up to 300mm.

PANEL THICKNESS: 1.5mm

Delivery includes c-profile channels, brackets and fixing material.

Additional panels can increase the width up to 1.600m and the depth up to 450mm.

According to DIN EN 81-20 paragraph 5.2.5.5.1, the mounting has to be done with a distance of max. 300 mm between shaft floor and the lower edge of the counterweight protection.

Item No.	Description
231999002	Counterweight protection acc. to EN 81 and EN 294 (basic kit and extension panel), width up to 1.240mm, depth up to 300mm

ACCESSORIES

23402220001	Extension panel, 2,200x310x1.5 mm
23402220002	Extension panel, 2,200x150x1.5 mm



Details: Galvanised perforated steel plates (mesh width 8x8mm)

COUNTERWEIGHT PROTECTION FOR ATTACHMENT TO GUIDE RAILS

DESCRIPTION: The counter-weight protection consists of two bevelled steel panels, horizontal telescopic up to a max. width of 1,250mm. The cover is fixed to the guide rail with clips. According to DIN EN 81-20 paragraph 5.2.5.5.1, the mounting has to be done with a distance of max. 300mm between shaft floor and the lower edge of the counterweight protection.

BENEFITS: • Prevention of accidents in the counterweight danger area • Flexible use because of variable width • Simple installation thanks to few parts

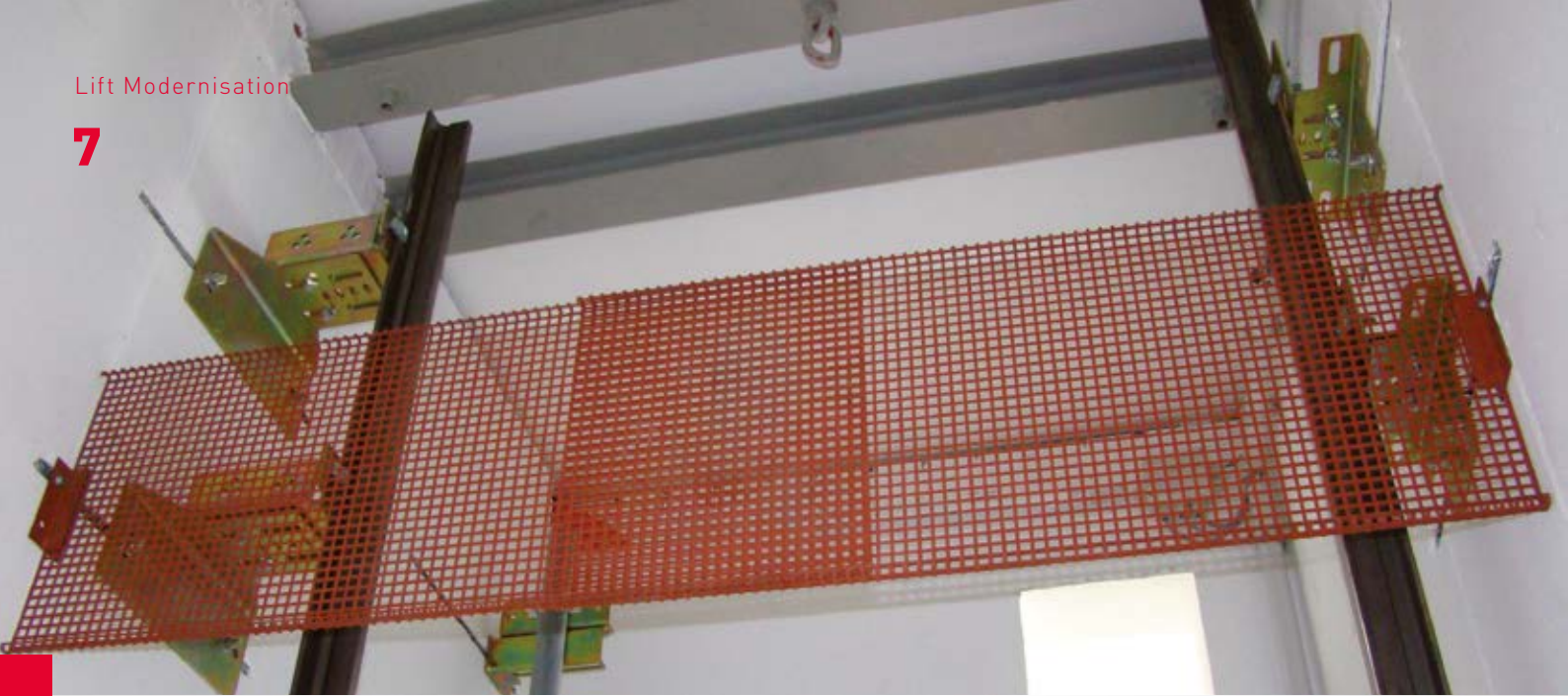
WIDTH OF THE SINGLE ELEMENT: 1,000mm

Delivery with fixing material.

Item No.	Description
231999003	Counterweight protection acc. to EN81 and EN294 (solid material)



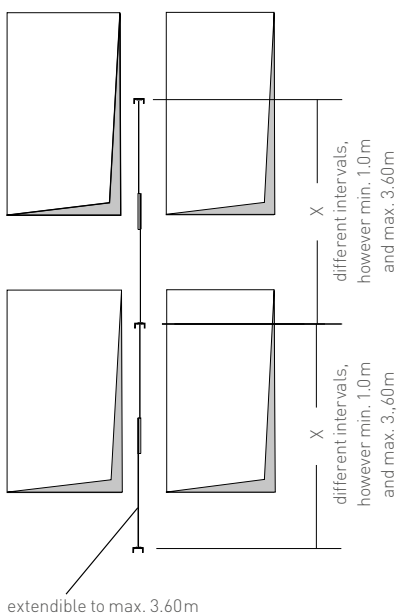
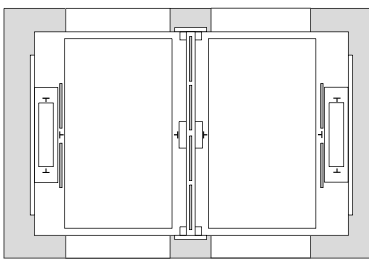
Details: Material steel plates made of galvanised steel 1.5mm



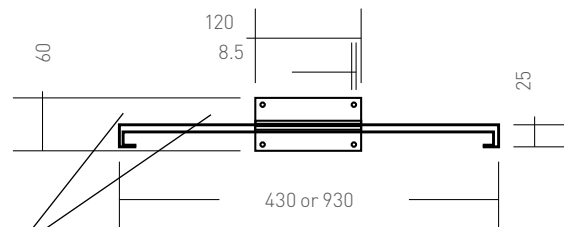
SHAFT PARTITIONS

During modernizing installations, it may be difficult or impossible to install this wire netting because of existing equipment. In such cases, the free space between the cross beams is often the only place to insert a partition.

Because of the different gaps between the beams, it is not really possible to determine standard dimensions for partition walls. In order to cope with the different gaps between the beams, an extraction mechanism is used to modify the height of the partition wall in line with the beam gap. It is then fixed to the beam using a spot weld or bolt connection.

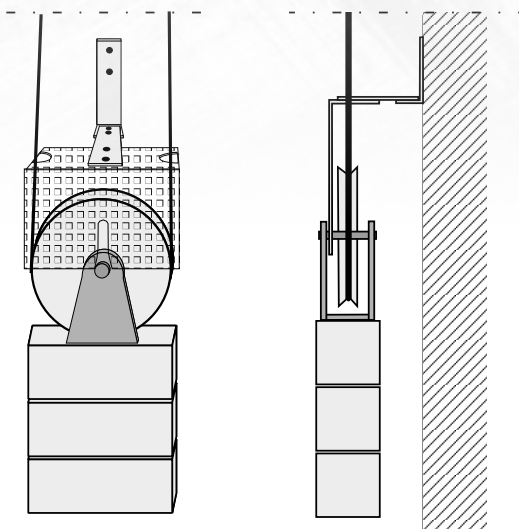


Item No.	Description	Element Width/Adjustable Intervals (mm)
0454301526	Shaft partitions type A	430/1,500–2,600 mm
0454301521	Shaft partitions type B	430/1,500–2,100 mm
0454301016	Shaft partitions type C	430/1,000–1,600 mm
0459302036	Shaft partitions type D	930/2,000–3,600 mm
0459301521	Shaft partitions type E	930/1,500–2,100 mm
0459301016	Shaft partitions type F	930/1,000–1,600 mm
0454302036	Shaft partitions type G	430/2,000–3,600 mm
0459302026	Shaft partitions type H	930/2,000–2,600 mm
0454302026	Shaft partitions type I	430/2,000–2,600 mm
0454302031	Shaft partitions type J	430/2,000–3,100 mm
0459302031	Shaft partitions type K	930/2,000–3,100 mm
0459301526	Shaft partitions type L	930/1,500–2,600 mm



A partition unit consists of two partition elements that are movable

HOUSING FOR GOVERNOR TENSIONING-WEIGHT PULLEY



CONCEPT 1

Protection device consisting of perforated plates, to be attached to the shaft wall. In addition, the governor tensioning weight can optionally be monitored with a switch set.

DETAILS: Material: galvanised steel perforated plate, 1,5 mm, mesh width of 10x10 mm • Dimensions: can be used for rollers of between 200 mm and 400 mm • Delivered with incidentals for attachment to the wall.

BENEFITS: • Prevention of accidents such as extremities or clothing becoming trapped • Flexible use with different roller sizes • In the case of roller sizes of up to 300 mm, the guard can also be used at high speeds • Optional additional switch set for monitoring the tensioning weight, to be attached to the floor or wall

CONCEPT 2

Protection device consisting of bent flat steel, two-part system with brushing inserts that encompass the rope and protect the rope entry and exit points from falling objects. The system is mounted directly onto the axle support of the tensioning rope roller.

DETAILS: • Material: bent flat steel, two parts of galvanised steel, 1,5 mm, with brushing inserts • Dimensions: can be used for 200 mm or 300 mm rollers • Delivered without mounting parts as no additional material is required.

BENEFITS: • Prevention of damage from falling objects • Flexible use with different roller sizes • Casing swings along with the roller • Additional switch set for monitoring the tensioning weight can be attached to either the floor or wall

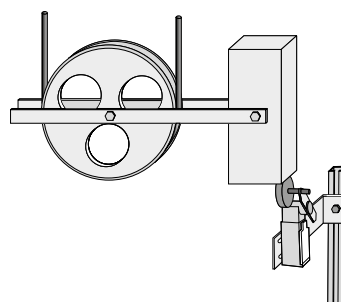
Item No.	Description
23103040001	Housing for governor tensioning weight pulley. For roller diameter from 200 mm up to 400 mm Housing: galvanised perforated steel plate 1
23103030001	Housing for governor tensioning weight pulley. For roller diameter of 200 mm or 300 mm Housing: bent flat steel and brushing inserts 2

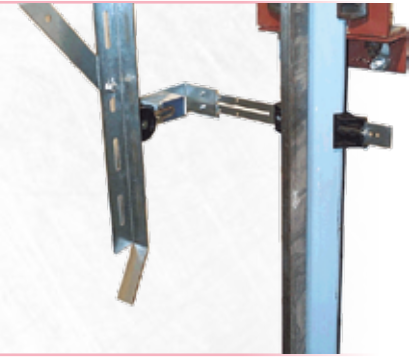
TENSIONING-WEIGHT SWITCH KIT

The tensioning-weight switch kit allows supervision of the governor tensioning weight.

The switch kit is fixed to the floor or the shaft wall with a mounting angle and a C-profile. Both, mounting angle and C-profile allow a very accurate adjustment. To reset the lever a release button has to be pulled.

Item No.	Description
231999005	Tensioning-weight switch kit for supervision of governor tensioning weight





SWITCH CURVE WITH FINAL LIMIT SWITCH

According to EN 81-1/EN 81-2 a limit switch is required. Pursuant to DIN EN 81-2 it has to be placed in following related cylinder ram position: upper track end of the lift car.

The limit switch has to meet the following requirements: • Immediately after the car passes through the upper stop, the limit switch is activated while normal operation of the lift is still possible • The limit switch must be activated before the cylinder ram reaches the damped stop (12.2.3).

The limit switch has to respond over the entire damped stop area.

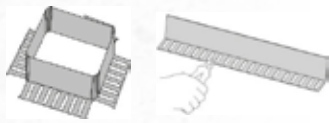
Limit switch and mounting set for guide rails are separately available or as a kit:

- Switch curve, operating length = 750 mm
- Mounting set for guide rails
- Limit switch with rubber roll
- Flexible mounting set to fix the limit switch in line or in a 90° angle.

Item No.	Description
90301000001	Magnet holder extension kit
90301000002	Magnet holder extension kit for position switch support
90302000001	Position switch with reel lever, adjustable
90302000002	Position switch with reel lever
903999001	Position switch holder for guide rail mounting
903999002	Switch curve for final limit switch, 930 mm, galvanised
903999003	Connector kit for switch curve, galvanised
903999004	Bracket kit for final limit switch, galvanised

Application 1:

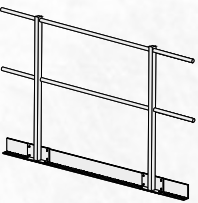
Floor edging, e.g. for ceiling openings



2 strips can be used for larger openings.

Application 2:

Kick board, e.g. for car guard rails



UNIVERSAL FLOOR EDGING

Galvanised L-profile with long hole perforation.

MEASURES: 40x100 mm, 1.200 mm length

Universal floor edging for square ceiling openings. Prevents objects from falling through openings in machine – and pulley rooms as well as foundations.

The L-profile is cut to the desired size, bent and then doweled.

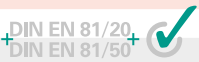
BENEFITS: • Simple and quick installation • Only the L-profile part with the long holes needs to be cut • Universal application

Item No.	Description
2331200050	Floor edging 1.200x50x40x1 mm
2331200100	Floor edging 1.200x100x40x1 mm

ONE-SIDED CABIN GUARD RAILS

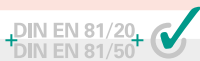
The vertical supports can be fitted on the car roof wherever space is available. Excentric positioning is possible due to the fact, that the horizontal bars are lead through the supports. Hand and knee rails can be cut down to the required size on site. The maximum length of the crossbars is 2.00 m.

FIXED VERSION: fully galvanised, with fixing material; **Height Variant 1:** 0.70m; **Height Variant 2:** 1.10m; **Tube diameter:** 22x2mm; **Pillars:** 40x40x2mm; Optionally the car railing can be enhanced by the addition of a toe board (edge guard), 1,200mm long and 100mm high.

Item No.	Description
0841120700	One-sided cabin guard rail fixed, 0.7m high, EN 81-20* 
0841121100	One-sided cabin guard rail fixed, 1.1 m high, EN 81-20*
0821120700	One-sided cabin guard rail fixed, 0.7m high
0821121100	One-sided cabin guard rail fixed, 1.1 m high

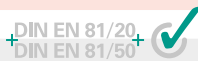


TELESCOPIC VERSION: fully galvanised, with fixing material, contact protection; **Height Variant 1:** 0.50 – 0.70m; **Height Variant 2:** 0.70 – 1.10m; **Tube diameter:** 22x2mm; **Pillars:** 45x45x2mm bzw. 40x40x3mm. Individual lengths upon request!

Item No.	Description
0841240700	One-sided cabin guard rail telescopic, 0.5–0.7m high, EN 81-20* 
0841241100	One-sided cabin guard rail telescopic, 0.7–1.1 m high, EN 81-20*
0821240700	One-sided cabin guard rail telescopic, 0.5–0.7m high
0821241100	One-sided cabin guard rail telescopic, 0.7–1.1 m high



FOLDABLE VERSION: fully galvanised, with fixing material; **Height Variant 1:** 0.70m, with 2 vertical supports and 2 horizontal bars; **Height Variant 2:** 1.10m, with 2 vertical supports and 2 horizontal bars; **Length:** 0.93–1.62m (hand and knee rails can be cut down to the required size on site). A twin contact protection ensures the surveillance of both positions.

Item No.	Description
0841130700	One-sided cabin guard rail foldable, 0.7 m high, EN 81-20* 
0841131100	One-sided cabin guard rail foldable, 1.1 m high, EN 81-20*
0821130700	One-sided cabin guard rail foldable, 0.7 m high
0821131100	One-sided cabin guard rail foldable, 1.1 m high



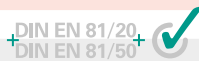
*) incl. toe board (therefore DIN EN 81-20 conform)

THREE-SIDED FIXED CAR GUARD RAILS

For the application on the car roof in case of a sufficient shaft head clearance. The 3-part fixed car guard rail can be mounted according to space and load conditions of the car roof. The circular horizontal bars (tube sections) can be shortened on site. The guard rail system can be combined with a 100 mm toe board or a circulating security net. The car guard rail can be fixed vertically or horizontally.

DETAILED INFORMATION: Round tubes made of aluminium, pipe joints fully galvanised, with fixing material • Max. length of the guard rail: 2,030mm • Max. width of the guard rail: 1,430mm • Available guard rail heights: max. height of the guard rail: 1.100mm, max. height of the guard rail: 900mm, max. height of the guard rail: 700mm

ADVANTAGES: • Flexible and simple mounting • Few components • Light-weight design • Minor mounting time

Item No.	Description
0842100700	Three-sided fixed car guard rail, 0.7m high, EN 81-20* 
0842101100	Three-sided fixed car guard rail, 1.1 m high, EN 81-20*
0822100700	Three-sided fixed car guard rail, 0.7m high
0822101100	Three-sided fixed car guard rail, 1.1 m high

*) incl. toe board (therefore DIN EN 81-20 conform)



Fully galvanised pipe joints with protective cover

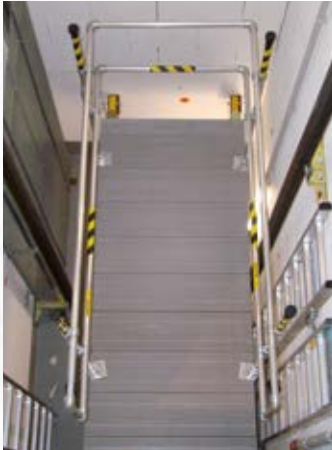


Vertical or horizontal fixing of the guard rail post



Closed run of the guard rail to avoid accidents

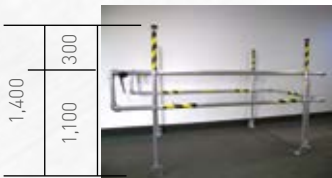




Car guard rail extracted



Car guard rail retracted



Car guard rail extracted



Car guard rail retracted

THREE-SIDED TELESCOPIC GUARD RAILS

For the application on the car roof in case of an insufficient shaft head clearance. To enter the car roof, simply use the handle to extract the guard rail to a safe height. Fitters safely operate from the floor level.

A safety switch controls the position of the car guard rail. An inspection ride on the car roof is possible as soon as the guard rail is extended and the safety switch opens/shuts.

The car guard rail is retracted by a revision ride into the shaft head, while the shaft ceiling presses it down and locks it. The 3-part telescopic car guard rail is certified by LIFTINSTITUT and conforms to DIN EN81-1/2 8.13.3.1-4, 8.13.4 and 8.13.5.5.



The car guard rail can be fixed vertically or horizontally.

The three-sided telescopic guard rail can be fixed according to space and load conditions of the car roof.

The circular horizontal bars (tube sections) can be shortened on site.

OPTION: the guard rail system can be combined with a 100mm toe board or a circulating security net.

DETAILED INFORMATION:

- round tubes made of aluminium, pipe joints fully galvanised, with fixing material
- max. length of the guard rail: 2.030 mm
- max. width of the guard rail: 1.430 mm

AVAILABLE GUARD RAIL HEIGHTS:

- Minimal distance between fixing point of vertical post on the car roof and shaft head ceiling: 880 mm max. height of the guard rail: 1.100 mm (without yellow-black pressure props of 300 mm length). Adjustable range of the guard rail height downwards: max. 520 mm
- Minimal distance between fixing point of vertical post on the car roof and shaft head ceiling: 765 mm max. height of the guard rail: 900 mm (without yellow-black pressure props of 300 mm length). Adjustable range of the guard rail height downwards: max. 435 mm. The minimal distance between top of the car roof and shaft ceiling must be taken into account to avoid damage when the guard rail is retracted !
- Minimal distance between fixing point of vertical post on the car roof and shaft head ceiling: 650 mm max. height of the guard rail: 700 mm (without yellow-black pressure props of 300 mm length). Adjustable range of the guard rail height downwards: max. 350 mm

The minimal distance between top of the car roof and shaft ceiling must be taken into account to avoid damage when the guard rail is retracted!

- ADVANTAGES:**
- Complete mechanical function
 - Flexible and simple mounting
 - Few components
 - Light-weight design
 - Safety switch monitoring
 - Maintenance-free
 - Minor mounting time

Item No.	Description
0842200700	3-Part telescopic guard rails, height adjustable, max. 0.7m high, EN 81-20*
0842201100	3-Part telescopic guard rails, height adjustable, max. 1.1 m high, EN 81-20*
0822200700	3-Part telescopic guard rails, height adjustable, max. 0.7 m high
0822201100	3-Part telescopic guard rails, height adjustable, max. 1.1 m high



*) incl. toe board (therefore DIN EN 81-20 conform)



Linkage handle to extract the guard rail. Closed run of guard rail to avoid accidents



Pressing disc to retract guard rail. Vertical or horizontal fixing of the guard rail post



Safety switch to monitor the car guard rail position



Closed road course to avoid accidents



Safety switch to monitor the car guard rail position

BOLTED-TYPE ANCHORAGE POINTS FOR PERSONAL SECURITY ACCORDING TO DIN EN 795

SCREW FASTENING ON STEEL-SCAFFOLDINGS OR ON THE ELEVATOR CABIN

MAX. WORK LOAD 7.5 KN (1 PERSON)

Anchorage point made of stainless steel for M12 bolts

MAX. WORK LOAD 15 KN (2 PERSONS)

Anchorage point made of stainless steel for M16 bolts

Item No.	Description
01306075001	Eyelet V4A approved for 750 kg
01306075002	Eyelet V4A approved for 750 kg incl. bolt M12
01306075003	Eyelet V4A approved for 750 kg
01306150001	Eyelet V4A approved for 1,500 kg incl. bolt M16
01306150003	Eyelet V4A approved for 1,500 kg
01312013001	C-profile fixing in concrete walls compliant with DIN EN795, Travsafe

ATTACHMENT POINTS WITH FREELY ROTATABLE RING EYELET

We offer you high-quality anchor points with a freely rotating stop eye. This allows you to move around the attachment point comfortably at work. The risk of a twisted fastener or an angled snap hook decreases significantly. In very restricted working environments, such as on the elevator car roof, this fall protection system shows its full strength.

The standard color is supplied as yellow (RAL 1003). This ensures good visibility. The different attachment points can be used dependant of the application

- screwed into a thread provided by the customer or
- on steel ground with a thickness of at least 6 mm or
- with our composite mortar WIT-VM-250 (ZU-1000) affixed directly into the concrete.

The anchor points can be stressed in all directions. Tested according to DIN EN 795 and DIN CEN / TS 16415, up to three employees are protected against dangerous falls.

Item No.	Description	
01306000001	Attachment points with freely rotatable ring eyelet for screwing in	1
01306000002	Attachment points with freely rotatable ring eyelet for counter-tightening	2
01306000003	Attachment points with freely rotatable ring eyelet for gluing	3

ACCESSORIES

007999051	Application gun WIT
01306000004	Connecting grout for concrete and masonry
01311000002	Full body harness AX 20, EN 361
013999003	Fall arrester EN 360 with steel wire HPWS 4.5 m
01311000003	Safety gear set for the lift industry



Full body harness AX 20, EN 361



Fall arrester



Safety gear set for the lift industry



Anchorage point for 750kg, bolt



Anchorage point for 1,500kg



Aluminium anchorage point for 750kg and fixing kit



Attachment points with freely rotatable ring eyelet



Application gun WIT



Connecting grout for concrete and masonry



Anchorage point VLBG Plus

ANCHORAGE POINTS FOR LOADS

Anchorage point for bolt fixing. Rotates through 360°. It offers a four times safety against breakage in all stress directions. Coated in pink.

ANCHORAGE POINT VLBG PLUS

Item No.	Description	Carrying capacity (t)
01302001601	RUD anchorage point with bolt	0.63
01302002101	RUD anchorage point with bolt	1.35
01302002102	RUD anchorage point with bolt	1.35
01302002401	RUD anchorage point with bolt	2.00
01302003201	RUD anchorage point with bolt	3.50



Weld swivel 8,000kg, grade 8

ANCHORAGE POINTS FOR WELDING

4-fold security against breakage in all directions swivel range of the link max. 180°. of load, rotatable 360°, ball-bearing. Permissible

Item No.	Description	Carrying capacity (t)
01301315001	Weld swivel	3.15, grade 8
01301800001	Weld swivel	8.00, grade 8

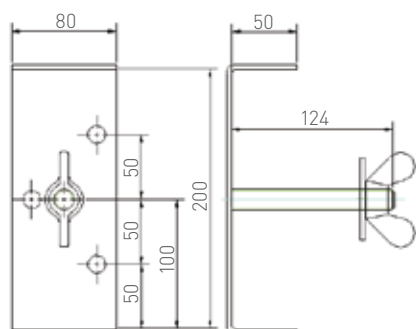


HOLDER FOR HAND WHEELS

DETAILS: U-shaped flat steel with a welded threaded bar M16, galvanised, incl. wing nut M16, washer, safety contact and fixing material.

If the car has to be moved mechanically in case of maintenance or failure, the separately stored hand wheel can be removed from the holder which is equipped with a safety contact.

The holder fits different hand wheel sizes.



Item No.	Description
23199004	Holder for hand wheels

ELEVATOR LIGHT CURTAIN

Elevator Light Curtain B	71
Elevator Light Curtain SIX230	71



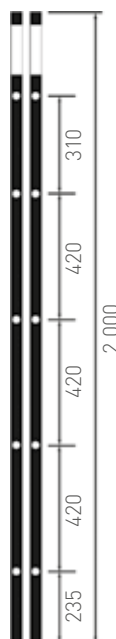
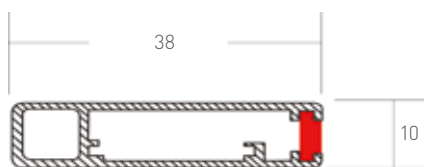
ELEVATOR LIGHT CURTAIN B

BENEFITS: • slim 9 mm profile • very cost-effective

DETAILS: • Light curtain pair consisting of: Sender and receiver • 94 beams • 17 diodes • Measures: 2,000 x 38 x 9 mm • Active protection height: 20–1,841 mm • Auto masking range: 1,500–1,841mm • Detecting range: 0–3,000 mm (max. 5,000 mm) •

Ambient light 100,000 LUX • Supply voltage 230V AC or 24V DC • Incl. power supply unit, cable kit, fixing material and instructions

OPTIONAL:
• Universal fixing kit for various door types



Item No.	Description
09702000008	Elevator light curtain B 230 AC
09702000009	Elevator light curtain B 24 V DC

ACCESSORIES

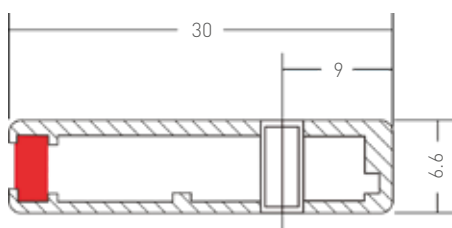
09701000009	Universal fixing kit for various door types
09702000100	Elevator light curtain power supply unit 230V
09702000101	Elevator light curtain power supply unit 24V DC

ELEVATOR LIGHT CURTAIN SIX230

BENEFITS: • Ultra slim 6.6 mm profile • 32 diodes producing 154 beams • Automatic learning (auto masking) - the light curtain recognises obstacles automatically and ignores them • All in just three seconds • Automatic stand-by mode. The light curtain puts itself in stand-by mode after 15 seconds to save energy and extend the service life of the sensors

DETAILS: • Light curtain pair consisting of: Sender and receiver • 174 beams • 36 diodes • Measures: 2,000 x 30 x 6,6 mm • Active protection height: 20–1,665 mm • Detecting range: 0–4,000 mm • Ambient light 100,000 LUX • Supply voltage 230V AC • Incl. power supply unit, cable kit, fixing material and instructions

OPTIONAL: Universal fixing kit for various door types



Item No.	Description
09703000008	Elevator light curtain SIX 230V

ACCESSORIES

09701000009	Universal fixing kit for various door types
-------------	---



SHAFT SMOKE EXHAUST SYSTEMS AND VENTILATION

Base-Lift-Kit	73
Lift-Tronic FS01	73
SHEV Operating Panel / Emergency Push Button	74
Optical Smoke Detector	74
Ventilation and Smoke Extraction Hood / EnEV Flap	74
Ventilation and Smoke Extraction Hood / JK Flap	74
Ventilation and smoke extraction hood / JK	75
Multileaf Damper JK-165	75
Ventilation Grille Aluminium	75

BASE-LIFT-KIT

The BASE-Lift-Kit is based on the proven "fail-safe" principle. This system uses only building-law approved components that communicate with each other via a control unit. In the event of an alarm or malfunction, the power supply to the actuator on the closing element is interrupted. A prestressed spring within the drive then opens the closure element. After the alarm has been reset or the malfunction has been rectified, the power supply for the drive is cleared and the closing element closes automatically.

During the development of the BASE-Lift-Kit the topic security has been redefined. Conventional hoistway smoke extraction and ventilation systems "only" command the shutter (louver / louvre) to open without monitoring whether the door is actually opening. With the BASE-Lift-Kit, the control unit receives feedback directly from the drive as soon as the closing element is in fact fully opened. If this message does not arrive at the control unit, a fault message is generated, which can be forwarded to a suitable location (elevator control, building management system). In addition, the fault is displayed on the main service station. This technical innovation makes the BASE-Lift-Kit currently the safest system available on the market for controlled smoke extraction and ventilation of lift shafts.

The choice is yours: you can buy the BASE-Lift-Kit as a component system ready for installation and install it easily and quickly, or you can use the entire service, i.e. planning, installation and commissioning carried out by BASE.

The BASE-Lift-Kit should not be used in conjunction with a sensor suitable for the detection of persons. We point to the European patent EP 1 890 956 B1, which could be violated by the coupling of the BASE-Lift kit with such a sensor, which is not part of the LIFT kit.

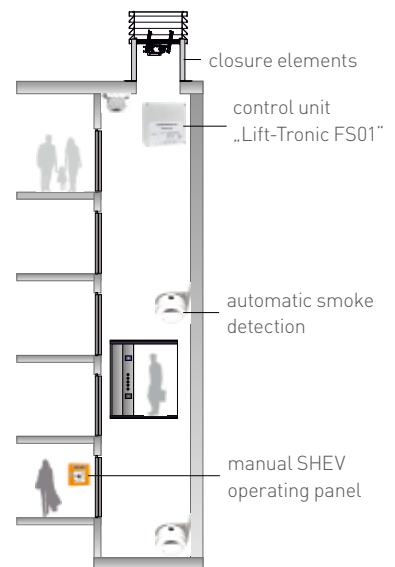
FUNCTIONS:

- Smoke detection by means of smoke detector, point detector or linear detector
- Wiring optionally with RJ45 cables (plug connection) or standard electrical cable
- Smallest shell opening with flush mounting of the closure element
- Automatic opening of the closure element even in case of a cable break (Fail Safe!)
- Constant monitoring of the end position (open / closed) of the closure element
- Integrated temperature monitoring
- Integrated ventilation timer
- Integrated service timer (can be simply switched on and off via DIP switch)
- Integration into the on-site fire alarm system possible
- Various locking elements as NSHEV according to DIN EN 12101-2.

Item No.	Description	Voltage
9610011105	BASE-Lift-Kit RM 10m without closure element	24V
9610011106	BASE-Lift-Kit RM 20m without closure element	24V
9610011107	BASE-Lift-Kit RM 30m without closure element	24V
9610011108	BASE-Lift-Kit RM 40m without closure element	24V



Base-Lift-Kit



LIFT-TRONIC FS01

The control unit Lift-Tronic FS01 sets new standards for safety and flexibility. It impresses with its perfect adaptability to the requirements of the object. The Lift-Tronic FS01 can be used for groups as well as single shafts with and without machine room. There are three different possibilities for automatic smoke detection: by means of optical smoke detectors, infrared detectors or aspirating smoke detectors. Depending on the object requirement, the installation of the Lift-Tronic FS01 can be carried out with conventional electrical cabling or quickly and easily with prefabricated RJ45 plug connections. A combination of both installation variants is possible. Due to the proven "fail-safe" principle, no backup batteries are required. In the event of a power failure or line interruption, the closing element will open fully via a prestressed spring in the drive.

The control unit Lift-Tronic FS01 should not be used in conjunction with a sensor suitable for the detection of persons. We point to the European patent EP 1 890 956 B1, which could be violated by the coupling of the control unit Lift-Tronic FS01 with such a sensor, which is not part of the Lift-Tronic FS01.

DETAILS:

- Integrated temperature sensor
- Display: fault, operation, alarm
- Evaluation of the physical opening condition of the closing element
- All connections pluggable or screw terminals
- Ventilation interval adjustable from 1 to 5 hours for 20 minutes
- Potential-free input for the fault message from the elevator control
- Potential-free output Fault and alarm
- Integrated service timer (can be easily switched on and off via dip-switch)
- Integration into the on-site fire alarm system possible
- Various locking elements as NSHEV according to DIN EN 12101-2



Lift-Tronic FS01

Item No.	Description	Voltage
9610010100	Lift Tronic FS01	24V

ACCESSORIES

Item No.	Description
9610010102	Plug-in power supply 24V / 1A

SHEV Operating Panel /
Emergency Push Button

Plug-in power supply



Optical Smoke Detector

Ventilation and smoke extraction hood /
EnEV Flap

JK-Flap

SHEV OPERATING PANEL / EMERGENCY PUSH BUTTON

In addition to the automatic monitoring of the lift shaft, the elevator shaft smoke extraction system can be triggered manually by a SHEV operating panel. In most cases, the assembly takes place at the main evacuation stop next to the elevator access. According to the current requirement of the Model Building Regulations (MBO-2013), an elevator shaft smoke extraction system must be able to be operated from at least one suitable location.

Item No.	Description
9620010301	SHEV Operating Panel – orange
9610010102	Plug-in power supply 24V / 1A

OPTICAL SMOKE DETECTOR

In addition to the automatic monitoring of a lift shaft, the lift shaft smoke extraction system can be triggered manually by a SHEV operating panel. In most cases the assembly takes place outside the main evacuation stop next to the elevator access. According to the current requirement of the Model Building Regulations (MBO - 2013), a lift shaft smoke extraction system must be able to be operated from at least one suitable location. Point-type smoke detectors have become established as a cost-effective variant of automatic smoke detection in the elevator shaft. Smoke detection according to the scattered light principle is used in the range of standard lift systems up to eight stops. The point detectors are approved according to DIN EN 54-7 for standard-compliant smoke detection.

Item No.	Description
9620010201	Smoke detector PM3000 shaft ceiling
9620010202	Smoke detector PM3000 intermediary detector
9620010204	Smoke detector PM3000 shaft pit
9620120165	Smoke sensor head
9620051727	Stick for testing / triggering RAS / smoke detector

VENTILATION AND SMOKE EXTRACTION HOOD / ENEV FLAP

The ventilation and smoke extraction hood "EnEV-Flap" consists of an insulated base and a weather protection hood. The closure element is an insulated, thermally separated louvre window. This complete unit (weather protection including closure element) is particularly suitable as a building closure for objects with high energy requirements. The EnEV flap is designed for guaranteed smoke extraction and ventilation independent of wind direction and weather according to MBO-2013 or LBO.

Item No.	Description	Largest shell opening [mm]
9630110600	EnEV Flap 500 Silent	520x520
9630110601	EnEV Flap 600 Silent	600x600
9630110605	EnEV Flap 700 Silent	700x700
9630110602	EnEV Flap 800 Silent	800x800
9630110603	EnEV Flap 900 Silent	900x900

VENTILATION AND SMOKE EXTRACTION HOOD / JK FLAP

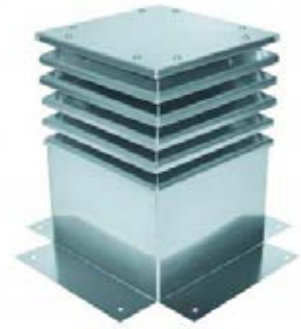
The "JK-Flap" ventilation and smoke extraction hood consists of an insulated base and a weather protection hood. The closure element is integrated as an airtight multileaf damper. This complete unit (weather protection including closure element) fulfills the minimum requirements, which result from the EnEV or the building regulation. The JK-Flap is designed for guaranteed smoke extraction and ventilation independent of wind direction and weather according to MBO-2013 or LBO.

Item No.	Description	Largest shell opening [mm]
9630110700	JK-Flap 600 Silent	600x600
9630110702	JK-Flap 700 Silent	700x700
9630110701	JK-Flap 800 Silent	800x800
9630110703	JK-Flap 900 Silent	900x900
9630110704	JK-Flap 1000 Silent	1.000x1.000

VENTILATION AND SMOKE EXTRACTION HOOD / JK

The ventilation and smoke extraction hood "JK" consists of an insulated base and a weather protection hood. The closure element is an insulated, thermally separated louvre window. This complete unit (weather protection including closure element) is particularly suitable as a building closure for objects with high energy requirements. The EnEV flap is designed for guaranteed smoke extraction and ventilation independent of wind direction and weather according to MBO-2013 or LBO (incl. fixing lug).

Item No.	Description	Largest shell opening [mm]
9630010900	Hood JK 500	500x500
9630010901	Hood JK 600	600x600
9630010902	Hood JK 700	700x700
9630010903	Hood JK 800	800x800
9630010904	Hood JK 900	900x900
9630010905	Hood JK 1000	1,000x1,000



Hood JK

MULTILEAF DAMPER JK-165

Due to their optimal price-performance ratio, airtight multileaf dampers are the most commonly used closure elements for the controlled smoke extraction and ventilation of lift shafts. Multileaf dampers can be adapted to the opening size of the object. Multileaf dampers can be flush mounted or can be placed in front of the opening. We only offer shutters with NSHEV approval as a certified construction product.

Item No.	Description	Largest shell opening [mm]
9630110400	Multileaf damper JK-165 Silent 0,10m ²	520x360
9630110401	Multileaf damper JK-165 Silent 0,11m ²	560x450
9630110402	Multileaf damper JK-165 Silent 0,18m ²	600x600
9630110420	Multileaf damper JK-165 Silent 0,24m ²	760x620
9630110403	Multileaf damper JK-165 Silent 0,29m ²	700x700
9630110404	Multileaf damper JK-165 Silent 0,35m ²	800x800
9630110416	Multileaf damper JK-165 Silent 0,57m ²	1,000x1,000



Multileaf damper JK-165

VENTILATION GRILLE ALUMINIUM

TECHNICAL DATA: • Made of extruded aluminum profiles • Silver-bronze anodized • Powder coating according to RAL color shades possible • Insect screens made of stainless steel • 28.5 mm installation depth • 21.0 mm rebate • Widths and heights in various standard sizes

OPTIONAL: Water drain

FIXING: Clip springs can be supplied on request, tie bolts are always included

Item No.	Description	
09611000000	Ventilation grille Typ W11, acc. to customer requirements	1
09631000000	Ventilation grille Typ W31, acc. to customer requirements	2
09633000000	Pressure relief valve Typ W33, acc. to customer requirements	3
09681000000	Ventilation grille Typ W81, acc. to customer requirements	4



1



2



3



4

PROTECTIVE DRAPES AND INTERIOR

Protective Drapes for Lift Cars	77
Folding seats	78
Ram protection strips	78

PROTECTIVE DRAPES FOR LIFT CARS



The high-quality drapes amortise fast, are easy to install and can protect the interior effectively. KAPOK'88 drapes are flame retardant. They are equipped with a transparent PVC window in front of the control panel as well as a sign showing "attention glass" or "mirror behind" if applicable. The protective drapes are water-repellent and easy to clean.

KAPOK'88 drapes are shipped in a firm bag. A number of permanent and temporary mounting options allow maximum flexibility. The drapes are available in beige, blue, grey, brown or black PU.

PROTECTIVE DRAPES FOR LIFT CARS (INCL. PACKING BAG)

Item No.	Description
1002140000	Padded drapes, PU, size S, ceiling height max. 2,200mm, 3-part
1002224000	Padded drapes, PU, size M, ceiling height max. 2,200mm, 3-part
1002231000	Padded drapes, PU, size L, ceiling height max. 2,200mm, 3-part
1002999006	Padded drapes, PU, customised

ACCESSORIES

Item No.	Description
1002999014	Telescopic rail size L for lift car interior protection, for rail length 1,550 mm to 2,500 mm, end cap with 50 mm bearing surface
1002999015	Telescopic rail size M for lift car interior protection, for rail length 1,250 mm to 2,000 mm, end cap with 50 mm bearing surface
1002999016	Telescopic rail size S for lift car interior protection, for rail length 850 mm to 1,200 mm, end cap with 50 mm bearing surface
1002999007	Telescopic rail for padded drapes
1002999013	Telescopic rails for heavy loads
1002999001	Fixing kit: wire hooks, height 70-120 mm
1002999002	Fixing kit: mirror hooks
1002999003	Fixing kit: KAPOK no. 1 stud, diameter 14 mm, h 15 mm
1002999005	Fixing kit: Tenax, diameter 11 mm, h 11 mm
1002999009	Fixing kit: magnetic hooks
1002999050	Car floor protection thin, customised
1002999053	Car floor protection thick, customised
1002999051	Car ceiling protection, customised



Car floor protection thin



Car floor protection thick



Car ceiling protection



Telescopic rail for padded drapes



Telescopic rail for padded drapes



Wire hook



Mirror hook

Stud made of stainless steel
Kapok No. 1

Tenax



Magnet hooks



1



2

FOLDING SEATS

The folding seats are made of solid wood (beech or oak, oiled or lacquered) in combination with aluminum fittings in a stainless steel look and comply with EN81-70. For a stable installation on the cabin wall, the optional reinforcement plate is recommended!

FOLDING SEATS

Item No.	Description	
1000999070	Folding seat Locus Plattan lacquered beech 400 mm, EN81-70	1
1000999075	Folding seat Locus Plattan oiled oak 300 mm, EN81-70	2

ACCESSORIES

Item No.	Description
1000999082	Reinforcement plate outside for folding seat
1000999083	Installation template for folding seat Locus 400 mm



1



2



3



4



5



6



7



8

RAM PROTECTION STRIPS



Ram protection strips are suitable for avoiding damage to the cabin walls and offer suitable protection against hospital beds, supply trolleys, cleaning and laundry trolleys. The ram protection strips in the set are available as half-round profiles or square profiles as well as aluminum strips with a stainless steel look or in oak wood.

RAM PROTECTION STRIPS

Item No.	Description	
1000999101	Ram protection strip set, stainless steel look, semicircular, cabin size 1,100x2,100 mm	1
1000999102	Ram protection strip set, stainless steel look, 60x20 mm, cabin size 1,100x2,100 mm	2
1000999103	Ram protection strip set, oak, semicircular, cabin size 1,100x2,100 mm	3
1000999104	Ram protection strip set, oak, 60x20 mm, cabin size 1,100x2,100 mm	4
1000999105	Ram protection strip set, stainless steel look, semicircular, cabin size 1,100x1,400 mm	5
1000999106	Ram protection strip set, stainless steel look, 60x20 mm, cabin size 1,100x1,400 mm	6
1000999107	Ram protection strip set, oak, semicircular, cabin size 1,100x1,400 mm	7
1000999108	Ram protection strip set, oak, 60x20 mm, cabin size 1,100x1,400 mm	8



LED LIGHTING SYSTEMS

LED Kits INPLES	81	LED Emergency Power Control with Cabin Light Shut-Off	87
LED-Spots INPLES Moonlight	82	LED Strip LPS	88
LED Housing Inples	84	LED Slim Panels	89
LED Emergency Lamp	85	LED Cabin Ceiling According to Customer Specification	90
LED-Spots Vandal-Resistant	86	LED Luminous Panel	90
LED Flexible SMD*-Lightbars	86	Stainless Steel Frame for LED Acrylic Glass	91

LED KITS INPLES

BENEFITS: Replacing your existing low and mains voltage lamps (e.g. G/GU10 & M) with efficient high performance LEDs will: • Reduce the amount of electricity you use by up to 90% • Increase the life of your lamps by not just months, but years • Professional power supplies for 1 million operations available • With or without emergency power supply • Solution available for cabin light deactivation • Lights available in various colours • Easy installation thanks to pre-fitted cable

TECHNICAL FEATURES: • Beam angle: 40° • Service life: approx. 50.000h • Pre-fitted with approx. 1,5m cable • Lighting figures for various cabin sizes available upon request

ITEMS

Item No.	Description	Colour
90924000201	INPLES110 3W main LED lamp	Cool white
90924000101	INPLES112 3W main LED lamp	Warm white
90924000301	INPLES114 3W main LED lamp	Daylight white
Item No.	Description	Colour
90924000202	INPLES111 3W main and emergency LED lamp	Cool white
90924000102	INPLES113 3W main and emergency LED lamp	Warm white
90924000302	INPLES115 3W main and emergency LED lamp	Daylight white

POWER SUPPLY FOR UP TO 6 LAMPS

max. 20W, input 230V, 50/60Hz, Output: 10.5V, 2.5A

Item No.	Description
90925000003	INPLES101 power supply

POWER SUPPLY FOR UP TO 5 LAMPS

emergency power supply with max. 20W, input 230V, 50/60Hz, output: 10.5V, 2.5A, emergency power supply battery can be changed

Item No.	Description	
90925000004	INPLES103 power supply	3h battery life
90925000005	INPLES106 power supply	6h battery life

KITS

INPLES – KIT4 – WITH POWER SUPPLY

1

Item No.	Description	Colour
90923040201/101/301	4x main lamps + 1 power supply	Cool white, warm white, daylight white
90923030201/ 101/ 301	3x main lamps & 1x emergency lamp + 1 power supply, 3h battery life	Cool white, warm white, daylight white

INPLES – KIT6 – WITH POWER SUPPLY

1

Item No.	Description	Colour
90923060201/101/301	6x main lamps + 1 power supply	Cool white, warm white, daylight white
90923050201/101/301	5x main lamps & 1x emergency lamp + 1 power supply, 3h battery life	Cool white, warm white, daylight white

DOWNLIGHTS:

MODEL AU-DLL 101, 65 MM CUT OUT

2

Item No.	Colour
90921000101	gun metal
90921000201	chrome-plated
90921000301	white

MODEL AB 50, BA 75 MM CUT OUT, VANDAL RESISTANT

3

Item No.	Colour
90926000009	aluminium look





LED-SPOTS INPLES MOONLIGHT

With its unique visual form, the MOONLIGHT LED spotlight is an ideal addition to our INPLES range of LEDs. A ball-shaped diffuser distributes the light emitted by the LED over a beam angle of 180°.

BENEFITS: • Reduce the amount of electricity you use by up to 90% • Increase the life of your lamps by not just months, but years • Professional power supplies for 1 million operations available with or without emergency power supply • Solution available for cabin light deactivation • Otherwise visible LEDs are concealed with a ball-shaped diffuser • We guarantee that we will replace the colour lights that you want for years • Easy installation thanks to pre-fitted cable

TECHNICAL FEATURES: • Output 3W • Beam angle 180° • Service life approx. 50.000h • Colour daylight white • External diameter 50 mm • Pre-fitted with approx. 1,5m cable • Lighting figures for various cabin sizes available upon request

LED-SPOTS INPLES MOONLIGHT

Item No.	Description	Colour
90924000303	3W main LED lamp Moonlight 134 tw	Daylight white
90924000304	3W main and emergency LED lamp Moonlight 135 tw	Daylight white

POWER SUPPLY FOR UP TO 6 LAMPS

max. 20W, input 230V, 50/60 Hz, Output: 10,5V, 1,8A

Item No.	Description
90925000003	INPLES101 power supply, no battery backup emergency power supply with max. 20W, input 230V, 50/60 Hz, output: 10,5V, 1,8A, emergency power supply battery can be changed
Item No.	Description
90925000004	Power supply INPLES103, 3h battery life

DOWNLIGHTS:

MODEL AU-DLL 101, 65 MM CUT OUT

Item No.	Colour
90921000101	gun metal
90921000201	chrome-plated
90921000301	white

MODEL AU-DLM 356 PC, 70 MM CUT OUT

Item No.	Colour
90921000203	chrome-plated
90921000303	white

STINGL LED-SPOTS

- LONG LIFE
- INCL. FIXING MATERIAL
- SIMPLE INSTALLATION

FOR FURTHER INFORMATION CALL US
OR WRITE AN E-MAIL

TEL.: +49 (0) 7134-1379713
E-MAIL: EXPORT@STINGLONLINE.DE

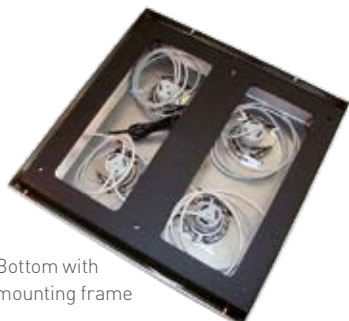




1
4 LED lamps
preassembled in
stainless steel housing



LED lamp
behind glass



Bottom with
mounting frame



Calliper

LED HOUSING INPLES

BENEFITS: • Replacing your existing low and mains voltage lamps (e.g. G/GU10 & M) with efficient high-performance LEDs pre-installed in stainless steel casings will reduce the amount of electricity you use by up to 90% and increase the life of your lamps by not just months, but years • Power supplies available with or without emergency power supply • Solution available for cabin light deactivation • Quick and easy installation with cavity anchor fixings • Existing lamp openings are covered up • Lights available in various colours • Tailored dimensions available upon request

TECHNICAL FEATURES: • Beam angle: 40° • Service life: approx. 50,000h • Pre-fitted with approx. 1.5m cable

LUX FIGURES FOR VARIOUS CABIN SIZES AVAILABLE UPON REQUEST

INPLES – STAINLESS STEEL HOUSING

KIT4 – WITH POWER SUPPLY – 400X400X60 MM

max. 20W, input 230V, 50/60Hz, output: 10.5V, 1.8A

VERSION 1: 4X MAIN LAMPS

1

Item No.	Description	Colour
90922040201	INPLES 110/100	Cool white
90922040101	INPLES 112/100	Warm white
90922040301	INPLES 114/100	Daylight white

VERSION 2: WITH EMERGENCY POWER SUPPLY, 3 H BATTERY LIFE

Item No.	Description	Colour
90922030201	INPLES 111/103	Cool white
90922030101	INPLES 113/103	Warm white

ACCESSORIES

90926000004	Calliper to spread the cavity fixing rawplug
-------------	--

LED EMERGENCY LAMP

The system is made up of two separate elements: an emergency light power supply and a high-quality LED emergency light. This makes it possible to retrofit an emergency light in an existing elevator cabin. The LED emergency light is made of polycarbonate and has an almost unlimited service life. It contains a 1,5m two-pole cable for connection to the mains or a 3,6V DC battery. The LED emergency light can be installed in a panel or existing ceiling or wall light and left visible or concealed.

Item No.	Model	Luminous flux (lm)	Dimensions
90926000005	AB26	80-60lm	55x35x15 mm

In the event of a power cut, the emergency light's main connection monitors whether the elevator cabin is in stand-by mode and then decides whether or not to turn on the emergency light. During normal operation, the high-quality Ni-Cd battery charges off the mains and lasts for 3 or 6 hours, depending on the version, if there is a power cut. The mains connection is normally installed in the roof of the elevator cabin. Dimensions 50x75x125 mm, Weight: 0,30 kg.

Item No.	Type	Life in emergency mode
90925000001 + 90926000005	BLUME 836 / with AB26	3 h
90925000001	BLUME 836	3 h
90926000006	AB3 connection cable for BLUME 836	





LED-SPOTS VANDAL-RESISTANT

BENEFITS: Vandal-proof LED spotlights to prevent intentional damage • Easy installation • Service life: approx. 50,000 hours • 5W consumption per light • Moderate heat production • Surface colour: stainless steel like • Includes fixings

TECHNICAL FEATURES: Output: 5W • Beam angle: 36° • External diameter: 100 mm • Installation depth: 52 mm • Cut out: 55–70 mm

LED-SPOTS VANDAL-RESISTANT STAINLESS STEEL LOOK

Item No.	Description	Luminous colour	Voltage
90954300230	Vandal-resistant LED	Warm white	220V AC
90954301030	Vandal-resistant LED	Warm white	10-30V DC
90954500230	Vandal-resistant LED	Natural white	220V AC
90954501030	Vandal-resistant LED	Natural white	10-30V DC
9090399904	Bezel 100 mm, installation from back		1
9090399905	Bezel 100 mm, installation from front		2

POWER SUPPLY

Item No.	Description
9090399907	Power supply unit Mean Well 35W, 12V, 3.0A
9090399909	Power supply unit Mean Well 75W, 12V, 6.0A
90947102425	Power supply Mean Well 25W, 24V, 1.05A, IP 67
90947102440	Power supply Mean Well 40W, 24V, 1.67A, IP 67
90947102460	Power supply Mean Well 60W, 24V, 2.50A, IP 67

ACCESSORIES

Item No.	Description
9090399906	Security glass according to EN 81-70

LED FLEXIBLE SMD*-LIGHTBARS

BENEFITS: • The flexband's generous copper conductors absorb and conduct heat away from the components brilliantly • With a width of, for example, just 8 mm, this band is perfectly suited for use in tight spaces, such as escalators, cabin walls and shadow gaps • The high quality 3M adhesive gives the strip a firm hold to the surface • Plus and minus pads are repeated on each section, allowing you to make changes later and reuse unused sections! • Waterproof upon request • Low power consumption • Long service life

USE: The LED strip can be used for a wide range of applications in • Escalator lighting • Indirect or direct design lighting for elevator cabins • Mood lighting • Safety/warning lights • And many other areas

*SMD = Surface Mounted Device

Item No.
90953999011 Flexible light bar, 500 cm reel



LED EMERGENCY POWER CONTROL WITH CABIN LIGHT SHUT-OFF

INTELLIGENT STINGL-EMERGENCY POWER CONTROL WITH CABIN LIGHT SHUT-OFF FOR VARIOUS LED LIGHTING CONCEPTS

The intelligent Stingl emergency power control in shape of a compact industrial housing, may optionally be added to cabin lights such as LED acrylic glass panels or LED slim panels and installed quickly and easily on the cabin roof. Especially for existing systems it is thereby possible to save energy for cabin car lighting with emergency power control devoid of intervention in the elevator control.

Alternatively, via the elevator control or via an integrated, event-controlled lighting control (e.g. movement in the car), the on- and off-switching can be regulated directly in the lighting circuit. The intelligent emergency power control detects whether the light shutdown was intended or caused by a power failure. In the event of a power failure, the built-in 12V or 24V battery will provide the light source in the car with full output for up to 3 hours. The integrated power adapter charges the battery even when the cabin light is switched off. A battery capacity signal may optionally be passed on to the elevator controller.

FEATURES:

Intelligent emergency power control

- May be used for different LED lighting variations of 12V or 24V, e.g. surface light or light panels
- The existing cabin light can provide an emergency light with full brightness for up to 3 hours via the built-in rechargeable battery
- The intelligent technology detects whether the cabin light shutdown was intended or if a power failure exists
- The cabin light can be triggered by the elevator control or by an optional, event-oriented light shutdown at standstill
- The power supply integrated in the Stingl emergency power control with a strongly reduced stand-by consumption monitors an insufficient rechargeable battery capacity and thus reduces the maintenance effort. The signal to the battery capacity can optionally be passed on to the elevator control.
- The Stingl emergency power control charges the used lead batteries of 12–24 VDC energy-consciously, even when the cabin light is switched off, so that the batteries can initiate the emergency lighting at any time

EVENT-CONTROLLED LIGHT SHUT-OFF FUNCTION FOR EXISTING ELEVATORS

OPTIONAL:

- Minimization of downtime requirements according VDI 4707
- Independent detection of car and door movements
- No intervention in the elevator electronics necessary
- Adjustable period of time after which the cabin car's light is switched off
- 3 inputs for optional sensors or control information
- 2 additional switching outputs for additional appliances

DIMMER OPTIONAL:

The cabin light can be controlled via an optional built-in LED dimmer

For cabin car lighting with Inples LED spots, we provide another intelligent emergency power solution, which can also be connected to the elevator control or combined with an optional event-oriented light shut-off.

EMERGENCY POWER CONTROL

Item No.	Description	Volt	Watt	LED slim panels		LED acrylic glass		LED Spot INPLES
				300x300/ 300x600	600x600/ 300x1200	small	large	
91912200003	for LED INPLES shut-off incl. monitoring unit	12	20					•
91912400001	for LED cabin light shut-off	12	40					•
91912400002	for LED cabin light shut-off incl. dimmer	12	40					•
91912400003	for LED cabin light shut-off incl. monitoring unit	12	40					•
91912400004	for LED cabin light shut-off incl. monitoring unit + dimmer	12	40					•
91912600001	for LED cabin light shut-off	12	60					•
91912600002	for LED cabin light shut-off incl. dimmer	12	60					•
91912600003	for LED cabin light shut-off incl. monitoring unit	12	60					•
91912600004	for LED cabin light shut-off incl. monitoring unit + dimmer	12	60					•
91924400001	for LED cabin light shut-off	24	40	•				
91924400002	for LED cabin light shut-off incl. dimmer	24	40	•				
91924400003	for LED cabin light shut-off incl. monitoring unit	24	40	•				
91924400004	for LED cabin light shut-off incl. monitoring unit + dimmer	24	40	•				
91924600001	for LED cabin light shut-off	24	40		•			
91924600002	for LED cabin light shut-off incl. dimmer	24	60		•			
91924600003	for LED cabin light shut-off incl. monitoring unit	24	60		•			
91924600004	for LED cabin light shut-off incl. monitoring unit + dimmer	24	60		•			

• applicable



LED STRIP LPS

THE LED STRIP LPS: is made up of an aluminium profile (WxH: 18x10mm), a high-quality LED flex strip and a diffuser cover (IP40) made of UV resistant plastic. The profile is rounded off and protected by aluminium end caps. The profile is also available as a completely enclosed unit (IP67). Profile lengths can be tailored to meet your requirements. The Mini-Flex strip can be fixed in place in a number of different ways, making it quick and easy to fit.

TECHNICAL SPECIFICATIONS:

- Aluminium profile, surface: anodized clear coating
- 18x10 mm (WxH)
- thermally optimised up to 16W/m
- Various installation options
- For holding LED flex strips
- max. length 3m
- Aluminium profile with cover: IP40
- Enclosed aluminium profile: IP67
- Can be tailored to customer requirements
- Diffuser cover made of UV resistant plastic
- 2.5x4.5 mm (WxH)
- Suitable for the LED aluminium profile
- Snaps in easily
- Transmission factor: 85%
- Aluminium end cap 1.5 mm
- 18x10mm (WxH)
- Suitable for the LED aluminium profile
- Surface: anodized clear coating
- Laser cut for optimum precision

WIDE RANGE OF ATTACHMENT OPTIONS:

MAGNETIC FIXINGS:

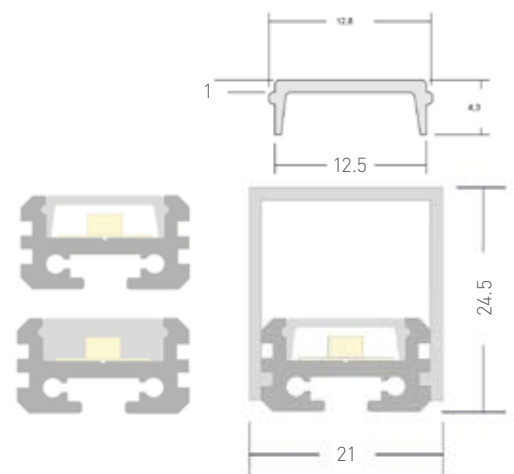
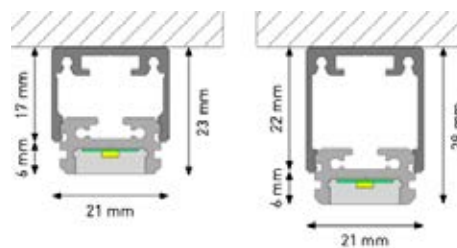
- Metal plate with 2 extremely strong magnets
- 30x7.2 mm (LxW)
- Suitable for the aluminium profile
- Easy to adjust with the 2 set screws
- The easy way to attach the profile to magnetic materials

SCREW FIXINGS:

- Square nut with M4x6 mm countersunk bolt
- Suitable for the LED aluminium profile
- For attaching the profile to metal brackets, pivot joints, etc.
- Optimised for material thicknesses of 3 mm or less

ADHESIVE FIXINGS:

- Extremely strong double-sided adhesive tape made by 3M
- 100x15x0.64 mm (LxWxH)
- Suitable for the LED aluminium profile for fixing the profile to smooth, clean surfaces
- Can be used indoors and outdoors
- Installation temperature of 20° (2 days hardening)



Item No.	Current	Voltage	Lumens	Colour	Can be split
90941316244	24 V DC	5 Watt/m	515 lm/m	2,600K	100 mm
90941316244	24 V DC	10 Watt/m	1,030 lm/m	3,000K	100 mm
90941316244	24 V DC	15 Watt/m	1,545 lm/m	4,000K	100 mm



LED SLIM PANELS

BENEFITS: The dimmable slim panels are equipped with super bright LEDs and supplied with an anodized aluminium fixture • 4 standard dimensions provided along with pre-cabled LED power supply • Excellent temperature resistance guarantees a long service life for the product • The front plate is made from highly transparent acrylic glass, guaranteeing an equally dispersed soft light • Turns on immediately, no flickering or humming • Ecological: the product does not contain any hazardous materials like lead or mercury • Easy to install directly in the ceiling or on an existing ceiling by using the supplied fixing material • Dimmable

TECHNICAL FEATURES:

LED-Panel (mm)	300x300	300x600	300x1,200	600x600
Input voltage (V)	AC 100–240	AC 100–240	AC 100–240	AC 100–240
Material	Aluminium	Aluminium	Aluminium	Aluminium
Dimensions (mm)	298x298	298x598	298x1,198	598x598
Overall height (mm)	10	10	10	10
Light temperature (K)	3,000–6,000	3,000–6,000	3,000–6,000	3,000–6,000
Light colour	adjustable	adjustable	adjustable	adjustable
Power rating (W)	10	20	36	36
Lighting current (lm)	700–850	1,400–1,700	2,500–3,000	2,800–3,300
Protection class	IP20	IP20	IP20	IP20
Dimmable	yes	yes	yes	yes
Remote control	yes	yes	yes	yes



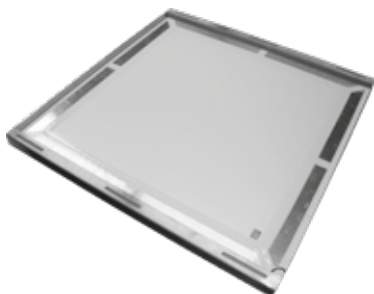
Item No.	Description	Dimensions	Colour	dimmable
90942070201	LED Panel	220x700 mm	Daylight white	•
90942730304	LED Panel	300x300 mm	with colour temperature change	•
90942730604	LED Panel	300x600 mm	with colour temperature change	•
90942731204	LED Panel	300x1,200 mm	with colour temperature change	•
90942760604	LED Panel	600x600 mm	with colour temperature change	•

POWER SUPPLIES

Item No.	Description
90947102425	Power supply unit Mean Well 25W, 24V, IP 67
90947102440	Power supply unit Mean Well 40W, 24V, IP 67
90947102405	Power supply unit Mean Well 60W, 24V, IP 67
90947000001	Power supply unit Mean Well 70W, 24V, IP67

ACCESSORIES

Item No.	Description
90953999035	Mounting kit for LED Panel
90970453020	Dimmer for LED panels



LED CABIN CEILING ACCORDING TO CUSTOMER SPECIFICATION

STAINLESS STEEL FRAME

- Equipped with flat homogenous LED illumination
- Luminous colors: cool white, warm white, daylight white, natural white
- Variable measurements
- LED power supply

OPTIONAL: • Dimmable • RGB illumination

ADVANTAGES: • Complete solution, easy to assemble, pancake design

LED LUMINOUS PANEL

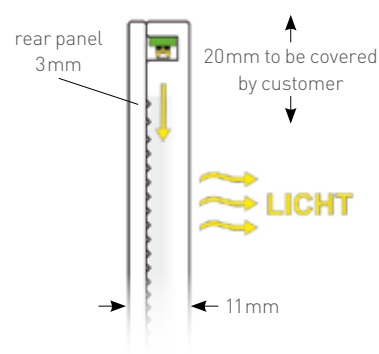
The LED Luminous Panel is a very slim, large-surface luminaire for built-in purposes. The basic version is suitable for indoor and outdoor installation. There is no pre-determined height or width, the Luminous Panel is made to customer specification. Minimum dimension is 80x80mm, maximum dimension is 1,500x3,000mm.

APPLICATIONS: • Illuminated element in walls or ceilings • Glare-free wall luminaire in kitchens or bathrooms • Illumination of decorative glass elements • Backlighting of artificial stone, acrylic or textiles • Illumination of flat light boxes • Light for traffic signs, pictograms, direction signs • Double-sided illumination of signs and boxes • Recessed luminaires in 600mm or 625mm grid ceilings

BENEFITS: • Customized dimensions: the luminous panel is made to customer specification only. Additional special features (e.g. round or oval shapes, rounded corners, cut-outs, etc.) are possible. • Extremely thin: the overall depth, i.e. the thickness of the luminous panel is only 11 mm in the "basic" and 13 mm in the "power" version. • Glare-free light: the luminous panel produces a large amount of light distributed over a relatively large surface area. The luminance and hence the glare is low. • Dimmable: the light can be dimmed continuously using an optional dimmer on the power supply. This allows the brightness to be adapted to the customer's needs even in dark environments. • Low energy consumption: thanks to modern LED technology, the luminous panel has a very low power consumption. 1 m² of luminous panel has a wattage of 25W, i.e. 2 m² have the same energy costs as a small candle-type incandescent light bulb. • Different colour temperatures: the luminous panel can be supplied with warm (2,700K, 3,000K), daylight (4,000K, 5,000K) or cold light (6,500K). • Coloured light: the luminous panel can also be fitted with coloured or RGB LEDs. The latter allow attractive colour changes or colourful light effects to be implemented. • Low maintenance: the light sources, i.e. the LEDs, do not have to be replaced during their entire service life of approx. 50,000 operating hours.

TECHNICAL FEATURES*:

Power rating:	ca. 25W/m ²
Overall depth:	11 mm
Colour temperature:	2,700K, 3,000K, 4,000K, 5,000K, 6,500K
Typical luminous flux:	1,400lm / 700lm
Indoor connection:	Parallel connection (12V)
Outdoor connection:	Series connection
Maximum size:	1,500x3,000mm



* techn. data at 1 m with two-sided illumination

Item No.	Description
90970452100	1-rowed luminous LED panel, customised
90970452200	2-rowed luminous LED panel, customised
90970452210	2-rowed luminous LED panel incl. milky diffuser, customised
90970452400	4-rowed luminous LED panel, customised
90970452410	4-rowed luminous LED panel incl. milky diffuser, customised

POWER SUPPLY

Item No.	Description
90970452500	Power supply for luminous LED panel

ACCESSORIES

Item No.	Description
90970452600	Dimmer for luminous LED panel
90970452800	Control unit for luminous LED panel (hand-held transmitter + receiver)



STAINLESS STEEL FRAME FOR LED ACRYLIC GLASS

Item No.	Description
90953999101	Stainless steel frame, dimensions according to customer specifications

COMPONENTS ALSO AVAILABLE SEPARATELY

SHAFT LIGHTING

LED Shaft Lighting With Plug-Screw Connection	93
LED Emergency Light EN81-20	93
LED Shaft Lighting Pre-Configured	94
LED Shaft Lighting Pre-Configured incl. Emergency Unit	94

LED SHAFT LIGHTING WITH PLUG-SCREW CONNECTION

The LED shaft lighting with plug-screw connection is a very flexible lighting solution. LED ribbons with 3 m and 10 m. Every LED ribbon contains male and female connectors for quick and easy connection. Plug and turn – it's connected.

4 mounting brackets are included for an easily installation on a nearby wall. With the 8 m power supply cable, you can optimize the location of your unit for an easy maintenance operation.

An optional emergency lighting unit (see below) is available.

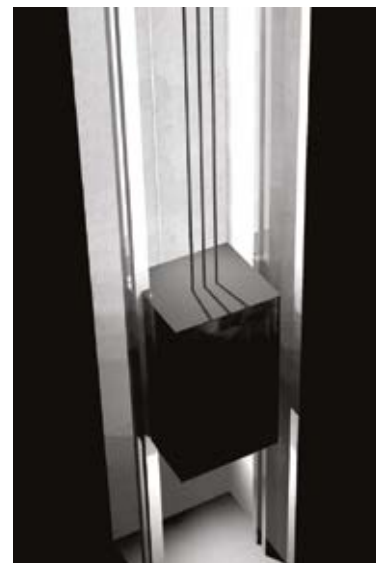
BENEFITS: • Sturdy • Quick and easy connection • Easy transportation • Flexible



LED shaft lighting incl. plug-screw connection



Power supply cable



TECHNICAL FEATURES: • Ribbon protection index: IP65 - IK08 • Connectors protection index: IP44 • Supply voltage: 230V - 50Hz • Maximum power: 8,4W/m • Color temperature: 6,500K • Lifetime: $\geq 10,000$ h • Ribbon's length: 3m & 10m • Luminosity: ≥ 80 lux/1 m • Up to 50m of ribbon can be connected together on the same supply line. For more length, use a new supply line. • With male and female connectors for easy and quick connection • TÜV certified according to EN 60598-1, EN 60598-2-21 and EMC standards

Item No.	Description
91732300008	8,0m power supply cable with end cap
91732306503	3,0m LED ribbon with male/female connector
91732306510	10,0m LED ribbon with male/female connector

EMERGENCY UNIT: The XBS50MLED emergency unit can be used with the LED shaft lighting range (3m and 10m). In case of main electrical supply failure, our emergency unit will keep a safety lighting of the LED ribbons during at least 3h and safely secure the evacuation of the workers from the lift shaft.

LED EMERGENCY UNIT FOR SHAFT LIGHTING EN 81-20 COMPLIANT

Item No.	Description
91830005000	Emergency unit for LED ribbon



Emergency unit



LED EMERGENCY LIGHT EN 81-20

LED EMERGENCY LIGHT EN 81-20

Item No.	Description
90980000001	LED Emergency Light EN 81-20



2

2



normal light



with dowel



emergency light

LED SHAFT LIGHTING PRE-CONFIGURED

The innovative LED shaft lighting consists of a robust PVC light strip and a 10 m permanently attached power supply cord. There is a flexible PCB fitted with 60 LEDs per metre which have an especially high luminance on the inside of the semicircular transparent PVC strip. The LEDs have a large beam width, which contributes to good illumination of the shaft and at the same time reduces dazzling of the eyes when looking at them directly.

When it is used in a lift shaft, the light strip extends in one piece from the shaft ceiling to the bottom of the shaft pit. In this regard the LED shaft lighting meets the requirements of protection class IP65. The advantage of the LED shaft lighting is that no connection pieces are needed. Therefore error sources and the formation of loop resistance can be avoided. Another advantage of LED shaft lighting is the equal illumination of the entire shaft without horizontal shadow formation. The LED shaft lighting is also sufficient for shafts with large size of floor space, such as lifts for more than 20 people.

The attachment to the shaft wall is very easy and extremely fast especially by using the dowels which are included. The light strip, using the included dowels, projects only about 15 mm and is therefore also suitable for very narrow lift shafts.

It is preferred to install the strip from the shaft top downwards to the shaft bottom. This has the advantage that the light band becomes its own plumb line so that it is easy to attach to the wall vertically. It is recommended to have a dowel distance of about 2 m. Electrical connection is achieved by insertion of an Euro plug in a standard 230V AC socket – no need of the special knowledge of an electrician. The 10 m power supply cord has to be installed according to the structural circumstances, shortened if necessary and connected for the final mounting.

With 115 g per metre the light strip is lighter than any other shaft lighting system. The complete shaft lighting for a 25 m shaft weighs only about 4 kg including the power supply cord. This permits very easy handling, from the manufacture and transport all the way to the mounting.

Lengths up to 50 m are possible with one strip. For a length customised configuration of the LED shaft lighting system only the shaft depth is needed.

The design is providing a new technical innovation. Additionally, it is very attractive in glazed shafts. The new DEKRA-tested shaft lighting system easy connect LED can also be combined with the well-known pit-bottom-box and machine room control box. All certificates needed, such as CE, RoHS and EN81 compliance declaration are already available.

TECHNICAL FEATURES:

Power supply voltage::	230V
Beam angle:	120°
Mean time to fail (mttf):	50,000 hours
Colour temperature:	6,000–6,500 K
Mean illumination level:	80Lux (1 m above car roof)
Max. length:	50 m
Supply cord:	
(with Euro plug):	10 m H05VV2 x 1 mm ²
Operating temperature:	-20° C – +50° C
Dimensions:	14x7 mm (wxh)
Maximal height:	app. 15 mm inkl. dowels
Weight:	115g/m
Burning characteristics:	self extinguishing
Safety class:	2
Degree of protection:	IP65

LED SHAFT LIGHTING PRE-CONFIGURED INCL. EMERGENCY UNIT

This solution provides emergency light all over the shaft not only above the car as required by European safety regulation. This is an additional safety for the maintenance man, as light is in the pit as well as on the car top.

In this case the proven LED strip consists of two separate electric circuits. The majority of LEDs is connected to the shaft light for common operation while each tenth LED is connected to the emergency path. Thus a part of the LEDs can be fed with low voltage power provided by rechargeable batteries. The shaft will not be totally dark in case of blackout of main power supply. This is a huge advantage as the emer-

gency light will be in service for one hour at least. This solution allows the maintenance man to take care on his emergency exit and in addition it prevents anxiety attacks.

It is self evident that the new easy connect LEDplus solution meets all associated requirements according to CE, RoHS and EN81-20. This safety regulation requires an emergency light of minimum 5 Lux above one meter over the car top in case of power breakdown of main supply. The power of the emergency light has to be buffered by rechargeable batteries for at least 1 hour. The easy connect LEDplus solution exceeds these requirements by far.

LED SHAFT LIGHTING PRE-CONFIGURED

Shaft Height up to	LED ribbon Item No.	Machine Room Top with 4-Function Pit Control Box Item No.	Machine Room Top with 4-Function Pit Control Box Item No.
8.0 m	91700833080	91710839080	91720839080
9.0 m	91700833090	91710839090	91720839090
10.0 m	91700833100	91710839100	91720839100
11.0 m	91700833110	91710839110	91720839110
12.0 m	91700833120	91710839120	91720839120
13.0 m	91700833130	91710839130	91720839130
14.0 m	91700833140	91710839140	91720839140
15.0 m	91700833150	91710839150	91720839150
16.0 m	91700833160	91710839160	91720839160
17.0 m	91700833170	91710839170	91720839170
18.0 m	91700833180	91710839180	91720839180
19.0 m	91700833190	91710839190	91720839190
20.0 m	91700833200	91710839200	91720839200
21.0 m	91700833210	91710839210	91720839210
22.0 m	91700833220	91710839220	91720839220
23.0 m	91700833230	91710839230	91720839230
24.0 m	91700833240	91710839240	91720839240
25.0 m	91700833250	91710839250	91720839250
26.0 m	91700833260	91710839260	91720839260
27.0 m	91700833270	91710839270	91720839270
28.0 m	91700833280	91710839280	91720839280
29.0 m	91700833290	91710839290	91720839290
30.0 m	91700833300	91710839300	91720839300
31.0 m	91700833310	91710839310	91720839310
32.0 m	91700833320	91710839320	91720839320
33.0 m	91700833330	91710839330	91720839330
34.0 m	91700833340	91710839340	91720839340
35.0 m	91700833350	91710839350	91720839350
36.0 m	91700833360	91710839360	91720839360
37.0 m	91700833370	91710839370	91720839370
38.0 m	91700833380	91710839380	91720839380
39.0 m	91700833390	91710839390	91720839390
40.0 m	91700833400	91710839400	91720839400
41.0 m	91700833410	91710839410	91720839410
42.0 m	91700833420	91710839420	91720839420
43.0 m	91700833430	91710839430	91720839430
44.0 m	91700833440	91710839440	91720839440
45.0 m	91700833450	91710839450	91720839450
46.0 m	91700833460	91710839460	91720839460
47.0 m	91700833470	91710839470	91720839470
48.0 m	91700833480	91710839480	91720839480
49.0 m	91700833490	91710839490	91720839490
50.0 m	91700833500	91710839500	91720839500
51.0 m	91700833510	91710839510	91720839510

LED SHAFT LIGHTING PRE-CONFIGURED INCL. EMERGENCY UNIT

Shaft Height up to	LED ribbon Item No.	Machine Room with 4-Function Pit Control Box Item No.	Machine Room Bottom with 4-Function Pit Control Box Item No.
8.0 m	91800933080	91810939080	91820939080
9.0 m	91800933090	91810939090	91820939090
10.0 m	91800933100	91810939100	91820939100
11.0 m	91800933110	91810939110	91820939110
12.0 m	91800933120	91810939120	91820939120
13.0 m	91800933130	91810939130	91820939130
14.0 m	91800933140	91810939140	91820939140
15.0 m	91800933150	91810939150	91820939150
16.0 m	91800933160	91810939160	91820939160
17.0 m	91800933170	91810939170	91820939170
18.0 m	91800933180	91810939180	91820939180
19.0 m	91800933190	91810939190	91820939190
20.0 m	91800933200	91810939200	91820939200
21.0 m	91800933210	91810939210	91820939210
22.0 m	91800933220	91810939220	91820939220
23.0 m	91800933230	91810939230	91820939230
24.0 m	91800933240	91810939240	91820939240
25.0 m	91800933250	91810939250	91820939250
26.0 m	91800933260	91810939260	91820939260
27.0 m	91800933270	91810939270	91820939270
28.0 m	91800933280	91810939280	91820939280
29.0 m	91800933290	91810939290	91820939290
30.0 m	91800933300	91810939300	91820939300
31.0 m	91800933310	91810939310	91820939310
32.0 m	91800933320	91810939320	91820939320
33.0 m	91800933330	91810939330	91820939330
34.0 m	91800933340	91810939340	91820939340
35.0 m	91800933350	91810939350	91820939350
36.0 m	91800933360	91810939360	91820939360
37.0 m	91800933370	91810939370	91820939370
38.0 m	91800933380	91810939380	91820939380
39.0 m	91800933390	91810939390	91820939390
40.0 m	91800933400	91810939400	91820939400
41.0 m	91800933410	91810939410	91820939410
42.0 m	91800933420	91810939420	91820939420
43.0 m	91800933430	91810939430	91820939430
44.0 m	91800933440	91810939440	91820939440
45.0 m	91800933450	91810939450	91820939450
46.0 m	91800933460	91810939460	91820939460
47.0 m	91800933470	91810939470	91820939470
48.0 m	91800933480	91810939480	91820939480
49.0 m	91800933490	91810939490	91820939490
50.0 m	91800933500	91810939500	91820939500
51.0 m	91800933510	91810939510	91820939510

ACCESSORIES

91800029370	Power supply unit with batteries to be installed in control cabinet
91800012240	LED-converter with 5m feeding cable



CONTROL UNITS AND SWITCHES

Emergency Call Button	99
Limit Switch	99
Pit Control Unit	100
Main Switch	100
Inspection Box	100
Machine Room Station	101
Emergency Stop Switch	101
Miscellaneous	101
Wedge Clamps for Lift Cables	102
Magnet Holder Kits for Guide Rails	102



EMERGENCY CALL BUTTON

EMERGENCY CALL BUTTON

+ DIN EN 81/20
+ DIN EN 81/50 +

Item No.	Description
90114000000	Emergency call button for installation, without NO / NC
90114000001	Emergency call button for installation, 1 NO, for forwarding emergency calls
90114001000	Emergency call button with casing TLP, 1 NO
90114001001	Emergency call button with casing, 1 NO, 5m connection cable
90114001002	Emergency call button with casing, 1 NO, 10m connection cable
90114001101	Emergency call button with 5m connection cable (1 NO/1 NC)
90114001200	Emergency call button with casing, 1 NO + 1 NC for forwarding emergency calls
90114002000	Emergency call button with casing, 1 NO
90114003000	Emergency call button + LED/buzzer with casing 12V
90114003001	Emergency call button + LED/buzzer with casing 24V
90114003101	Emergency call button with casing 1 NC and buzzer 24V
90114004000	Emergency call button + LED/buzzer with casing 12/24V



Emergency call button



Emergency call button + LED/
buzzer

LIMIT SWITCH

LIMIT SWITCH

+ DIN EN 81/20
+ DIN EN 81/50 +

Item No.	Description
90115001000	Limit switch with small roll, position switch
90115001001	Limit switch with small roll, adjustable, snap action
90115001010	Limit switch with small roll and reset, snap action
90115001011	Limit switch with small roll and reset, adjustable, snap action
90115002000	Limit switch with large roll, snap action
90115002001	Limit switch with large roll, adjustable, snap action
90115002010	Limit switch with large roll and reset, snap action
90115002011	Limit switch with large roll and reset, adjustable, snap action



Limit switch with
small roll



Limit switch with
large roll



Pit control unit



Pit control unit



Pit control unit



with casing, lockable



without casing



Inspection box



Inspection box

PIT CONTROL UNIT

+ DIN EN 81/20
+ DIN EN 81/50



PIT CONTROL UNIT

Item No.	Description
90111002007	Pit control unit, 2-function with 37 m connection cable
90111002011	Pit control unit, 2-function with 55 m connection cable
90111002100	Pit control unit, 2-function with type F socket and stop switch
90111003000	Pit control unit, 3-function, turn release
90111003002	Pit control unit, 3-function with 10 m connection cable
90111003006	Pit control unit, 3-function with 30 m connection cable
90111003100	Pit control unit, 3-function with type F socket, stop switch and emergency button
90111003101	Pit control unit, 3-function with type F socket, light switch and stop switch
90111003102	Pit control unit, 3-function, pull release
90111004000	Pit control unit, 4-function with type F socket, light and stop switch and emergency button
90111004001	Pit control unit, 4-function with 5 m connection cable
90111004002	Pit control unit, 4-function with 10 m connection cable
90111004003	Pit control unit, 4-function with 15 m connection cable
90111004004	Pit control unit, 4-function with 20 m connection cable
90111004005	Pit control unit, 4-function with 25 m connection cable
90111004006	Pit control unit, 4-function with 30 m connection cable
90111004007	Pit control unit, 4-function with 35 m connection cable
90111005000	Pit control unit, 4-function with 5 m feeding cable
90111005002	Pit control unit, 4-function with 10 m connection cable and 5 m feeding cable
90111005004	Pit control unit, 4-function with 20 m connection cable and 5 m feeding cable
90111005005	Pit control unit, 4-function with 28 m connection cable and 5 m feeding cable
90111005007	Pit control unit, 4-function with 37 m connection cable and 5 m feeding cable
90111005009	Pit control unit, 4-function with 46 m connection cable and 5 m feeding cable
90111005011	Pit control unit, 4-function with 55 m connection cable and 5 m feeding cable
90111005013	Pit control unit, 4-function with 64 m connection cable and 5 m feeding cable

MAIN SWITCH

+ DIN EN 81/20
+ DIN EN 81/50



MAIN SWITCH

Item No.	Description
90117001003	Lockable main switch with casing, 32A
90117001004	Lockable main switch with casing, 40A
90117001005	Lockable main switch with casing, 63A
90117001007	Lockable main switch with casing, 100A
90117002002	Lockable main switch for installation, 25A
90117002003	Lockable main switch for installation, 32A
90117002005	Lockable main switch for installation, 63A

INSPECTION BOX

+ DIN EN 81/20
+ DIN EN 81/50



INSPECTION BOX

Item No.	Description
90112004000	Return control, 4-function
90112004001	Inspection box / Return control, 4-function
90112005000	Inspection box 5-function for the pit
90112005001	Inspection box 5-function
90112006000	Inspection box 6-function
90112006001	Inspection box 6-function
90112006002	Inspection box 6-function
90112007000	Inspection box 7-function
90112007001	Inspection box 7-function
90112008000	Inspection box 8-function
90112009000	Inspection box 9-function
90112010000	Inspection box 10-function

MACHINE ROOM STATION

MACHINE ROOM STATION

+ DIN EN 81/20
+ DIN EN 81/50 + 

Item No.	Description
9011800000	Machine room station, without connection cable
9011800001	Machine room station with 5 m connection cable
9011800002	Machine room station with 10 m connection cable



Machine room station

EMERGENCY STOP SWITCH

EMERGENCY STOP SWITCH

+ DIN EN 81/20
+ DIN EN 81/50 + 

Item No.	Description
90113001100	Emergency stop switch with casing TLP, pull-released without stop label
90113002000	Emergency stop switch with casing TLP, turn-released
90113002001	Emergency stop switch, turn-released, 5 m connection cable
90113002002	Emergency stop switch, turn-released, 10 m connection cable
90113002003	Emergency stop switch, turn-released, 15 m connection cable
90113002004	Emergency stop switch, turn-released, 20 m connection cable
90113002005	Emergency stop switch, turn-released, 25 m connection cable
90113002006	Emergency stop switch, turn-released, 30 m connection cable
90113003100	Emergency stop switch with casing TLP, pull-released
90113003101	Emergency stop switch, pull-released, 5 m connection cable
90113003102	Stop switch, pull-released, 10 m connection cable
90113004100	Stop switch with lever actuating



Stop switch



Stop switch

MISCELLANEOUS

MISCELLANEOUS

+ DIN EN 81/20
+ DIN EN 81/50 + 

Item No.	Description
90116000000	Functional block type 1 NO
90116000001	Functional block type 1 NC
90116000100	LED-display, red-green, 24V AC/DC
90116000200	Bypass-switch with casing, 4 NO
90116000300	Door opener with casing, change-over contact
90116000400	LED-buzzer with casing 12/24V
90116000500	Wall bracket for TLP4 and TLP5 boxes
90116000600	Casing with signal lamp green, 220 V
90116000700	Light sensor with casing, without connection cable
90116000701	Light sensor with casing with 5 m connection cable, illuminated
90116000703	Light sensor with casing with 15 m connection cable
90116000707	Light sensor with casing with 35 m connection cable, illuminated



LED-display



Bypass-switch



LED-buzzer



Door opener



Wall bracket

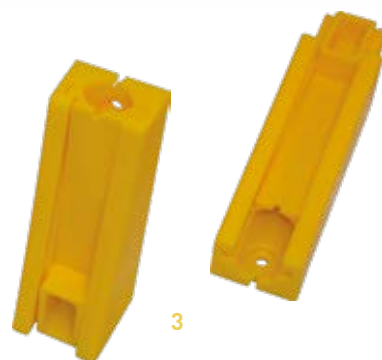
WEDGE CLAMPS FOR LIFT CABLES



1



2



3

Item No.	Description	
0981010050	Wedge clamp for flat cables (max. 18 conductors) , max. cable size 10x50 mm	1
0981017080	Wedge clamp for flat cables (max. 24 conductors) , max. cable size 17x80 mm	2
0982000026	Wedge clamp for round cables Ø 6–26 mm	3



MAGNET HOLDER KITS FOR GUIDE RAILS

By the use of a variety of our modular fastening system, it is possible to place the magnets outside of the guide rails. The magnet holder kit can be fixed to standard guide rails of different sizes. Therefore, an installation of the magnets between two parallel running guide rails is possible.

FIXING KIT: • Support plate bolt, M5 x 30 (x2) nut
• Left part (adjustable), right part (fixed) • Threaded studs

MAGNET HOLDER KIT: • Magnet holder with bolts M4 x 14 (x2)

MAGNET HOLDER KIT (EXTENSION): Connecting part with bolt M4 x 14 (x2)

FIXING KIT

Item No.	Description
903999001	Fixing kit for magnet holder systems

MAGNET HOLDER KIT

Item No.	Description
90301000002	Magnet holder kit for position switch support
903999004	Mounting set for limit switch

MAGNET HOLDER KIT (EXTENSION)

Item No.	Description
90301000001	Magnet holder extension kit for position switch support

INHOUSE CABLE ASSEMBLY TO CUSTOMERS' REQUIREMENTS



FOR FURTHER INFORMATION CALL US OR SEND US AN E-MAIL

PHONE: +49 (0) 7134 13797-13 • E-MAIL: EXPORT@STINGLONLINE.DE

LIFT BUFFERS

Lift Buffers
DIN EN 81-1/-2 compliant 105

Lift Buffers
DIN EN 81-20/-50 compliant 106

Lift Buffers
DIN EN 81-20/-50 compliant 107

LIFT BUFFERS DIN EN 81-1/-2 COMPLIANT

MATERIAL PROPERTIES: • Polycell® elastic cellular polyurethane elastomer • Density: 500 ±20 kg/m³ • Solid material • High dynamic load bearing capacity • Deformability up to 90% compared to the original buffer height • Resistance against oil, grease, petrol and ozone • Temperature range between -40°C – +80°C (-40°F – +176°F) • Avoid permanent contact with water • All buffers contain a 2mm thick, foamed-in steel plate • The contact surface should be even and approx. 15% larger and 1,5xD smaller than the diameter of the buffer, respectively

BUFFER MAINTENANCE: The buffers are generally maintenance free. During maintenance or inspection of safety relevant parts, the buffers should be checked visually, too. The buffers should be replaced if a visible deformation occurs due to a car drop over limit or at the end of the recommended period of use. Discoloration from white to brown has no influence on the technical characteristics of the buffer.

BUFFER SELECTION: The specification of the required buffer size goes by the energy absorption capacity depending on the dynamic load. Basis of calculation listed below:

IMPORTANT NOTE (NO CE-MARKING)!

E- and T-series elevator buffers are certified according to EN81-1 /-2. Buffers of the old series cannot be supplied with a CE-mark, as the buffers are not certified according to the current state of technology (EN81-20/-50). Since in Europe (EEC) safety components must have a CE-marking, we explicitly state that the buffers (without a CE-marking) cannot be used in a certified elevator system in Europe (EEC). Before purchasing the buffers, we ask you to check the exact situation and suitability for use, as the buffers supplied cannot be returned.



Accredited by LIFTINSTITUUT



LIFT BUFFERS EN 81-1/-2 COMPLIANT (NOMINAL VELOCITY V=0,70 M/S)

Item No.	Description	Diagonal D [mm]	Height H [mm]	Load range		90% Compression [mm]
				m min. [kg]	m max [kg]	
0991001600	Lift buffer E1	100	160	235	1,030	144
0991251600	Lift buffer E3	125	160	260	1,505	144
0991401000	Lift buffer E5	140	100	373	1,815	90
0990800800	Lift buffer T1	80	80			72
0991000800	Lift buffer T2	100	80	235	1,140	72
0991250800	Lift buffer T3	125	80	235	1,505	72
0991650800	Lift buffer T4	165	80	235	1,140	72
0992200800	Lift buffer T5	220	80	235	1,505	72

LIFT BUFFERS EN 81-1/-2 COMPLIANT (NOMINAL VELOCITY V=1,0 M/S)

Item No.	Description	Diagonal D [mm]	Height H [mm]	Load range		90% Compression [mm]
				m min. [kg]	m max [kg]	
0991001600	Lift buffer E1	100	160	235	1,030	144
0991251600	Lift buffer E3	125	160	435	1,505	144
0991401000	Lift buffer E5	140	100	542	1,580	90
0990800800	Lift buffer T1	80	80			72
0991000800	Lift buffer T2	100	80	235	800	72
0991250800	Lift buffer T3	125	80	235	1,026	72
0991650800	Lift buffer T4	165	80	235	800	72
0992200800	Lift buffer T5	220	80	235	1,026	72



LIFT BUFFERS DIN EN 81-20/-50 COMPLIANT

Our new generation of maintenance-free safety buffers made of Diepocell BM® has been optimally adjusted according to the new EU standard EN 81-20/-50. The strong damping, as well as high working recordings with large load ranges will win you over. Due to their minimal rebound, the certification standard DIN EN 81-20/-50 could already be carried out in July 2015. In addition to the new standard, the buffers are also certified according to the old standard EN 81-1/2. The P+S buffer elements have always been preferred in elevator and crane construction. The new D-series fits seamlessly into our reliable product range of buffer elements. Usage in areas with high humidity and tropical areas is no problem for the buffers of our D-series. Even under extreme conditions, damping-optimized P + S bumpers from iepocell BM® impress with their extraordinary material properties.

PRODUCT PROPERTIES: • exceptional damping properties • maximum deformability with low transverse strain • coverage of wide load ranges • good resistance to mineral oils and greases • good resistance to ozone, UV and high-energy radiation • temperature range from -30 °C to +80 °C • climate control tested • all standard versions available

LIFT BUFFERS EN 81-20/50 COMPLIANT (NOMINAL VELOCITY V=0,63 M/S)

Item No.	Description	Diagonal D [mm]	Height H [mm]	Load range		Residual height		Transverse strain Ø [mm]
				m min. [kg]	m max [kg]	m min [mm]	m max[mm]	
0990800802	Lift buffer D0	80	80	150	1,200	56.5	16.2	90
0991000802	Lift buffer D1	100	80	200	1,500	59.7	20.6	110
0991000803	Lift buffer D2	100	80	250	3,200	65.5	19.3	110
0991250802	Lift buffer D3	125	80	500	5,200	65.5	19.3	136
0991400802	Lift buffer D4	140	80	320	4,000	65.7	19.4	149
0991650802	Lift buffer D5	165	80	600	7,500	66.5	19.8	178
0992200802	Lift buffer D6	220	80	950	9,400	68.4	26.5	233
								266

LIFT BUFFERS EN 81-20/50 COMPLIANT (NOMINAL VELOCITY V=1,0 M/S)

Item No.	Description	Diagonal D [mm]	Height H [mm]	Load range		Residual height		Transverse strain Ø [mm]
				m min. [kg]	m max [kg]	m min [mm]	m max[mm]	
0990800802	Lift buffer D0	80	80	180	600	42.9	91	19.3
0991000802	Lift buffer D1	100	80	220	700	39.2	22.2	104
0991000803	Lift buffer D2	100	80	330	1,250	43.7	23.3	115
0991250802	Lift buffer D3	125	80	600	1,850	49.4	27.8	115
0991400802	Lift buffer D4	140	80	450	1,500	45	26.1	143
0991650802	Lift buffer D5	165	80	650	2,700	49.7	27.2	163
0992200802	Lift buffer D6	220	80	1,500	5,500	46.3	26	192
								205
								244
								275

LIFT BUFFERS DIN EN 81-20/-50 COMPLIANT

The lift buffers "Henning Performance" are energy-absorbing hydraulic buffers according to EN-81-20: 2014, EN-81-50: 2014 5.5 and universally applicable for all applications in elevator construction. The prototype testing allows the use in passenger and goods lifts both below the car and below the counterweight.

PRODUCT PROPERTIES: Certified acc. to EN81-20/50 • Made in Germany • Meets all the requirements of the modern elevator industry • Robust, durable and lightweight design • Wide range of impact masses and nominal speeds • Easy installation • Initial filling with oil • Mechanical piston return with spring • Mechanical safety switch triggered by shift ruler • All documents / certificates are available at www.henning-gmbh.de



Absorption graphic

LIFT BUFFERS DIN EN 81-20/-50 COMPLIANT

Item No.	Description	HUB	Nominal speed	Max. impact-speed	Impact mass	Weight incl. oil
		[mm]	[m/s]	[m/s]	m max. [kg]	[kg]
0990400800	Lift buffer Performance Hub 80, EN 81-20 <small>+DIN EN 81/20+ +DIN EN 81/50+</small>	80	1.0	1.15	450-3,200	12
0990401200	Lift buffer Performance Hub 120, EN 81-20	120	1.3	1.495	450-3,500	13
0990401750	Lift buffer Performance Hub 175, EN 81-20	175	1.6	1.84	450-3,500	14
0990402750	Lift buffer Performance Hub 275, EN 81-20	275	2.0	2.3	450-3,500	17
0990404300	Lift buffer Performance Hub 430, EN 81-20	430	2.5	2.875	450-3,500	22
0990504250	Lift buffer Performance Hub 425, EN 81-20	425	2.5	2.875	500-4,500	47
0990506950	Lift buffer Performance Hub 695, EN 81-20	695	3.2	3.68	500-4,500	68
0990509500	Lift buffer Performance Hub 950, EN 81-20	950	3.7	4.255	500-4,500	86



DIMENSIONING OVERVIEW

Item No.	Description	S	L	N	A	B	C	D	E	F	G	P
0990400800	Lift buffer Performance Hub 80, EN 81-20 HPL	80	305		160	120	20	18		100	130	80
0990401200	Lift buffer Performance Hub 120, EN 81-20 HPL	120	385		160	120	20	18		100	130	80
0990401750	Lift buffer Performance Hub 175, EN 81-20 HPL	175	495		160	120	20	18		100	130	80
0990402750	Lift buffer Performance Hub 275, EN 81-20 HPL	275	715		160	120	20	18		100	130	80
0990404300	Lift buffer Performance Hub 430, EN 81-20 HPL	430	1,065		160	120	20	18		100	130	80
0990504250	Lift buffer Performance Hub 425, EN 81-20 LP	425	1,065	640	200	160	20	18	135	155	150	100
0990506950	Lift buffer Performance Hub 695, EN 81-20 LP	695	1,665	970	200	160	20	18	135	155	150	100
0990509500	Lift buffer Performance Hub 950, EN 81-20 LP	950	2,235	1,285	200	160	20	18	135	155	150	100

GUIDE RAIL LUBRICATORS AND OIL COLLECTORS

Oil Collecting Reservoirs	109
Guide Rail Lubricators	109
Zauberwatte®	110
Elevator Lubrication	111

OIL COLLECTING RESERVOIRS

Oil collecting reservoir for guide rails. 3 optional plastic bottles increase oil storage capacity and can help reducing costly maintenance intervals.

The oil collecting reservoir can be removed as one or every single bottle can be emptied separately. Each plastic bottle is oil resistant and has a capacity of 500ml.

Oil collecting reservoirs can be equipped with an additional flexible tube upon request in order to allow separate storage of the bottles away from the main reservoir. The standard tube length is approx. 50cm.

OPTION: 3 plastic bottles with stopper and washer to increase oil storage capacity, easy and safe to empty, pre-assembled.

Item No.	Description	
021999006	Oil collector for guide rails 5–16 mm, diameter 160 mm, height 50 mm	1
021999007	Oil collector for guide rails, with additional bottle reservoir	2



GUIDE RAIL LUBRICATORS

ADVANTAGES: • Robust plastic design, one-piece • Large oil storage capacity • Easy to assemble, supplementary • Installation possible • Replaceable • Oilsaving by capillary attraction

Item No.	Description
021999004	Guide rail lubricator type 100 (5–16 mm guide rails) for guide shoes WSMK, WSMKL, WSM; 82x108x127 mm (HxWxD)
021999005	Guide rail lubricator type 120 (5–16 mm guide rails) for guide shoes HSMK, WSMK, HSM, WSM,HSML, WSML, HSMEL, WSMEL; 123x145x39 mm (HxWxD)



Type 100



Type 120

15



Zauberwatte®

THE OIL AND CHEMICAL BINDING AGENT ZAUBERWATTE® (MEANS "MAGIC COTTON WOOL") AGAINST OIL CONTAMINATION

PROPERTIES: Zauberwatte® absorbs everything that is lighter than water • it binds contamination from oil and chemicals within seconds • The Zauberwatte® can be removed without residue and then recycling • Just 1 kilogram of Zauberwatte® is enough to absorb 6 litres of oil – 1/3 more than any other oil-binding agents that are available

FUNCTIONALITY: Place the Zauberwatte® on the oil contamination, wait for a short period and simply remove it.

Zauberwatte® is the Winner of the European Inventor Award 2017 and certified by DEKRA Umwelt GmbH.

MODE OF ACTION:



Water with oil



Put the cotton on water



Wait a moment



Simply remove the cotton

The result is clean water.

Zauberwatte® PAD: the smart addition to any oil collection container and thus a real relief for lift maintenance. The Zauberwatte® pad binds the oil within seconds, can be removed without leaving any residue and can then be recycled.

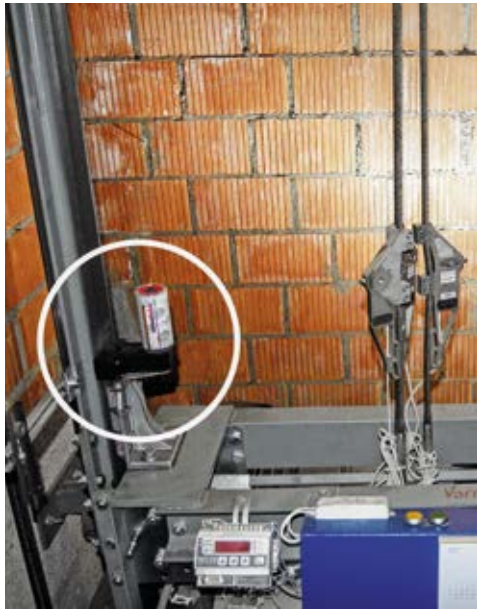
ADVANTAGES: quick and clean removal of the used oil from the container • very fast cleaning of the containers and thus approximately 80% quicker than before • Complete disposal as All-in-One Service optional



Item No.	Description	
021999070	Zauberwatte® net sleeve light 100 x Ø 4 cm	1
021999071	Zauberwatte® pad for round oil collection container	2
021999073	Zauberwatte® non-woven fabric cloth	3

ELEVATOR LUBRICATION

The guide rails on elevators need to be permanently lubricated in order to prevent dry friction. By dispensing precisely the right amount of lubricant, the simalube® lubrication system reduces the need for maintenance and cleaning work on the elevator cabin and shaft. It is therefore also a particularly good system to use on maintenance-intensive elevators installed on the outside of buildings and on panoramic elevators.



LUBRICATION OF GUIDE RAILS: The simalube® lubrication system is the optimal solution for the guide rail. It protects the rail with a constant film of oil and cleans it at the same time. The simalube® elevator brush set is fixed directly to the elevator roof or the guide rail shoe.

SIMALUBE® LUBRICATION SYSTEM: The lubrication system consist of one elevator brush with self adjusting brush body, one elevator brush holder for assembly and the automatic lubricator system simalube®, for an ongoing and regulated oiling of the brush.

FURTHER BENEFITS:

- Reduction of service requirements and maintenance costs
- No more oil spillage or splashes
- Simple to retrofit existing installations
- Improved occupational safety (no risk of slipping on excess oil)
- Constant application of lubricant
- Stepless setting of lubricant dispensing time from one month to one year
- Refillable oil lubricator

SPECIFIC BENEFITS FOR ELEVATORS:

- Simultaneous lubrication and cleaning of guide rails
- Elevator runs quietly
- Containers to catch excess oil no longer required

If you have any questions about how to use simalube® products in elevators and escalators, we will be pleased to advise you further.

Item No.	Description
021999014	Elevator lubrication system without simalube® lubricators
021999021	Lubricator system simalube® SL16, 60 ml 1
021999022	Lubricator system simalube® SL16, 125 ml

ACCESSORIES

Item No.	Description
021999015	Mounting support for elevator brush standard
021999019	Elevator brush small, 5–16 mm 2
021999020	Elevator brush large, 16–32 mm 3
021999031	Guide shoe WSMK 100 ALU
021999032	Guide shoe WSM 140 ALU



Elevator brush for lubrication of guide rails with widths of 5–16 mm and depths of up to 25 mm

ACCESSORIES FOR ESCALATORS

Stingl's handrail and escalator protectors keep systems safe from installation through to commissioning whenever the protective films provided by the manufacturer aren't enough in their own. Our work tents provide protection during preliminary excavation work.



SCHWABENGALERIE STUTTGART-VAIHINGEN

The architecturally appealing shopping centre is part of a sophisticated urban development plan. 85 engineers and architects have joined forces with 650 construction workers on a building that houses around 50 specialist shops and a wide range of eating estab-

lishments. Escalators totalling 140 meters in length will keep people moving around the renovated building, all of which have been kept safe with Stingl protectors until the shopping centre opened its doors.



ACCESSORIES FOR ESCALATORS

Escalator Protection	115
Handrail Protection	115
Work Tent	115

ESCALATOR PROTECTION

Escalators are exposed to several external impacts during the installation process (e.g. weather, third parties working on site etc.). Common foil protection is often insufficient in order to avoid damage. High repair and cleaning costs are the possible result.

The STINGL escalator protection has many advantages over conventional solutions:

- Protection of escalators during the whole construction phase of a building
- Avoiding of escalator "utilisation" by third parties during standing times
- Saving of repair costs caused by damage on site

- Time and administration savings due to avoiding of damage to escalators
- Cost savings due to re-usability instead of new expensive solutions for every project
- Light-weight synthetic material allows easy handling
- Reduced packing measures facilitate transportation to and from site
- Weather-resistant and sturdy material
- The protection fits also in the rounded upper and bottom sections of the escalator
- Several protection elements can be coupled to a chain
- Damaged tubes can be exchanged easily

Item No.	Description
022999004	Escalator Protection 2,150x1,500 mm

HANDRAIL PROTECTION

The handrail protection provides the following benefits:

- Self clamping
- Quick and cost efficient mounting
- Avoids repair and cleaning costs
- Also suitable for curved sections

In connection with the escalator protection, the handrail guards perfectly avoid or reduce damages on site.

Both protective items can also be combined with foil protection provided by the escalator manufacturer.

Item No.	Description
022999003	Handrail protection for escalators and travelators

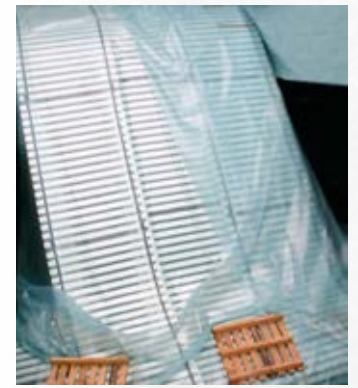
WORK TENT

DESIGN AND FUNCTION: Both front sides can be opened in the middle and closed with belts. Reinforced joints. Red/white hazard markings, circum-

ferential. The clothing is fastened with belts to the frame.

Item No.	Description	Length	Width	Ridge height	Marginal height
088999001	Work tent Type A 200 tubular steel scaffolding	2,000	2,000	2,100	1,650
088999006	Work tent Type A 300 tubular steel scaffolding	3,000	2,000	2,100	1,650
088999007	Work tent Type A 450 tubular steel scaffolding	4,500	2,000	2,100	1,650

CUSTOMISATION UPON REQUEST



Details: White PVC-tubes 80x30x2mm, connected with two synthetic bands (screwed).

Overall dimensions of an extended element:
2,150x1,500x35mm (LxWxH)



Details: PE-foam
Colour: blue
Standard length: 2m ±2%
Opening width: max. 92mm
Strength: 18mm
Meter per packing unit: 72m (36 pieces)



Details: PSE-clothing on both sides coated with PVC, circa 600g/qm, durable against rotting
Colour: white/translucent
Frame: Steel, 32/1.5mm, passivated, foldable

WIRE ROPE TRACTION HOISTS

Wire Rope Traction Hoists 117

WIRE ROPE TRACTION HOISTS

Wire rope traction hoists are the ideal drive system for lifts, elevator installation, suspended working platforms and height-adjustable work locations.

The product allows an unlimited lifting height.

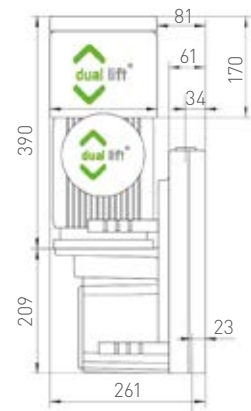
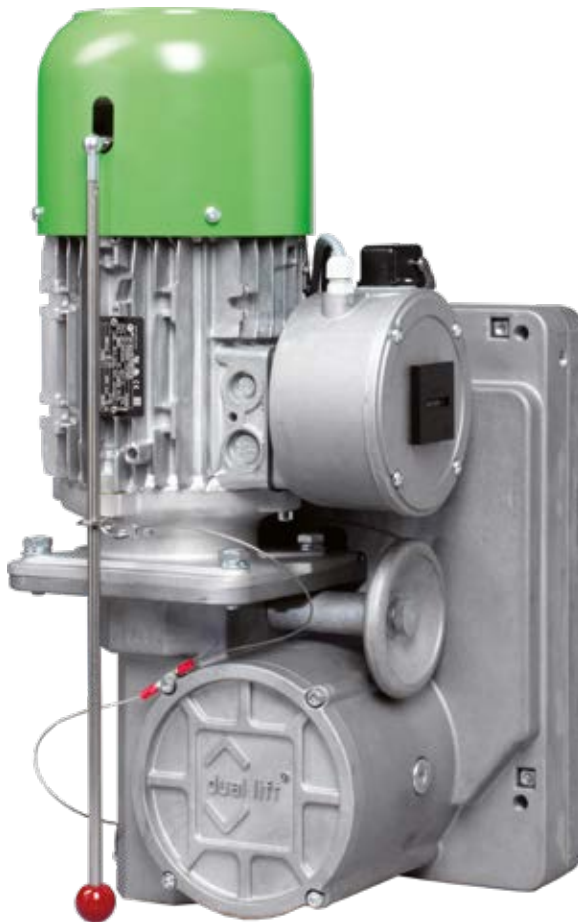
The wire rope passes through a traction sheave. Friction between a V-shaped groove of the sheave and the rope pressed in the groove produces the traction.

TECHNICAL DATA: Quality is our central concept. All hoists are Made in Germany. They offer the highest standards and meet exactly the market's demands.

Guaranteed by several comprehensive dynamic, static and safety tests.

NOTE: Consequently we offer customized wire rope traction hoists for man riding as well as material handling and all necessary accessories.

GENERAL INFORMATION: Safety is priority: The wire rope traction hoists meet the standard DIN EN 1808, CSA Z-271, UL 1323 or ANSI 17.1 requirements. The overspeed fallarrest has a shock factor 15% better than DIN EN 1808 requires. Overspeed safety lock (also with electric switch) and inclination safety lock are optional safety devices for manriding traction hoists. The hoists are also available with a radio remote control or a telematic solution for theft protection and distance maintenance. All products have safety certificates, such as CSA, UL and CE.



MANRIDING HOIST ACCORDING EN 1808 WITH PLUG-IN PENDANT CONTROL AT THE HOIST, 2,5M CABLE

Item No.	Description	Payload	Rope	Speed	Voltage	Frequency
067040000910	S P408 CE9 400V 3Ph	400 kg	8 mm	9 m/min.	400V 3Ph	50/60Hz
067040001810	S P408 CE18 400V 3Ph	400 kg	8 mm	18 m/min.	400V 3Ph	50/60Hz
067060000910	UpPro P508 CE9 400V 3Ph	600 kg	8 mm	9 m/min.	400V 3Ph	50/60Hz
067100000910	UpPro P1010 CE9	1,000 kg	10 mm	9 m/min.	400V 3Ph	50/60Hz
067100091810	UpPro P1010 CE9/18	1,000 kg	10 mm	9 & 18 m/min.	400V 3Ph	50/60Hz
067100091810	UpPro 2514 VFD 5-18 400V 3Ph	2,000 kg	10 mm	9 m/min.	400V 3Ph	50/60Hz
067250051810	UpPro P2514 VFD 5-18 400V 3Ph	2,500 kg	14 mm	18 m/min.	400V 3Ph	50/60Hz

MATERIAL TRANSPORT HOIST WITH PLUG-IN PENDANT CONTROL AT THE HOIST, 2.5M CABLE

Item No.	Description	Payload	Rope	Speed	Voltage	Frequency
067060000920	M508 CE9 400V 3Ph	600 kg	8 mm	9 m / min	400V 3Ph	50/60Hz

DRUMS

Item No.	Description	Dimension of drum Øxwidth	Max. rope length per rope diameter		
			Ø 8mm	Ø 10 mm	Ø 14 mm
067999016	Metal drum 200	430 x 200 mm	290 m	200 m	120 m
067999019	Metal drum 300	430 x 300 mm	440 m	310 m	185 m
067999009	Metal drum 400	430 x 400 mm	580 m	400 m	245 m
067999020	Wood drum 400	400 x 260 mm	380 m	250 m	245 m
067999021	Wood drum 500	500 x 250 mm	500 m	330 m	315 m
067999022	Wood drum 600	630 x 370 mm	1,300 m	900 m	

ROPES AND CUTTING

Item No.	Description
067999015	Rope 8 mm for guided loads
067999024	Thimble and hook 8 mm including cutting
067999006	Rope 10.2 mm for guided loads
067999036	Thimble and hook 10.2 mm including cutting
067999040	Rope 14 mm for guided loads
067999041	Thimble and hook 14 mm including cutting

ACCESSORIES

Item No.	Description
067999002	Remote control for hoist
067999004	Block with 1 pulley
067999007	Rope tensioning weight
067999010	Basic extension for hanging switch
067999011	Extension cable for hanging switch
067999012	Wall bracket for hoist
067999017	Adapter with eye-hook fixing on bottom of hoist, payload 1.000 kg
067999025	Emergency limit switch at hoist (upper fixing)
067999026	Rope guide spring, max. 100 m, 10 mm rope
067999027	Adapter elevator construction
067999031	Safety bond 2,5 m long with SOCS-hook 6-8
067999042	Clamp 5,0 t with 1 pulley
067999043	Rope weight with pulley for 14 mm rope
067910101	Overspeed Safety Lock OSL 1010 CE
067910102	Overspeed Safety Lock OSL 1010 CE-E



Inclination Safety Lock +
Radio Remote Control



Overspeed Safety Lock

EMERGENCY CALL SYSTEMS

SafeLine MX3+	121
SafeLine SL6	122
Safeline Configuration and Accessories	123
How To Select Your Safeline Emergency Telephone	124
Emergency Phone Elseco	126
ENQT Netztester LTE	126

SAFELINE MX3+

The SafeLine MX3+ is probably the smallest EN81-28- and EN81-70-compatible lift emergency call telephone in the world. The SafeLine MX3+ is even smaller, is equipped with even more functions and is only 12.5 mm deep.

Five different configurations are available: • On site via the integrated keyboard • by means of remote configuration via a mobile telephone • via a computer on which the SafeLine Pro software is installed • by means of remote configuration via a standard analogue telephone • by means of remote configuration via a ProLink device that is connected to a computer with the SafeLine Pro software. Up to four telephone numbers with voice or protocol identification.

KEY FEATURES: • Connection for external emergency button (N/O) • Adjustable delay for emergency call connection • Voice identification messages to the call centre and emergency messages to the cabin – direct recording on site or by means of pre-recorded audio file. • Automatic test alarm at configurable intervals (max. 3 days in accordance with EN81-28) • connection of up to nine SafeLine MX3+ devices to the same telephone line • GSM option upon use of the additional SafeLine GL GSM products • connection of external pictograms • connection of additional intercoms via RJ12 (LT Stat series) • connection of external audio induction loop • available with pictograms with background lighting • dust and water protection: IP43 • 2 configurable relay outputs. Can be activated via DTMF

CONFIGURATION EXAMPLE SAFELINE SL MX3+-1 LIFT VIA GSM

Item No.	Description	
92002031000	MX3+ installation behind COP	1
92002049000	UP2 emergency electricity supply	2
92002900200	Comphone machine room telephone station	3
92002900306	2x emergency call button with clip for installation above and below the cabin	4

SAFELINE MX3+ MAIN MODULE

Item No.	Description	
92002031001	MX3+ installation behind COP with round LEDs	
92002031000	MX3+ installation behind COP	1
92002031201	MX3+ with pictogrammes, flush-fitted	
92002031301	MX3+ with pictogrammes and emergency alarm button, flush-fitted	
92002031202	MX3+ with pictogrammes, surface mounting	
92002031302	MX3+ with pictogrammes and emergency alarm button, surface mounting	
92002031303	MX3+ with pictogrammes and emergency alarm button, surface mounting	
92002031304	MX3+ with pictogrammes and emergency alarm button, flush-fitted	

SAFELINE MX3+ ACCESSORIES

Item No.	Description	
92002049000	UP2 emergency electricity supply	2
92002046000	GSM-accessories GL6, with floating battery and 230 VAC	
92002047000	IC2 intercom	
92002900200	Comphone machine room telephone station	3
92002900306	Emergency call button with clip for installation above or below the cabin	4
92002902201	Telephone station for MX (loudspeaker, microphone and button)	
92002901509	Connector cable MX3+	
92002902802	Adapter cable MX2/MX3+	
92002046001	GL6 with full housing, completely encapsulated	



Configuration example: main device, emergency electricity supply, telephone station, emergency call button



Configuration example: main device, cabin telephone station, telephone station, emergency call button

SAFELINE SL6

The complete next-generation emergency call and fire alarm system according to EN 81-28, EN 81-70 and EN 81-72, type-examination tested by TÜV Rheinland. SafeLine SL6 for connecting up to six telephone stations in the cabin, on the cabin roof, in the lift shaft, in the machine room or on the floor; no additional interface cards are required.

SafeLine SL6 Mini corresponds to SafeLine 6, with a special design for installation within the lift control cabinet.

KEY FEATURES: • Internal bus system – only two cables, plus supply voltage • internal and/or external pictogram in accordance with EN 81-70 • support of fire alarm systems according to EN 81-72 • integrated 12 V floating battery • PSTN/GSM with redundancy • reception of emergency calls • automatic battery condition test • automatic microphone and loudspeaker self-test • test alarms according to EN 81-28

CONFIGURATION EXAMPLE SAFELINE SL6 GSM-1 LIFT VIA GSM

Item No.	Description	
92002611201	SL6 GSM main device	1
92002621700	Cabin telephone station without front plate (COP)	2
92002900200	Comphone machine room telephone station	3
92002900306	2x emergency call button, NO with clip for installation above and below the cabin	4

SAFELINE SL6 MAIN MODULE

Item No.	Description	
92002611101	SL6 PSTN main device	
92002611201	SL6 GSM main device	1
92002611102	SL6 Mini main device	
92002611202	SL6 GSM Mini main device	

TELEPHONE STATION SL6

Item No.	Description	
92002621000	SL6 cabin telephone station for installation behind the cabin control panel	
92002621101	Cabin telephone station flush mounting	
92002621201	Cabin telephone station with pictograms, flush mounting	
92002621301	Cabin telephone station with pictograms and button, flush mounting	
92002621102	Cabin telephone station surface mounting	
92002621202	Cabin telephone station with pictograms, surface mounting	
92002621201	Cabin telephone station with pictograms, flush mounting	
92002621302	Cabin telephone station with pictograms and button, surface mounting	
92002621402	Cabin telephone station with emergency call LED, surface mounting	
92002621500	Cabin telephone station with pictograms and LED frame, surface mounting	
92002621602	Telephone station for cabin roof/lift shaft, with button	
92002621700	Cabin telephone station without front plate (COP)	2
92002621800	Cabin telephone station, installation behind the cabin control panel	
92002611203	Safeline SL6 PSTN and GSM with 4G GSM modem	

SAFELINE SL6 ACCESSORIES

Item No.	Description	
92002900200	Comphone machine room telephone station	3
92002900306	Emergency call button with clip, NO for installation above and below the cabin	4
92002631000	GSM interface card	
92002631001	SL6 interface card GSM 4G	
92002631002	SL6 mainboard	

SAFELINE CONFIGURATION AND ACCESSORIES

SAFELINE CONFIGURATION AND ACCESSORIES

Item No.	Description
92002201000	SafeLine Call Center, modem and software
92002900601	Programming cable, serial, 2 m
92002900602	Programming cable, serial, 5 m
92002900603	Programming cable, USB-serial, 1,5 m
92002900604	Programming cable, USB mini, 3 m
92002900700	USB to RS232 adapter
92002900800	Connectable (accessorie for wireless programming)
92002901200	SafeLine ProLink, unit for remote configuration

MORE SAFELINE PRODUCTS UPON REQUEST!

HOW TO SELECT YOUR SAFELINE EMERGENCY TELEPHONE

Safeline offers an extensive range of emergency telephones, suitable for all needs to comply with EN81-28, EN81-70 and EN81-72. We have the solution for you, regardless if you need a small standalone unit like MX3+ for mounting on the car wall or if you're looking for a sophisticated system like SL6 with GSM, battery backup and multiple voice stations in the shaft.

SL2 and SL4 are both "triphonic" products; specifically developed to meet the need for a three part system with button, microphone and speaker both on the

roof and in the pit, as well as in the car. The new SL4 unit has both battery backup and hearing loop integrated and can operate on either PSTN or GSM.

All Safeline telephones communicate through open protocols (P100, CPC, 023) and they are easily configured and re-configured. The new generation of Safeline telephones also include the CONNECT feature; Bluetooth compatibility enabling easy configuration and testing through your smartphone and the Safeline CONNECT app.

MODEL COMPARISON SAFELINE LIFT TELEPHONE

	MX3+	SL6
Location identification by open protocol ID, or by recorded voice message	•	•
Calming announcement to the entrapped passengers (recorded voice message)	•	•
Several open communication protocols allow connection to any call-centre	•	•
Superb sound quality and advanced hands-free with echo cancellation	•	•
Not powered by telephone line. Avoids problems with weak or long phone lines, spikes, thunderstorms, trigger signals, etc.	•	•
Up to 9 Safeline telephones can share the same telephone line and still be called individually	•	•
Use existing (NO/NC) alarm button (no need for separate contacts)	•	•
Up to four emergency numbers in sequence	•	•
Several answering modes	•	•
Emergency calls, Test alarms and LMS tickets have separate telephone numbers	•	•
Active alarm/ end of alarm functions (indications & tickets to call-centre)	•	•
Pictograms indicating the alarm status according to EN81-28.	•	•
Battery supervision according to EN81-28	•	•
Mains power supervision	optional	•
Automatic audio chain checks (microphone+ speaker+ amplifiers)	•	•
Stuck alarm button supervision	•	•
Stored numbers, voice messages and parameters never lost (flash memory)	•	•
Start counter that can alert for maintenance need	•	•
Can transmit detailed information from the lift controller (tickets)	•	•
Inputs for monitoring	•	•
LMS signals (Lift Monitoring System) for external fault signals	•	•
Unique auto-allocation of time slots for test alarms, avoids problems with clock synchronizations	•	•
Test alarms every 3 days, according to EN81-28, performed without any call cost (caller ID)	•	•



MODEL COMPARISON SAFELINE LIFT TELEPHONE

	MX3+	SL6
Programming on site by analogue telephone or with laptop, from remote with a standard telephone or with Windows based Safeline Pro (freeware)	•	•
Plenty of programmable parameters and modes; easily adapts to your needs	•	•
Flexible installation; surface mount, flush mount, ceiling mount or behind COP	•	•
Integrated EN81-28 pictograms	•	optional
Standard telephone line (PSTN)	•	•
GSM version	optional	optional
Emergency battery	optional	•
Intercom support (machine room/ car/ car top/ below car/ lift pit)	2 positions	6 positions
Car station with emergency light		optional
Car station with built-in emergency button	•	optional
Separate voice messages from car top/ car/ lift pit		•
Outputs for external pictograms		•
Internal 2 wire bus system		•
Telephone line redundancy		•
Outputs (drive lift up/down, reset controller, open door, etc.)		•
Main unit size in mm (HxWxD)	130x78x21	160x241x49
Supply voltage	10-30VDC	230 VAC



EMERGENCY PHONE ELSECO

Item No.	Description
9110300001	Lift phone GSM-9000

ACCESSORIES

Item No.	Description
9110300002	Connection kit pre-wired according to EN 81-28

INTERCOM STATIONS WITH MICROPHONE & SPEAKERS

Item No.	Description
9110300003	Machine room intercom station
9110300004	Intercom station with microphone and loudspeaker as housing-free circuit board
9110300005	Intercom station with microphone and loudspeaker with plastic back, without housing
9110300006	Intercom station with microphone and loudspeaker in plastic housing
9110300007	Intercom station with microphone and loudspeaker in plastic housing with release button
9110300008	Stainless steel housing for wall mounting with release button and LED pictograms
9110300009	Stainless steel housing for flush mounting with release button and LED pictograms



ENQT NETZTESTER LTE

- Measuring device for recording mobile phone signals
- One-time measurement and live measurements possible
- Exporting of measured values possible

Avoid expensive installation aborts, second visits and evaluate mobile networks holistically. We record the signal strength, transmission rates and many other network parameters.

DEVICE FUNCTIONS:

- Meter test – for a comprehensive check of the mobile network
- Signal test – our live measurement mode for antenna positioning
- Setting of provider, bands and frequencies
- EU-wide roaming possible
- Repeat measurements and progression chart
- Connection of your own antennas for optimal testing
- Touch display for very easy handling
- Upgradability between the model variants

ENQT NETWORK TESTER LTE

Item No.	Description
9110400001	Netztester LTE
9110400003	Netztester LTE lite



REENGINEERED DRIVES

Reengineered Drives

129

REENGINEERED DRIVES

Our partner NDC Elevator Drives, based in England, specialises in the replacement of reengineered drives. NDC Elevator Drives repairs fundamentally defective original devices. The original housing is maintained and reused (replacement device). The electronics are repaired with new components. Here, highly robust technology is used.

The converters can be exchanged 1:1 with the existing device, cost-efficiently and without the need for a new type approval.

Here, our customers have three options:

- Receipt of a replacement device without returning a defective converter
- Receipt of a replacement device, returning a defective converter (original converter without external damage)
- Repair of a defective converter within approximately five to seven days (original configurations are maintained)



Item No.	Description
50099991009	Reengineered drive without return
50099992009	Reengineered drive with return
50099993009	Repair of reengineered drive

LOAD MEASUREMENT

Overload Control System	131
Overload Control System	
WeightWatcher Light	132
Overload Control System	
WeightWatcher Light	
MultiRope	132
Overload Control System	
WeightWatcher Light Beam	133
Mobile Rope Load	
Measuring System	133

OVERLOAD CONTROL SYSTEM

The Henning over-load control system is based on a patented measuring principle. There is a sensor installed at each rope in the shaft or at the hitchpoint. These sensors no longer need to be calibrated using weights; the time-consuming usage of weights is no longer necessary. Storekeeping, too, is simplified: one sensor module matches different rope diameters or eye bolt diameters. The rope tension setting assistant integrated in the software is unique and amazingly simple: it only takes a few minutes to achieve an optimum setting of a complete set of ropes. This and the permanent rope tension monitoring feature allow the undesired and needless wear of traction sheaves and ropes to be prevented in a reliable manner.

HIGHLIGHTS: • Calibration with weights not necessary thanks to the patented measuring principle • Suitable for different rope diameters and rope types and belts • 4 programmable alarm relays or CANopen (depending on the evaluation unit) • Up to 12 rope sensors per evaluation unit • Integrated slack rope alarm • Permanent monitoring of the load distribution • Equipped with USB interface and free PC software • Software wizard for the adjustment of the optimum single rope tension to avoid unnecessary wear • automatic compensation chains and rope measurement

METHOD OF FUNCTION: Every single rope is fitted with a load sensor. Either directly at the rope or at the hitchpoint. The sensors are simply plugged into the evaluation unit AE12 which – without any calibration by weights – immediately indicates the overall

weight and the individual rope loads. The desired alarms are set via the display and keys of the unit or via the free PC software. The unit then triggers the alarms for up to 4 different load limits, slack rope conditions and any diverging individual rope loads.

Installed and ready for operation within minutes!

LOAD SENSOR LS: Design of the rope load sensor LS follows a patented measuring principle ceasing the expensive calibration of the elevator by test weights. The rope load sensor suits 3 rope diameters and is ready for use. It is provided with a mains lead of 2,5m length.

LOAD SENSOR RC: Our RC-series of "Donut"-load sensors are installed directly at the hitchpoint. For this reason Henning load sensors RC „Donut“ are ideal for new elevator installations and also for modernization. On elevators with 1:1 suspension, the Donut-Load sensors are mounted on top of the car, on elevators with 2:1 suspension the load sensors are mounted at the hitchpoint on the car side. Our RC-series of "Donut"-load sensors are able to measure absolute weights at each rope or belt, thereby making calibration with weights redundant. Due to the engineering and the design we have chosen, each load sensor of our RC-series covers a wide bandwidth of different loads and rope diameters. The sensors are ready for immediate use after connection with an evaluation unit AE12 without the time consuming entering of calibration parameters for the sensors.



WeightWatcher AE12



Donut load sensor RC 1000



* Rope load sensor LS 2000 (6–16mm):

Rope load sensor for special use with extended measuring range. Inclusive pre-calibrated for rope diameters- and Measuring ranges.

Please always specify for the pre-calibration: cabin weight (kg), cabin load (kg), type of suspension number of ropes (amount) and rope diameter (mm).

OVERLOAD CONTROL SYSTEM WEIGHTWATCHER

Item No.	Description
68000455000	AE12
68000455002	AE12 analogue
68000455005	AE12 CANopen
68000455250	Donut load sensor RC 300
68000455255	Donut load sensor RC 500
68000455260	Donut load sensor RC 1000
68000455265	Donut load sensor RC 3500
68000455500	Rope load sensor LS 1
68000455400	Rope load sensor LS 2
68000455850	Rope load sensor LS 2000*

ACCESSORIES

Item No.	Description
68000455020	Casing AE12/AE16/AE8
68000455006	Power supply 15W, 230V for AE12/AE16/AE9/AE12 Software
68000455505	LS connection cable extension up to 20m
68045000113	Additional cable screwing in housing for AE12/AE16/AE8

20



AE8 light standard



Donut load sensor RC 1000 light



WeightWatcher light Multirope

OVERLOAD CONTROL SYSTEM WEIGHTWATCHER LIGHT

The load measuring sensors LS Light round off the existing product line of Henning load measuring systems in the reasonably priced segment and are suitable for almost all fitting situations. Thanks to its small size the LS sensor even fits where shaft ceilings are low and ropes are closely spaced. The applications in the range of 4 to 13 mm rope diameters also meet requirements. Up to 8 or rather 16 sensors can be connected to the evaluation unit Light using the 2.5 m long cables.

HIGHLIGHTS: • One type of sensor for rope diameters ranging from 4 to 13 mm • Extremely compact rope load sensors • freely programmable output relays • Measurements possible on up to 8 or 16 ropes

METHOD OF FUNCTION: During installation the pin of the retaining strap is opened and the sensor is put against the rope. The retaining strap is then closed again and the clamping screw is tightened up until the rope is pressed against the sensor body. An exact tightening torque must not be applied. Special tools are not needed. The LS Light rope load sensors are connected to the evaluation units AE 8 Light or AE16 Light. The installation with plugs (no terminals) saves time and prevents mistakes being made during connection. After sensor calibration, the evaluation unit Light displays the load of the lift car. A connection to the control system is effected using freely programmable alarm relays. As soon as the parameters for the output relays are entered via the built-in keys, the unit is ready for operation.

OVERLOAD CONTROL SYSTEM WEIGHTWATCHER LIGHT

Item No.	Description
68100456100	AE8 light standard
68100456102	AE8 light analogue
68100456105	AE8 light CANopen
68100456010	AE12 light standard
68100456012	AE12 light analogue
68100456015	AE12 light CANopen
68100456000	AE16 light
68100456002	AE16 light analogue
68100456005	AE16 light CANopen
68000456350	Donut load sensor RC 300 light
68000456355	Donut load sensor RC 500 light
68000456360	Donut load sensor RC 1000 light
68000456365	Donut load sensor RC 3500 light
68100456500	Rope load sensor LS light

ACCESSORIES

Item No.	Description
68000455020	Casing AE12/AE16/AE8
68000455006	Power supply for AE12/AE16/AE8
68045000114	Additional cable screwing in housing for AE12/AE16/AE8 light

OVERLOAD CONTROL SYSTEM WEIGHTWATCHER LIGHT MULTIROPE

For the development of the latest product of the Weight-Watcher Light series, the MultiRope measuring system, our development division could rely on the knowhow gathered over many years. Great store was set by the ease of installation and the request put forward by many customers to provide a reasonably priced but high-quality overload measuring system which meets the requirements of EN 81. The applications in the range of 4 to 26 mm rope diameters also meet the requirements. Measuring ranges of up to max. 10,000 kg (optional for Multi-Rope 300) allow a wide variety of applications.

HIGHLIGHTS: • Two types of sensor for 200 and 300 mm clamping widths • For 4 to 26 mm rope diameters • Measuring range up to 10,000 kg • 2 freely programmable output relays • Integrated evaluation unit

METHOD OF FUNCTION: Only a few minutes are needed to install the MultiRope sensors: The installation only requires the screws of the retaining strap to be loosened and the sensor to be put against the rope. The retaining strap is then closed again and the screws are tightened up until the rope is pressed against the sensor body. A specific tightening torque must not be applied. No special tools are required. Thanks to the integrated evaluation unit no additional cables are needed to connect the sensor and evaluation unit. The unit can be configured using three keys and the 4-digit LED display. The unit is connected to the control system by means of 2 freely programmable alarm relays. After the MultiRope sensor has been calibrated, the evaluation unit displays the lift car load. As soon as the parameters for the 3 output relays are entered using the built-in keys the unit is ready for operation.

OVERLOAD CONTROL SYSTEM WEIGHTWATCHER LIGHT MULTIROPE

Item No.	Description
68200456600	Multirope 200
68200456700	Multirope 300
68200456605	Multirope 200 CANopen
68200456705	Multirope 300 CANopen

OVERLOAD CONTROL SYSTEM WEIGHTWATCHER LIGHT BEAM

The WeightWatcher Beam 1200, 2200 and 5000 load sensors are therefore especially compact and handy facilitating the mounting in almost every installation siting. You won't have a problem shaft heads of little height.

HIGHLIGHTS: • very attractive price-performance ratio • simple mounting • three sensor type suits different loads • 2 programmable output relays • integrated evaluation unit • integrated suspension chain compensation and rope mass with multiple suspension

METHOD OF FUNCTION: The WeightWatcher Beam sensor are mounted within a few minutes: Due to integrated evaluation unit there is no need for additional wiring between sensor and evaluation unit. After calibrating the WeightWatcher Beam sensor, the evaluation unit indicates the load in the cabin. The unit is ready for operation after entering the parameters of the 2 output relays by the integrated buttons.



WeightWatcher Beam 1200

OVERLOAD CONTROL SYSTEM WEIGHTWATCHER LIGHT BEAM

Item No.	Description
68300456200	Weightwatcher Beam 1200
68300456225	Weightwatcher Beam 2200
68300456250	Weightwatcher Beam 5000
68300456205	Weightwatcher Beam 1200 CANopen
68300456230	Weightwatcher Beam 2200 CANopen
68300456255	Weightwatcher Beam 5000 CANopen

MOBILE ROPE LOAD MEASURING SYSTEM

Inadequately set ropes and excessive overall weights cause an undesired and premature wear. The Weight-Watcher rope load measuring system allows ropes / belts to be set and lift car and counterweight loads to be weighed in no time at all. The LSM Belt sensor especially developed for belts allows measurements to be carried out on 30 to 60mm wide belts.

The integrated rope setting assistant guides you through the rope setting procedure and records every measurement with a report that can later be printed out on the PC. This makes the mobile WeightWatcher an optimum tool for your service work. Apart from weighing the lift car and coun-

terweight loads, all single rope loads can be displayed and adjusted within a few minutes to their optimum settings using the integrated rope setting assistant. Optional extension possible with helpful features: graph storage allows measurement, storage and evaluation of weighing the lift car and counterweight loads, throughout car use there are shown counterweight load measurements in proportion between lift car and counter weight.

The variants with BlueTooth (using the available Android App) communicate with all Android smartphones and tablets and therefore permit a topical handling.



Mobile evaluation unit MSM 12 extended

MOBILE ROPE LOAD MEASURING SYSTEM WEIGHTWATCHER

Item No.	Description
68400455105	Mobile evaluation unit MSM 12 basic
68400455106	Mobile evaluation unit MSM 12 extended
68400455107	Mobile evaluation unit MSM 12 premium
68400455600	Mobile rope sensor LSM 1
68400455101	LSM 1 set incl. transport case
68400455700	Mobile rope sensor LSM 2
68400455201	LSM 2 set incl. transport case
68400455620	LSM connection cable extension up to 20m
68400455351	Mobile rope sensor LSM XL
68400455301	LSM XL set incl. transport case
68400455353	Spare cable up to 1,5m (further extensions upon request)
68400455815	LSM Belt Set OTIS
68400455805	Mobile rope sensor LSM belt OTIS
68400455816	LSM belt set Schindler
68400455806	Mobile rope sensor LSM belt Schindler

ACCESSORIES

Item No.	Description
68400455155	Curve storage (optional software for MSM 12)
68400455160	Counterweight compensation measurement (optional software for MSM 12)
68400455096	USB charging adapter for MSM 12
68400455097	Qi-Charging station for MSM 12
68400455099	Protective bag for MSM 12



LSM1 set



LSM XL set incl. transport case

HANDRAIL SYSTEMS

Straight Handrails with Brackets	135
Straight Handrails from Wall to Wall	136
Curved Handrails with Brackets	137

STRAIGHT HANDRAILS WITH BRACKETS

Installing handrails is usually one of the simplest jobs for an experienced lift installer. When, however, the conditions on site only allow installation from within the cabin, the job rapidly becomes a challenge. This, for example, is the case with modernization of modularly constructed lift cabins or with small shafts that are difficult to access. A misaligned hole or lack of reinforcement on the cabin wall is all it takes to turn an otherwise simple installation into a real problem.

Our innovative mounting system for handrails in lift cabins combines the advantages of a simply install-label and removable mounting system. Our system is integrated directly into the handrail. The handrails are produced under stringent quality controls by BeLi GmbH in Germany. Manufactured using just-in-time techniques, the handrails and components can be supplied on short lead times.

YOUR BENEFITS WHEN INSTALLING HANDRAILS IN LIFTS:

- Space problems solved: Handrails with e-li are installed from inside the cabin – without the need for any tools.
- Strong spine: With the e-li reinforcement solution, handrails are installed simply, rigidly and quickly – even on unreinforced cabin walls.
- Irregularities allowed: Hole misalignment and length compensation of up to 10 mm can be corrected during installation.
- Design your way: stainless steel or wood or straight or curved, handrails with e-li fit to your preferred design.
- Fast and flexible: Individual handrail components are available from stock.
- Broad product range: The product range includes straight, curved, two and three-sided handrails as well as special solutions.
- Quality made in Germany: e-li handrails are manufactured in Germany to top quality standards by the family-run BeLi GmbH.



Item No.	Description
690121103000	Straight handrails with e-li Ø 30 mm 0-500 mm und 2 brackets
690120103000	Straight handrails with e-li Ø 30 mm 501-1,000 mm und 2 brackets
690134103000	Straight handrails with e-li Ø 30 mm 1,001-1,500 mm und 2 brackets
690133103000	Straight handrails with e-li Ø 30 mm 1,501-2,000 mm und 3 brackets
690146103000	Straight handrails with e-li Ø 30 mm 2,001-2,500 mm und 3 brackets
690139103000	Straight handrails with e-li Ø 30 mm 1,501-2,000 mm und 4 brackets
690147103000	Straight handrails with e-li Ø 30 mm 2,001-2,500 mm und 4 brackets
690221103500	Straight handrails with e-li Ø 35 mm 0-500 mm und 2 brackets
690220103500	Straight handrails with e-li Ø 35 mm 501-1,000 mm und 2 brackets
690234103500	Straight handrails with e-li Ø 35 mm 1,001-1,500 mm und 2 brackets
690233103500	Straight handrails with e-li Ø 35 mm 1,501-2,000 mm und 3 brackets
690246103500	Straight handrails with e-li Ø 35 mm 2,001-2,500 mm und 3 brackets
690239103500	Straight handrails with e-li Ø 35 mm 1,501-2,000 mm und 4 brackets
690247103500	Straight handrails with e-li Ø 35 mm 2,001-2,500 mm und 4 brackets
690221103800	Straight handrails with e-li Ø 38 mm 0-500 mm und 2 brackets
690220103800	Straight handrails with e-li Ø 38 mm 501-1,000 mm und 2 brackets
690234103800	Straight handrails with e-li Ø 38 mm 1,001-1,500 mm und 2 brackets
690233103800	Straight handrails with e-li Ø 38 mm 1,501-2,000 mm und 3 brackets
690246103800	Straight handrails with e-li Ø 38 mm 2,001-2,500 mm und 3 brackets
690239103800	Straight handrails with e-li Ø 38 mm 1,501-2,000 mm und 4 brackets
690247103800	Straight handrails with e-li Ø 38 mm 2,001-2,500 mm und 4 brackets
690221104000	Straight handrails with e-li Ø 40 mm 0-500 mm und 2 brackets
690220104000	Straight handrails with e-li Ø 40 mm 501-1,000 mm und 2 brackets
690234104000	Straight handrails with e-li Ø 40 mm 1,001-1,500 mm und 2 brackets
690233104000	Straight handrails with e-li Ø 40 mm 1,501-2,000 mm und 3 brackets
690246104000	Straight handrails with e-li Ø 40 mm 2,001-2,500 mm und 3 brackets
690239104000	Straight handrails with e-li Ø 40 mm 1,501-2,000 mm und 4 brackets
690247104000	Straight handrails with e-li Ø 40 mm 2,001-2,500 mm und 4 brackets

ACCESSORIES

Item No.	Description
690600621100	Installation tool
690600861000	Strong spine S-form
690600861001	Strong spine C-form
690600881100	Rosette Ø 57,5x5 mm



STRAIGHT HANDRAILS FROM WALL TO WALL

Installing handrails is usually one of the simplest jobs for an experienced lift installer. When, however, the conditions on site only allow installation from within the cabin, the job rapidly becomes a challenge. This, for example, is the case with modernization of modularly constructed lift cabins or with small shafts that are difficult to access. A misaligned hole or lack of reinforcement on the cabin wall is all it takes to turn an otherwise simple installation into a real problem.

Our innovative mounting system for handrails in lift cabins combines the advantages of a simply installable and removable mounting system. Our system is integrated directly into the handrail. The handrails are produced under stringent quality controls by BeLi GmbH in Germany. Manufactured using just-in-time techniques, the handrails and components can be supplied on short lead times.

YOUR BENEFITS WHEN INSTALLING HANDRAILS IN LIFTS:

- Space problems solved: Handrails with e-li are installed from inside the cabin – without the need for any tools.
- Strong spine: With the e-li reinforcement solution, handrails are installed simply, rigidly and quickly – even on unreinforced cabin walls.
- Irregularities allowed: Hole misalignment and length compensation of up to 10mm can be corrected during installation.
- Design your way: stainless steel or wood, straight or curved, handrails with e-li fit to your preferred design.
- Fast and flexible: Individual handrail components are available from stock.
- Broad product range: The product range includes straight, curved, two and three-sided handrails as well as special solutions.
- Quality made in Germany: e-li handrails are manufactured in Germany to top quality standards by the family-run BeLi GmbH.

Item No.	Description
690300891030	Straight handrails with e-li snail fitting Ø 30 mm 0-1,000 mm
690300901030	Straight handrails with e-li snail fitting Ø 30 mm 1,001-2,000 mm and 1 bracket
690300891040	Straight handrails with e-li snail fitting Ø 40 mm 0-1,000 mm
690300901040	Straight handrails with e-li snail fitting Ø 40 mm 1,001-2,000 mm and 1 bracket

ACCESSORIES

Item No.	Description
690600621100	Installation tool
690600861000	Strong spine S-form
690600861001	Strong spine C-form
690600881100	Rosette Ø57,5x5 mm

CURVED HANDRAILS WITH BRACKETS

Installing handrails is usually one of the simplest jobs for an experienced lift installer. When, however, the conditions on site only allow installation from within the cabin, the job rapidly becomes a challenge. This, for example, is the case with modernization of modularly constructed lift cabins or with small shafts that are difficult to access. A misaligned hole or lack of reinforcement on the cabin wall is all it takes to turn an otherwise simple installation into a real problem.

Our innovative mounting system for handrails in lift cabins combines the advantages of a simply install-label and removable mounting system. Our system is integrated directly into the handrail. The handrails are produced under stringent quality controls by BeLi GmbH in Germany. Manufactured using just-in-time techniques, the handrails and components can be supplied on short lead times.

YOUR BENEFITS WHEN INSTALLING HANDRAILS IN LIFTS:

- Space problems solved: Handrails with e-li are installed from inside the cabin – without the need for any tools.
- Strong spine: With the e-li reinforcement solution, handrails are installed simply, rigidly and quickly – even on unreinforced cabin walls.
- Irregularities allowed: Hole misalignment and length compensation of up to 10 mm can be corrected during installation.
- Design your way: stainless steel or wood, straight or curved, handrails with e-li fit to your preferred design.
- Fast and flexible: Individual handrail components are available from stock.
- Broad product range: The product range includes straight, curved, two and three-sided handrails as well as special solutions.
- Quality made in Germany: e-li handrails are manufactured in Germany to top quality standards by the family-run BeLi GmbH.



Item No.	Description
690400831000	Curved handrails with e-li corner fitting Ø 40 mm 0-500 mm and 2 brackets
690400791000	Curved handrails with e-li corner fitting Ø 40 mm 501-1,000 mm and 2 brackets
690400801000	Curved handrails with e-li corner fitting Ø 40 mm 1,001-1,500 mm and 3 brackets
690400811000	Curved handrails with e-li corner fitting Ø 40 mm 1,501-2,000 mm and 3 brackets
690400821000	Curved handrails with e-li corner fitting Ø 40 mm 2,001-2,500 mm and 4 brackets
690500761000	Curved handrails with e-li Ø 40 mm 0-1,000 mm and 2 brackets
690500661000	Curved handrails with e-li Ø 40 mm 1,001-1,500 mm and 2 brackets
690500681000	Curved handrails with e-li Ø 40 mm 1,501-2,000 mm and 3 brackets
690500541000	Curved handrails with e-li Ø 40 mm 2,001-2,500 mm and 4 brackets

ACCESSORIES

Item No.	Description
690600621100	Installation tool
690600861000	Strong spine S-form
690600861001	Strong spine C-form
690600881100	Rosette Ø 57,5x5 mm

SIGNS, LABELS, WARNING NOTICES

Signs, Labels, Warning Notices	139
Safe Space Mats	140

SIGNS, LABELS, WARNING NOTICES

Our warning signs are generally executed in black on a signal yellow background and are permanently protected and sealed by a sturdy laminated foil. Option-

ally, the signs may be single or double-sided, self-adhesive or supplemented with cable ties.

Item No.	Description	Dimensions [mm]
050999003	Information label – Do not use elevator in case of fire	148x52
050999006	Information label – Do not attach loads	210x145
050999024	Information label for elevators in maintenance	150x215
050999025	Information label – No fastening	145x210
050999031	Information label with warning sign for safe space height 0.5 m (1 person lying)	145x210
050999032	Information label with warning sign for safe space height 0.5 m (2 persons lying)	145x210
050999041	Information label with warning sign for safe space height 1.0 m (1 person crouching)	145x210
050999042	Information label with warning sign for safe space height 1.0 m (2 persons crouching)	145x210
050999051	Information label with warning sign for safe space height 2.0 m (1 person upright)	145x210
050999052	Information label with warning sign for safe space height 2.0 m (2 persons upright)	145x210
050999059	Information label with warning sign for reduced shaft head	150x215
050999060	Information label with warning sign for reduced shaft head	215x305
050999064	Information label with warning sign for reduced shaft pit	150x215
050999065	Information label with warning sign for reduced shaft pit	215x305





SAFE SPACE MATS

Safe space mats for top of the lift car roofs and pits according to EN 81-20. The mats are fabricated out of robust synthetic material with a slip resistant surface compliant with DIN 51130. The three available sizes meet the requirements of EN 81-20 and reflect

the safe space in a laying, crouching and upright position. Supplied without fixing material.

Available in three sizes for 0.5m, 1.0m and 2.0m safe spaces.



Item No.	Description	Safe Space Height
050999019	Safe space mat for one person (upright position)	2,0m
050999020	Safe space mat for one person (crouching position)	1,0m
050999021	Safe space mat for one person (lying position)	0,5m

SAFE SPACE MATS BY STINGL

- EN 81-20 – compliant safe space mats for lift car roofs (5.2.5.7) and pits (5.2.5.8)
- slip resistant according to DIN 51130
- three sizes available:
 - safe space mat for safe space 0,5 m (1 person lying position)
 - safe space mat for safe space 1,0 m (1 person crouching position)
 - safe space mat for safe space 2,0 m (1 person upright position)



The white and black stripes as frames define the area measure of the shelter signaling!



FOR FURTHER INFORMATION GIVE US A CALL OR E-MAIL US:
PHONE: 07134 13797-13 • E-MAIL: EXPORT@STINGLONLINE.DE

HYGIENE

UVC Ventilation for elevator cabins	143
Panel / Push Button Cover	144
Sticker Hygiene	144
Disinfection Station	144



UVC VENTILATION FOR ELEVATOR CABINS

There are different transmission routes for viruses and bacteria in elevator cabins. On the one hand via direct contact with infected surfaces, on the other hand via aerosols in the air to which viruses can attach. There are now also various air purification systems that fight viruses and bacteria with filters, bipolar ionization or UV radiation.

Various scientific studies clearly show that elevators can be a source of infection. Above all, elevator buttons are the most common location for viruses. In addition to the dangerous Covid-19 virus, there are also influenza viruses, norovirus and rhinovirus or viruses that can also cause streptococci.

For an effective and sustainable hygiene concept, the disinfection of air and surfaces must therefore be considered. Manual disinfection requires a high level of personnel effort, which is associated with high costs. Effective and cost-effective innovations are required to meet hygiene requirements. A real alternative is disinfection through the use of UV-C cleaners or through the principle of air ionization. The Pro Tech Air module is a universal solution for effective air disinfection in elevator cabins where crowding and physical contact cannot be avoided. The closed housing of the module offers privacy protection from UVC radiation and ensures effective air disinfection.



Item No.	Description
022999011	Pro Tech Air UVC ventilation device



PANEL / PUSH BUTTON COVER

We are offering a product that is of great benefit to all hospitals and buildings that require a high level of hygiene.

These hygienic covers were designed in such a way that they allow easy cleaning of the buttons and panels inside an elevator and the external push buttons. They can be easily attached with self-adhesive Velcro strips and offer hospitals immediate hygiene control relief.

The product is available in standard sizes that can cover a large number of different push buttons and panels.

The hygiene covers are made from 0.5 mm thick, flame-retardant and clear PVC. The sewn edges are made of a water-repellent and also flame-retardant polyester fabric. Self-adhesive Velcro tape is included in the shipment for easy attachment e.g. at the cabin walls.

SPECIAL SIZES ARE AVAILABLE UPON REQUEST!

Item No.	Description	Dimensions [cm]
1002999230	Landing push station (LOP) hygiene cover	14x24
1002999231	Landing push station (LOP) hygiene cover	60x40
1002999232	Landing push station (LOP) hygiene cover	80x40



STICKER HYGIENE

Information sticker, PVC film, multicolored, for indoor use, 131 x 185 mm

Item No.	Description	Dimensions [cm]
050999200	Sticker - Bitte Abstand halten!	131x185

DISINFECTION STATION

Column made of anodized aluminum, base and memo board made of steel

Item No.	Description
1000999066	Disinfektions station
1000999067	Disinfektions station with dip tray





MISCELLANEOUS

Anchor Plate for Steel Shaft Constructions	147	Trolley With Quick Fold System	151
Distance-Between-Guides Pointer	147	Telescopic Rod	151
Aluminium Box	147	Anchoring Device for Use in Existing Shafts	151
Plumb Wire	148	Sheet Metal for Floors	152
Key Box	148	Sill Angle	152
Key Safe	149	Small Tools for Fitters	153
Sliding Plates for Guide Rails	150	Folding Tripod Chair	153
		Fixed Pit Prop for Lift Cars	154
		VG Rope Brake – Complies with DIN EN 81-A3	155

ANCHOR PLATE FOR STEEL SHAFT CONSTRUCTIONS

The anchor plate is used in lift shafts made of steel, for example. Four anchor plates are embedded in poured concrete flush with the shaft floor. The long dimensioned anchors give good connection with the concrete and reinforcement where installed.

Additional reinforcement in the concrete might be necessary. In case of doubt a skilled firm has to be consulted to define sufficient reinforcements for structural parts! When in place, scaffolding and shaft constructions can be welded on. Custom adaptations to the plate or the anchor lengths are available on request.

Item No.	Description
30001000001	Anchor plate for steel shaft constructions, customised

Example: Steel, rolled, black, plate 200x200x15mm, Nelson-anchor length 275mm, anchor diameter 22mm

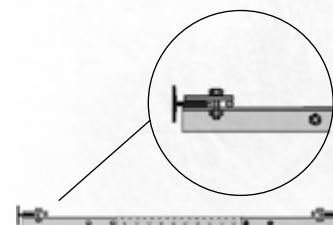


DISTANCE-BETWEEN-GUIDES POINTER

Telescopic pointer for the measuring of the distance between guides (dbg) from 700 to 1.200 mm or 1.000 to 1.500mm (50mm steps).

The pointer can be used with guide strengths ranging from 9 mm to 16 mm.

Item No.	Description
02306070001	Distance-between-guides pointer, 700–1.200 mm, adjustable interval for guide rails from 9 to 16 mm
02306100001	Distance-between-guides pointer, 1.000–1.500 mm, adjustable interval for guide rails from 9 to 16 mm



Details: galvanised steel, packing measures 800x100x50 mm, 1.100x100x50 mm resp.; weight ca. 7,5kg, 8,5kg resp.

ALUMINIUM BOX

Aluminum box for your valuable tools and lifting devices, etc. Indispensable for safe packing, storage, and transportation.

Optimal protection of transported items is achieved even under rough conditions and on long journeys.

TECHNICAL FEATURES: • lid seal • reinforced edge profile • dustproof and splashproof • stackable • one-piece stainless steel joint band • lockable flap closures • side spring handles with synthetic coating

INTERIOR MEASURES (EXAMPLE): (LxWxH)
750x550x580 mm

EXTERIOR MEASURES (EXAMPLE): (LxWxH)
800x600x610 mm

WEIGHT: Dependent on box size

ADDITIONAL SIZES UPON REQUEST!



PLUMB WIRE

Item No.	Description	Ø	Reel
1000999018	Plumb wire	1,0 mm	500 m

KEY BOX

TR 810: Key box for screw mounting • 3 mm stainless steel, matt-brushed, Dimensions: 110x80x55 mm • Prepared for PZ half-cylinder • Two key hooks, incl. fastening screw for cylinder

TR 855: Steel key box prepared for PZ half-cylinder & Reed monitoring contact with key hook and card depot • Dimensions: approx. 134x66x48 mm • Material: steel • Colour: coated in black

Item No.	Description
0897048281000	Key box TR 810 stainless steel
0897048285500	Key box TR 855 steel for PZ half-cylinder



TR810: Key box stainless steel



TR855: Key box steel

KEY SAFE

BASIC MODEL DESCRIPTION: Plastic cover cap, prepared PZ half-cylinder, key tray inside

MOUNTING: 3 mounting options • Conventional mounting with adhesive (not included) • Mounting with threaded rod and counterplate on the inside • Thanks to the use of a hollow threaded rod, continued use of a solenoid switch is possible!

POSSIBLE APPLICATIONS: Use as a key depot for companies in the following sectors • Telecom-

munications, energy providers, security companies • Facility management, lift companies, car sharing, home care, supply • Transport and delivery companies, grocery chains • Banks, fire brigades, rentals, etc. • Also suitable for private use, to deposit smaller valuables, such as jewellery or cash • For use by fire brigades, we offer a special, conspicuous red plastic closure with an engraved "F"!

Can also be configured according to customer specifications.

Item No.	Description
0897048277100	Key safe TR771 with wall anchor
0897048278101	Key safe TR781 without wall anchor
0897048278102	Key safe TR781-W weather small
0897048278103	Key safe TR781-XL extra long
0897048279100	Key safe TR791 without wall anchor



TR 700: Key safe, basic model



TR 771: Key safe, small, with wall anchor and covering collar



TR 791: Key safe, large, with covering collar



TR 781: Key safe small, with covering collar



TR 781 W: Key safe small, with round stainless-steel cover

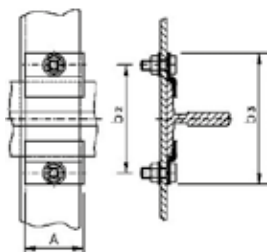
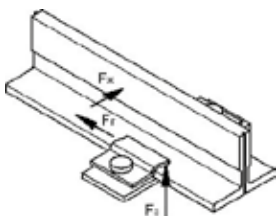
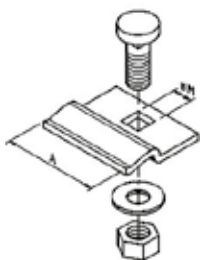
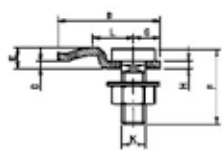


TR 781 XL: Key safe extra-long (350mm)



TR870: numeric combination lock with 4 digits

Version	Material	Closure	External dimensions	Internal dimensions	Cover
TR 700	Steel	Steel-hardened	approx. 143 mm x Ø 50 mm	approx. 64 mm x Ø 34 mm	Plastic
TR 771	Aluminium	Stainless steel	approx. 145 mm x Ø 47 mm	approx. 75 mm x Ø 36 mm	
TR 781	Aluminium	Stainless steel	approx. 145 mm x Ø 47 mm	approx. 100 mm x Ø 36 mm	
TR 781-W	Aluminium	Stainless steel	approx. 143 mm x Ø 50 mm	approx. 90 mm x Ø 40 mm	Stainless steel
TR 781-XL	Aluminium	Stainless steel	approx. 350 mm x Ø 50 mm	approx. 300 mm x Ø 35 mm	
TR 791	Aluminium	Stainless steel	approx. 150 mm x Ø 75 mm	approx. 105 mm x Ø 58 mm	Stainless steel
TR 870	Stainless steel	Stainless steel	approx. 147 mm x 54 mm	approx. 105 mm x 48 mm	Stainless steel



SLIDING PLATES FOR GUIDE RAILS

Type	A	B	D	E	F	G	H
K	L	M					
SL-1	40	33,5	2	7	23	11	2
M8	9	8,5					
SL-2	70	45	3,5	7	28	13	
2,5	M10	12	10,5				
SL-3	60	53	4	11	39	14	4
M12	18	12,5					
SL-4	65	52	7	13	45	13	4
M14	20	14,5					
SL-5	75	70	9	15	50	22,5	5
M16	20	16					

Type	Fa (kg)	Fr (kg)
SL-1	49	10
SL-2	107	21
SL-3	196	39
SL-4	191	38
SL-5	344	69

Guide Rail Profile	Sliding Plate	b2	b3	A
T 45/A	SL-1	63	85	40
T 50/A	SL-1	68	90	40
T 65/A	SL-1	83	105	40
T 70-1/A	SL-2	94	120	70
T 82/A/B	SL-2	106	132	70
T 70-2/A	SL-3	106	134	60
T 70/70-9/A	SL-3	106	134	60
T 75-3/A/B	SL-3	111	139	60
T 78/B	SL-3	114	142	60
T 80-80-9/A	SL-4	120	146	65
T 89/A-B	SL-4	129	155	65
T 90/A-B	SL-4	130	156	65
T 114/B	SL-4	154	180	65
T 125/B	SL-5	165	210	75
T 127-1/B	SL-4	167	193	65
T 127-2/B	SL-5	167	212	75
T 140-1/B	SL-5	180	225	75
T 140-2/B	SL-5	180	225	75

Item No.	Description
095999001	Sliding plate, type SL-1 for guide rails T45/A, T50/A, T65/A
095999002	Sliding plate, type SL-2 for guide rails T70-1/A, T82/A/B
095999003	Sliding plate, type SL-3 for guide rails T70-2/A, T70-70-9/A, T75-3/A/B, T78/B
095999004	Sliding plate, type SL-4 for guide rails T80-80-9/A, T89/A-B, T90/A/B, T114/B, T127-1/B
095999005	Sliding plate, type SL-5 for guide rails T127-2/B, T140-1/B, T140-2/B, T125/B
095999006	Clamping bolt, type L 11,5/A for guide rail profile 45x45x5

TROLLEY WITH QUICK FOLD SYSTEM

Suitable for transporting tools and spare parts to wherever they are needed. The trolley makes it easier to use lifts which aren't that easy to access, such as you might find in pedestrianised areas or large shopping centres. It also takes the strain off your back.

FEATURES: • height infinitely adjustable between 810 and 1,100 mm to suit your size • compact dimensions suitable for transport even in small vans • large profile wheels make the trolley suitable for outdoor use • rounded bars – suitable for transporting round objects • stable bars make it easier to tilt heavy loads • handle rounded for comfort • can be fixed in place at three points with a strap • can handle loads of up to 100 kg

Item No.	Description
0070962330624	Trolley



TELESCOPIC ROD

Telescopic rod for the opening of overhead hatches, shutters etc.

FEATURES: • Telescopic interval from 420 bis 640 mm (other lengths upon request) • Moderate packing measures • Made of light-weight glass reinforced polyester

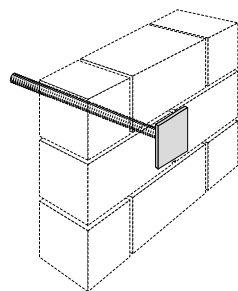
UPON REQUEST!



ANCHORING DEVICE FOR USE IN EXISTING SHAFTS

Anchoring devices can be used in existing concrete or brick shafts for the (supplementary) installation of guide rails, anchor channels, lift doors and scaffolding equipment (e.g. universal stage shoes). Each anchoring device comes with a washer and a nut.

The anchoring device can be used for different wall strengths. The threaded bar is available in M12 and M16.



Details: Threaded bar e.g. M16 x 330 mm, galvanized, welded with flat steel 80x80x6 mm, galvanized.



Description	Item No. length 330 mm	Item No. length 400 mm	Item No. length 500 mm	Item No. length 1.000 mm
M12	00912033000	00912040000	00912050000	00912100000
M16	00916033000	00916040000	00916050000	00916100000



SHEET METAL FOR FLOORS

MATERIAL: Band 0,70 / 333 k-coil, 30mtrs, galvanized • Sheet thickness: 0,7 mm • Width: 333 mm • Weight: 50,5kg

cut and bend in suitable pieces subject to the given lift door measures.

FEATURES: The steel band is meant for preparation of lift door thresholds in new buildings. It can be

The sheet metal can only be delivered in coils of 30mtrs.

Item No.	Description
100099015	TZ Band 0,70 / 333 k-Coil, zinc, length: 30,3 m - weight: 50,5 kg

SILL ANGLE

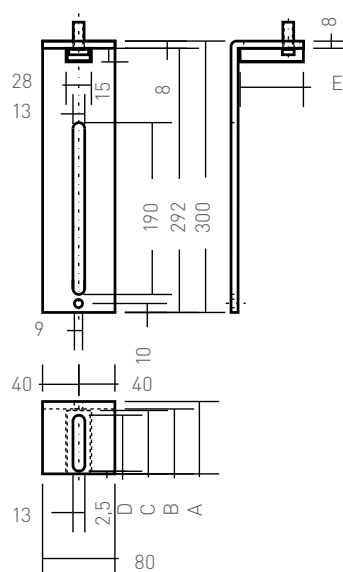
Sill angle for fixation of telescopic or centrally opening lift doors.

Made of primed steel, comes with t-head bolts, washers, toothed washers and nuts.



	Telescopic Door, Type 1	Centrally Opening Door, Type 2
A	108	80
B	100	72
C	98	70
D	90	62
E	98	70

All dimensions in mm



Item No.	Description
0120100001	Sill angle type 1 for telescopic door and anchor channel 40/22
0120100005	Sill angle type 1 for telescopic door and anchor channel 50/30
0120100002	Sill angle type 1 without welded anchor channel
0120200001	Sill angle type 2 for centrally opening door and anchor channel 40/22
0120200003	Sill angle type 2 for centrally opening door and anchor channel 50/30
012999001	Console 300x208x80mm

ACCESSORIES

0120300001	Fixing material for sill angle and anchor channel 40/22
0120300002	Fixing material for lintel and anchor channel 40/22
0120300003	Fixing material for sill angle and anchor channel 50/30
0120300004	Fixing material for lintel and anchor channel 50/30

SMALL TOOLS FOR FITTERS

TRIANGULAR KEY:

Made of steel, galvanised, can be used for all established elevator doors • Length: 90 mm

TRIANGULAR KEY 1

Item No.	Description
007999041	Triangular key 10 mm
007999045	Triangular key 8 mm
007999046	Triangular key 5 mm
007999047	Triangular key 6 mm



EMERGENCY RELEASE KEY M5:

Triangular • without safety label

EMERGENCY RELEASE KEY M5 2

Art.-Nr.	Bezeichnung
91009008001	Triangular key C80
91009016001	Triangular key C160
91009032001	Triangular key C320
91009064001	Triangular key C640

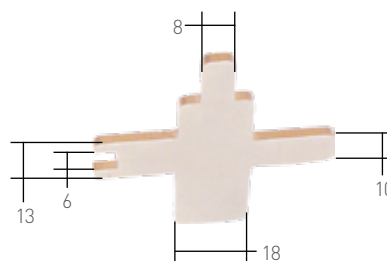


SQUARE KEY:

Made of steel, galvanised, can be used for all established elevator doors • Length: 90 mm • Internal dimension of the square: 8 mm.

SQUARE KEY

Item No.	Description
007999036	Square key 8 mm



DOORSTOP:

Made of steel, galvanised, can be used for all established grooves on automatic doors

- Material thickness: 3 mm
- Customer logo imprint upon request



DOORSTOP 3

Item No.	Description
1000999034	Doorstop for automatic doors

FOLDING TRIPOD CHAIR

DETAILS: black/silver aluminium • there are three versions of the WALKSTOOL folding chair: 1. seat height: 45/28 cm (extended/retracted), 2. seat height 55/33 cm (extended/retracted), 3. seat height 65/37 cm (extended/retracted) • weighs less than 700 g • internal dimensions: (LxWxH) 750x550x580 mm.

FEATURES: The WALKSTOOL folding chair lets you work in a seated rather than a squatted position, protecting your knees, back and joints. The chair can be set to two different heights, depending on what you are using it for.

The WALKSTOOL comes with a bag. The tripod chair's compact dimensions mean you can easily carry it on your waistband.

Item No.	Description
1000999017	Folding tripod chair, seat height 45 cm
1000999019	Folding tripod chair, seat height 55 cm
1000999020	Folding tripod chair, seat height 65 cm

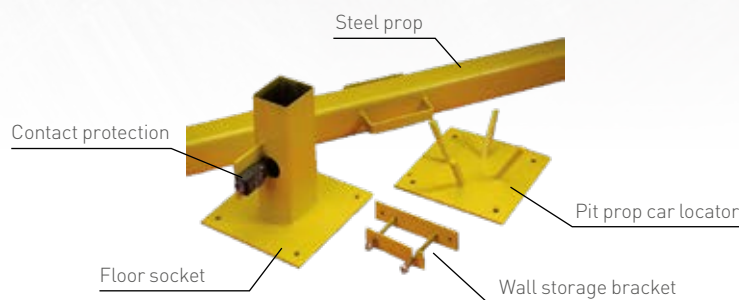


FIXED PIT PROP FOR LIFT CARS

DETAILS: • steel, yellow prime • Prop cross cut: 80x80mm • Prop ends closed (welded) • Both handles centrally located on the prop • Safe working load 3,000kg • Kit consists of 2.50 m fixed yellow pit prop, floor socket as well as wall storage bracket • Total weight approx. 26 kg

Alternatively available with contact protected floor socket.

An optional prop car locator can be delivered upon request.



Item No.	Description
081999003	Fixed pit prop for lift cars
081999004	Fixed pit prop for lift cars incl. contact protection

ACCESSORIES

Item No.	Description
081999005	Pit prop car locator

SPARE PARTS

Item No.	Description
081999006	Floor socket for pit props with contact protection
081999007	Wall storage bracket for steel support
081999008	Steel support
081999009	Switch kit for steel support

VG ROPE BRAKE – COMPLIES WITH DIN EN 81-A3

The VG rope brake can be operated in bidirectional mode. The brake is attached directly to the lift ropes and acts as an 'overspeed protection means' or 'speed reducing element' in the sense of Section 9.10 of EN 81-1 1998.

The VG rope brake combines the tried and tested technology of the "brake shoe" principle with the patented VG connection mechanism.

The brake shoe has two torsion springs, but is kept apart from the lift ropes by a DC electromagnet. The brake shoe is triggered by a speed regulator or a device for detecting uncontrolled movements. Using the VG rope brake in bidirectional mode meets all of the requirements in Clause 9.10 of DIN EN81-1 1998, Clause 5.9.4 of BS DIN EN81-80:2003 and Item 53 of the same standard related to significant dangers.

HOW IT WORKS: When the brake tongue is triggered, the lift rope is clamped between the mobile and the fixed tongue. The subsequent movements of the lift rope ensure that the brake tongue kicks in fully and generates the braking force. The contact pressure on the rope is kept to a minimum to prevent damage to the lift ropes. The brake includes a safety contact, which is incorporated into the safety circuit of the lift control system. The lift can only be put back into operation once the brake has been inspected and reset. The brake is loosened or reset by manually raising the lift cabin and turning the installed handle. If the lift cabin cannot be raised manually, the brake tongue can be released by unscrewing the four external M12x25 hexagonal screws which hold the mobile tongue to the side panels of the structure. Tighten the bolts again after resetting the brake.

INSTALLATION OF THE VG ROPE BRAKE:

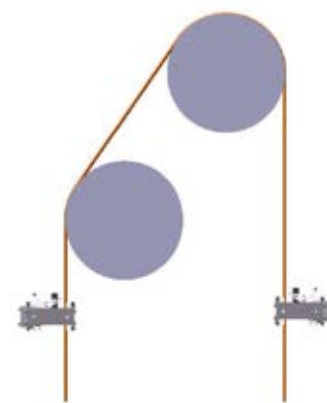
The VG rope brake is installed with supports which make it possible to align the brake and make fine adjustments to it. It can be positioned parallel or at right angles to the lift ropes. The supports must be capable of withstanding the breaking force calculated by the application program with an appropriate safety buffer.

We recommend fitting the VG rope brake close to the sheave or the deflection pulley(s).

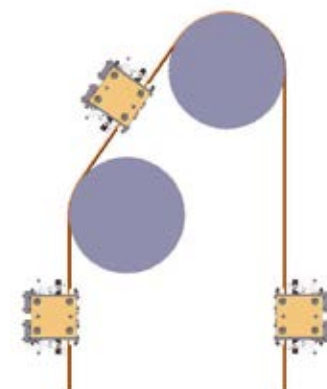
A bidirectional device can be fitted between the traction pulley and the deflection pulley as long as there is enough space between them. The minimum distance between the axle line of the pulley and the top of the rope brake tongue is 400 mm, with a maximum clearance of 1 mm. If the distance to the pulley is increased, the clearance can be increased to a maximum of 5 mm.

A bidirectional device can also be fitted on the car or the counterweight rope. Individual "downwards" brakes can also be fixed to the car and counterweight ropes (see illustration to the right).

The dimensions of the VG rope brake are determined on the basis of a groove and friction formula in accordance with DIN EN81 in order to calculate static and dynamic forces. The formulas are based on information about the rope speed and the groove profile of the brake tongues that grip the rope. Determining the necessary brake forces and therefore the right rope brake involves looking at a wide range of parameters. The parameters are used to define a suitable tongue shape and spring stack on a case by case base.



The unidirectional device comprises a brake for downwards motion



The bidirectional device comprises a brake for upwards motion and another for downwards motion.

Item No.	Description
018001000	VG Rope brake unidirectional with customised jaws, mounting brackets and RB2 control box, incl. 5 m feeding cable
018001010	VG rope brake bidirectional with customised jaws and mounting brackets, uncontrolled movement detector SRB01 and sensor incl. 5 m feeding cable

ACCESSORIES

Item No.	Description
018001020	Overspeed governor for rope brake

INDEX - ALPHABETIC ORDER

1, 2, 3, ...		G		M	
1-Sided Cabin Guard Rails	65	Guide Rail Lubricators	109	Machine Room Station	101
3-Part Telescopic Apron	58	H		Magnet Holder Kits for Guide Rails	102
3-Sided Fixed Car Guard Rails	65	HALFEN DYNAGRIP Anchor Channels	23	Main Switch	100
3-Sided Telescopic Guard Rails	66	Handrail Protection	115	Miscellaneous	101
A		HLX Lift-Box	17	Mobile Rope Load Measuring System	133
Aluminium Box	147	Holder for Hand Wheels	69	Mounting Bracket for Shaft Barriers U-Shape	27
Anchorage Points for Loads	68	Housing for Governor	60	Mounting Bracket for Shaft Barriers Z-Shape	27
Anchorage Points for Welding	68	Housing for Governor Tensioning- Weight Pulley	63	Multileaf Damper JK-165	75
Anchor Channels Profile HTA 40/22 Plus	21	I		O	
Anchor channels Profile HTA 50/30 Plus	22	Inspection Box	100	Oil Collecting Reservoirs	109
Anchor channels Profile HTA 55/42	22	K		One-Sided Cabin Guard Rails	65
Anchoring Device for Use in Existing Shafts	151	Key Box	148	Optical Smoke Detector	74
Anchor Plate for Steel Shaft Constructions	147	Key Safe	149	Overload Control System	131
Anchor Point	11	L		Overload Control System WeightWatcher Light	132
B		LED Cabin Ceiling According to Customer Specification	90	Overload Control System WeightWatcher Light Beam	133
Base-Lift-Kit	73	LED Emergency Lamp	85	Overload Control System WeightWatcher Light MultiRope	132
Bolted-Type Anchorage Points	67	LED Emergency Light EN81-20	93	P	
C		LED Emergency Power Control with Cabin Light Shut-Off	87	Panel / Push Button Cover	144
Counterweight Protection for Attachment to Guide Rails	61	LED Flexible SMD*-Lightbars	86	Pit Control Unit	100
Counterweight Protection for Attachment To The Wall	61	LED Housing Inples	84	Pit Ladder Type A	44
Curved Handrails with Brackets	137	LED Kits INPLES	81	Pit Ladder Type B	45
D		LED Luminous Panel	90	Pit Ladder Type D	46
Data Sign for Load Points	12	LED Shaft Lighting Pre-Configured	94	Pit Ladder Type E	47
Deflection Roller Protection for Inclined Cable Outlet	60	LED Shaft Lighting With Plug-Screw Connection	93	Pit Ladder Type E1	48
Determining the Norm-Compliant Ladder Length	43	LED Shaft Lighting Pre-Configured incl. Emergency Unit	94	Pit Ladder Type F	49
Disinfection Station	144	LED Slim Panels	89	Pit Ladder Type J	50
Distance-Between-Guides Pointer	147	LED-Spots INPLES Moonlight	82	Pit Ladder Type S	51
Double Sided Step Ladder	53	LED-Spots Vandal-Resistant	86	Plug-In Scaffolding Shoe	35
Dual Purpose Ladder Type M	54	LED Strip LPS	88	Plug Ladder	53
E		Lift Buffers DIN EN 81-1/-2 compliant	105	Plumb Wire	148
Elevator Light Curtain B	71	Lift Buffers DIN EN 81-20/-50 compliant	106	Pre-Assembled Load Anchor	11
Elevator Light Curtain SIX230	71	Lift Buffers DIN EN 81-20/-50 compliant	107	Protective Drapes for Lift Cars	77
Elevator Lubrication	111	Lifting Loop	10	R	
Emergency Call Button	99	Lifting Loop LSF for Insertion Into Formwork	14	Railing Clamps	31
Emergency Phone Elseco	126	Lifting Loop LSG for Through-Type Mounting	15	Ram protection strips	78
Emergency Stop Switch	101	Lifting Loop LSP for Dowel Mounting	16	Reengineered Drives	129
ENQT Netztester LTE	126	Lifting Loop LSV for Recessed Installation	16		
Escalator Protection	115	Lift-Tronic FS01	73		
F		Light-Weight Multi-Purpose Barriers	30		
Finger Protection for Sheaves And Pulleys	59	Limit Switch	99		
Fixed Pit Prop for Lift Cars	154	Load Eye for the Temporary Attachment of Loads	17		
Flat Steel Anchor Long	10	Load Testing Anchor	12		
Flat Steel Anchor Short	9	Lockable Suspension Fitting for Ladder	49		
Folding seats	78				
Folding Tripod Chair	153				

S

Safeline Configuration and Accessories	123
SafeLine MX3+	121
SafeLine SL6	122
Safe Space Mats	140
Safety-Barriers	31
Scaffolding Socket	35
Shaft Door Apron	58
Shaft Partitions	62
Shaft wall covering	59
Sheet Metal for Floors	152
SHEV Operating Panel / Emergency Push Button	74
Signs, Labels, Warning Notices	139
Sill Angle	152
Sliding Plates for Guide Rails	150
Small Tools for Fitters	153
Stainless Steel Frame for LED Acrylic Glass	91
Standard Ladders And Scaffolds	55
Sticker Hygiene	144
Stingl Safety Door	29
Straight Handrails from Wall to Wall	136
Straight Handrails with Brackets	135
Surface fixed channels HM	23
Switch Curve With Final Limit Switch	64

T

Telescopic Beams	28
Telescopic Car Apron / Toe Guard	57
Telescopic combination ladder	55
Telescopic Ladder	55
Telescopic Rod	151
Telescopic Work Platform Stingl-mobil PANO	38
Telescopic Work Platform Stingl-mobil SERVICE	40
Tensioning-Weight Switch Kit	63
T-Head And Hammer-Head Bolts	24
Three-Part Telescopic Apron	58
Three-Sided Fixed Car Guard Rails	65
Three-Sided Telescopic Guard Rails	66
Trolley With Quick Fold System	151

U

Universal Floor Edging	64
Universal Scaffolding Shoe	36
Universal Scaffolding Shoe for Steel Shafts	37
Universal Scaffolding Shoe Revolving	37
UVC Ventilation for elevator cabins	143

V

Ventilation and smoke extraction hood / JK	75
Ventilation and Smoke Extraction Hood / JK Flap	74
Ventilation Grille Aluminium	75
VG Rope Brake	155

W

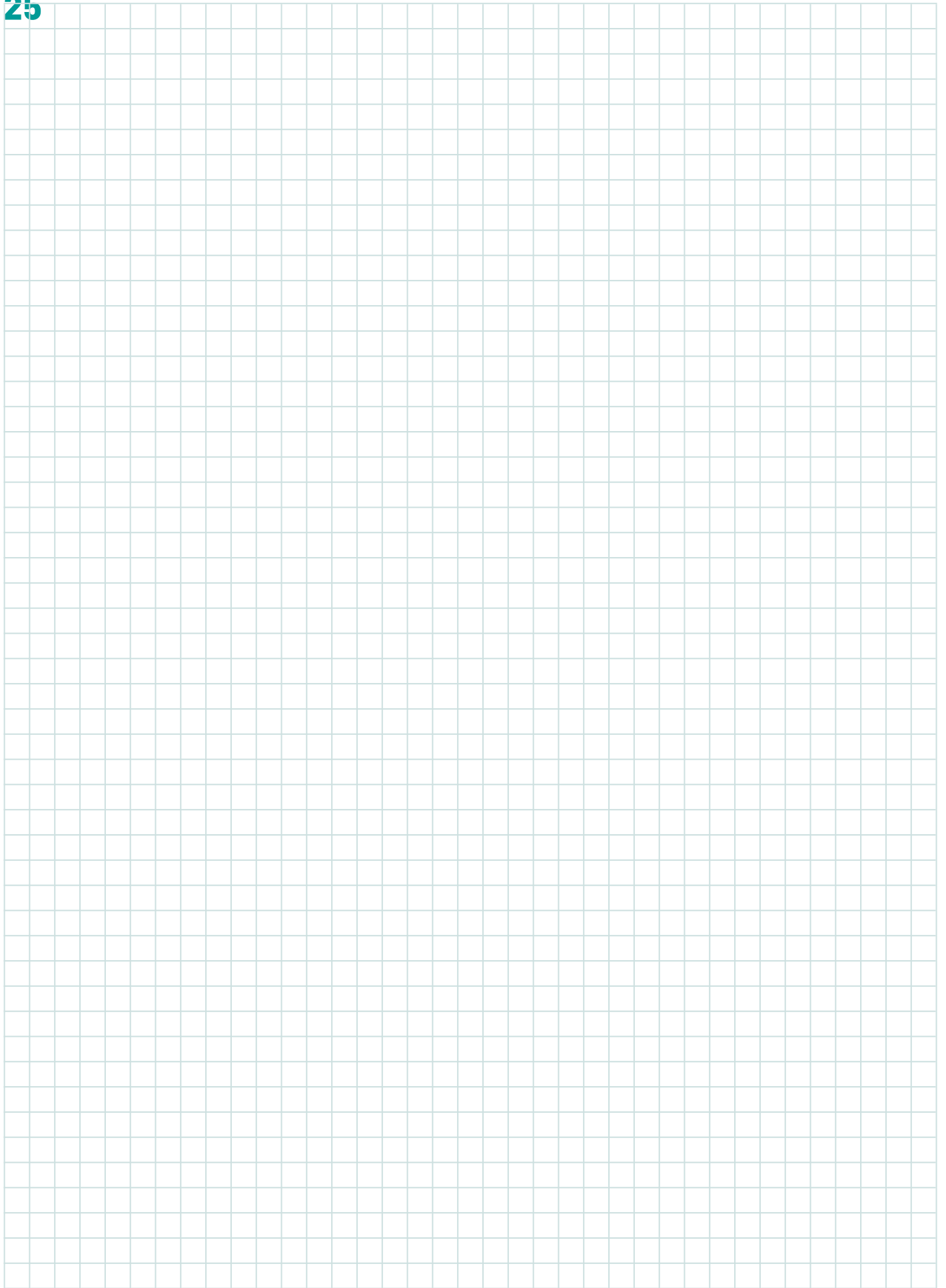
Waved Anchor	9
Wedge Clamps for Lift Cables	102
Wire Rope Traction Hoists	117
Work Tent	115

Z

Zauberwatte®	110
--------------	-----



IN CASE YOU DO NOT FIND AN ITEM JUST CALL US: +49 (0) 7134/13797-13



- This catalogue was put together with the utmost care. Nevertheless, it might still contain errors. We assume no liability for these mistakes.
- The content of this catalogue was up to date at the time of going to print. The information contained in the catalogue may go out of date as we improve our products.
- This catalogue provides non-binding general information, and should not be used as a substitute for a detailed individual consultation.
- This catalogue may only be reproduced, in whole or in part, with the express consent of Stingl GmbH.
- Images provided by: iStockphoto, Adobestock, Shutterstock, Stingl GmbH, DSG1 GmbH, D+H Mechatronic AG, et al.
- Concept, design and production: DSG1 GmbH, Gottlieb-Daimler-Str. 9, 74076 Heilbronn, Germany, www.dsg1.de

Stingl Systems GmbH
Dimbacher Strasse 25
D-74182 Obersulm-Willsbach
Germany

Phone +49 (0) 7134 / 13797-13
Fax +49 (0) 7134 / 13797-11

www.stinglonline.de
export@stinglonline.de
<https://shop.stinglonline.de>