



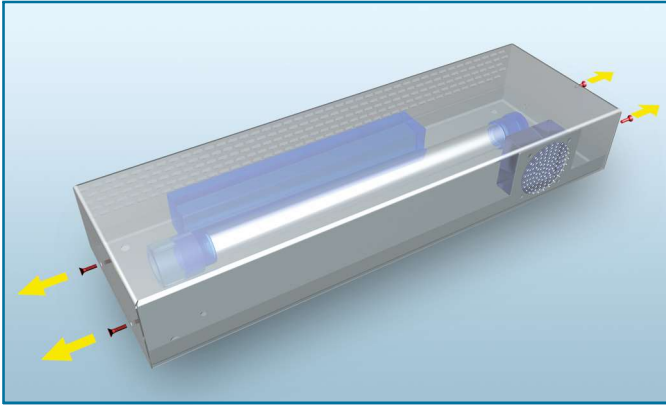
Stingl Systems GmbH  
Dimbacher Strasse 25  
74182 Obersulm  
+49 (0) 7134 / 13797-13  
export@stinglonline.de  
www.stinglonline.de

# Pro Tech Air

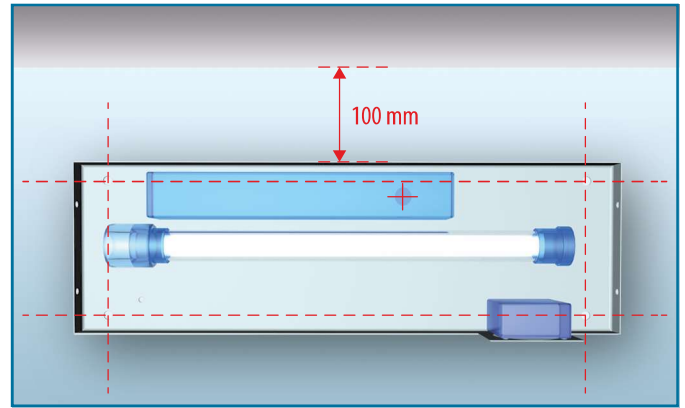
**UVC  
Ventilation**

**Instructions  
Manual**

## 1 Disassembling the UV lamp and preparation for installation

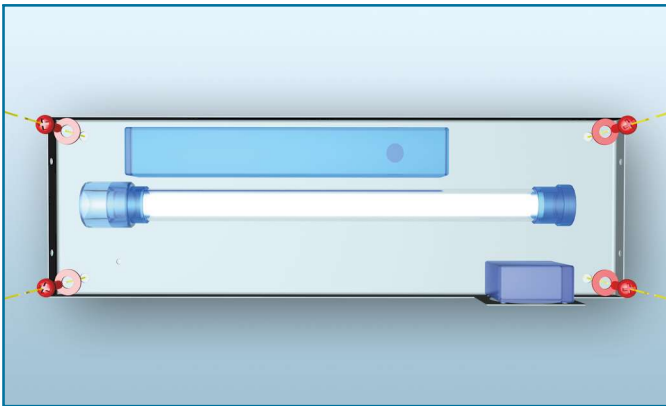


Disassemble the UV lamp by unscrewing the four bolts on both sides of the housing.



Use the back cover to mark the mounting holes and the power cord hole on the cabin wall. Check the required distance of 100 mm between the UV lamp and the ceiling!

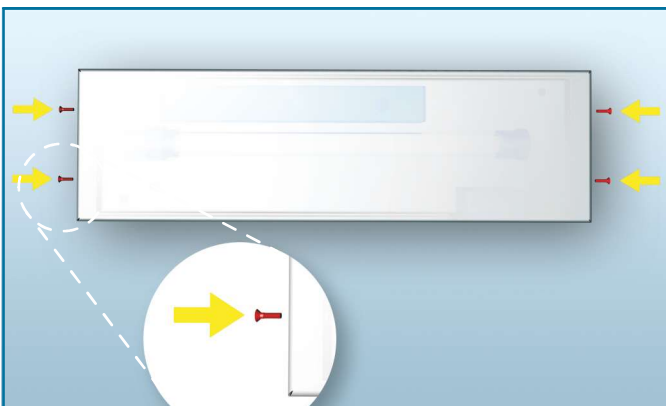
## 2 Mounting Backplate



Screw the UV lamp backplate to the cabin wall with the included fasteners.

Route the UV lamp power cord through the pre-drilled hole.

## 3 Reassembling and connection to the electrical installation



Reinstall the metal front cover of the UV lamp.

Screw the mounting bolts on both sides of the cover.

Connect the UV lamp power cord to the cabin ceiling 220V electrical system.

**Note:** Do not turn on the lamp before reinstalling the device front cover.

## Technical Information

Noise [dB]: <35  
Life expectancy of electronics: > 10 years  
Circulating air volume [m<sup>3</sup>/h]: 20  
Cable [m]: 1 (unconfected)  
Bulb: UVpro N20-4P  
Specification according to: EMV, CE, IP 54  
Rated voltage [V]: 220-240 (50/60 Hz)

Net weight [kg]: 1,5  
Power [W]: 21  
Dimensions (L x W x H) [mm]: 504 x 162 x 75  
Work temperature [C°]: 0 / +40  
Mounting: Wall or Ceiling of the cabin  
Bulb working life [h] 12.000 (75 % ±5 % output power )  
Case made of: AISI 304